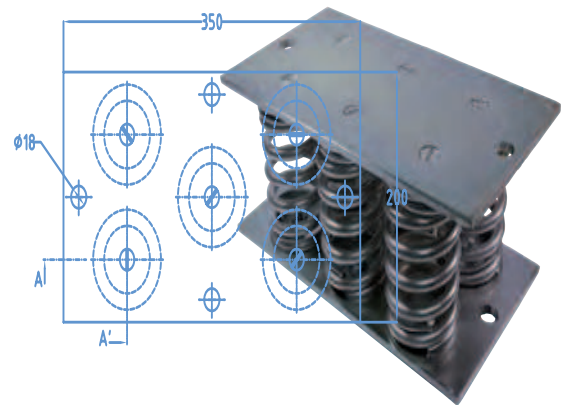
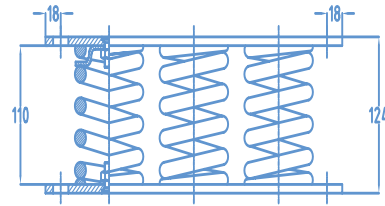
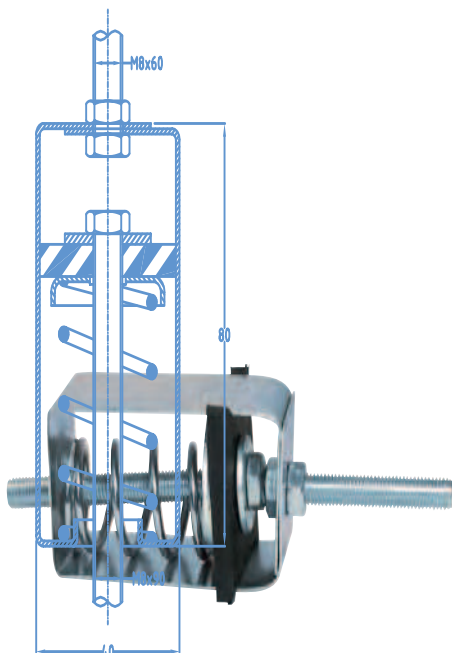


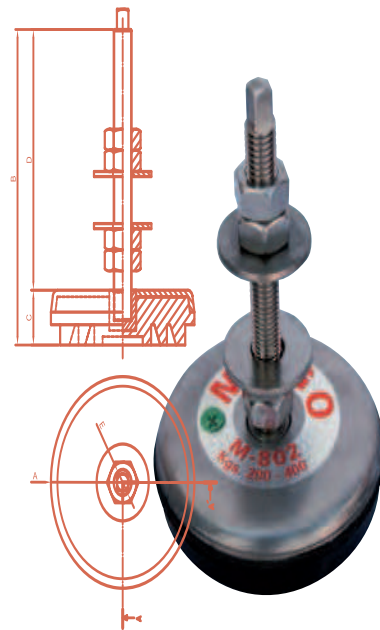
CAUCHO-METAL / RUBBER SILENT BLOCK
CAOUTCHOUC-METAL / GUMMI-METALL-
VERBINDUNGEN



ASLANTES METÁLICOS / SPRING ISOLATOR
ISOLANTS METALIQUES / FEDERISOLATOREN








SUSTAINERS / HANGER / SUSPENTES
SCHALLSCHUTZ-DECKENELEMENTE



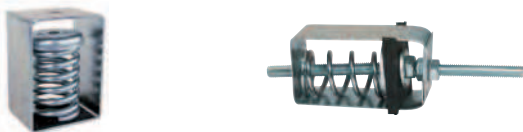



MAGO

Pie de máquina / Machine base Pied machine / Maschinenfüsse	
R80T30 / R80T35 / AS	
A / Kit / Pack	
SR	
SR	
MR	
MR	
HR	
HR	
R	
R	

TH				
TH				
TP				
SR-N / T / MR-N				
HR-N / R-N / TH-N				
SB53 / SH / SB / SBH				
B				
SCM				
SCM				
SCC				
LC				

SC	
Amortiguadores Antivibration Mounts Amortisseurs Schwingungsdämpfer	
Amortiguadores Antivibration Mounts Amortisseurs Schwingungsdämpfer	
Amortiguadores Antivibration Mounts Amortisseurs Schwingungsdämpfer	
RTK / OP	
RTP	
N T2 / M T2	
N (10 - 350 Kg.)	
2N / 3N / 4N (300 - 1400 Kg.)	
5N / 6N / 9N (750 - 3150 Kg.)	
M (25 - 550 Kg.)	

<p>2M / 3M / 4M (300 - 2200 Kg.)</p>	
<p>5M / 6M / 9M (750 - 4950 Kg.)</p>	
<p>M / 2M / 3M / 4M (500 - 3000 Kg.)</p>	
<p>5M / 6M / 9M (2500 - 6750 Kg.)</p>	
<p>4 ASMN / 6 ASMN</p>	
<p>HM / RM / HMB / HMBB</p>	
<p>Sustainer TM / TV</p>	
<p>Sustainer TVAD-DS / TVA TVAD10 / TVAR / TVAPL</p>	
<p>Sustainer TPA / TPB</p>	

M800 / M800 Inox / M700	
M600 (RÓTULA / ARTICULATED / ARTICULÉ / GELENKFÜß)	
M600 R / M600 T	
M940 / M950 / M	
M910 / M915/921	
M980 / M970	
M-400	
1000 Discobolo	
Stabren	
TP-M	
1100	



COMMERCIAL NAME / NOMBRE COMERCIAL	BUTYL rubber	NATURAL RUBBER	PERBUNAN	NEOPRENE	SBR	SILICONE	APTK rubber
INT. DESIGNATION / NOMBRE INTER.	IIR	NR	NBR	CR	SBR	VMQ/SI	EPDM/EPM
Hardness available / Durezas disponibles	Shore 40-85	Shore 25-95	Shore 25-95	Shore 30-90	Shore 35-95	Shore 40-80	Shore 30-90
Resistance to temperatures / Rest. a temperaturas	-40°C to +130°C	-40°C to +80°C	-40°C to +140°C	-30°C to +120°C	-30°C to +110°C	-70°C up to +180°C	-40°C up to +150°C
Short-time peak temperature / Picos cortos de temperatura	+150°C	+100°C	up to +160°C	up to +150°C	up to +150°C	up to +225°C	up to +180°C
Tensile strength in kp / sp.cm / Rest. a la tracción	170(17)	250(25)	250(25)	250(25)	250(25)	80(8)	200(20)
Tensile elongation in% / Alargamiento a la tracción	400 to 800	800	500	450	450	250	450
PROPIEDADES / PROPIEDADES - RESISTENCIAS							
Abrasion / Abrasión	good	good	very good	good	very good	moderate	good
Resistance to flex cracking / Rest. al agrietamiento por flexión	moderate	good	moderate	very good	good	bad	very good
Elongation-Tensile strength / Rest. a la tracción	good	excellent	good	good	good	bad	good
Flexibility / Flexibilidad	slight	excellent	good	good	good	good	good
Strength of structure / Rest. de la estructura	good	excellent	good	good	good	moderate	moderate
Resistance to light / Rest. a la luz	very good	bad	bad	very good	moderate	excellent	excellent
Resistance to oxidizing / Rest. a no oxidarse	very good	moderate	moderate	good	moderate	very good	excellent
Resistance to ozone / Rest. al ozono	very good	moderate	moderate	very good	moderate	excellent	excellent
Resistente to wear and tear / Rest. al desgaste	good	very good	very good	very good	very good	bad	good
Weathering effect / Rest. climatológica	very good	good	good	very good	good	excellent	excellent
RESISTENCIA A							
Lyes / Lejía	very good	good	good	very good	good	not suitable	excellent
Petrol / Petróleo	not suitable	not suitable	excellent	moderate	not suitable	not suitable	not suitable
Benzole / Benzol	not suitable	not suitable	bad	not suitable	not suitable	not suitable	not suitable
Foodstuffs / Productos alimenticios	suitable	suitable	suitable	suitable	suitable	excellently suitable	suitable
Solvents, aliphatic / Disolventes, alifáticos	not suitable	not suitable	very good	moderate	not suitable	not suitable	bad
Solvents, aromatic / Disolventes, aromáticos	not suitable	not suitable	conditional	moderate	not suitable	not suitable	not suitable
Solvents, halogene / Disolventes, halógeno	not suitable	not suitable	bad	bad	not suitable	not suitable	not suitable
Oils and greases / Aceites y grasas	not suitable	not suitable	excellent	good	not suitable	good	bad
Acids / Ácidos	very good	conditional	conditional	good	conditional	not suitable	very good
Water / Agua	good	good	good	very good	very good	good	very good

Not Suitable- No Apto
Bad- Malo

Suitable- Apto
Moderate- Moderado

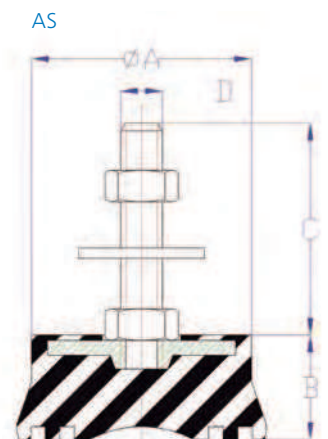
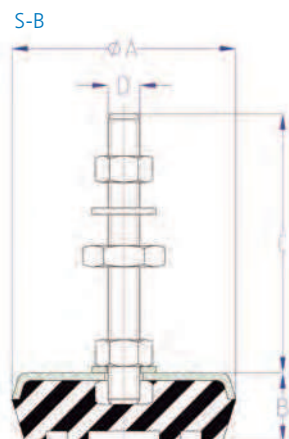
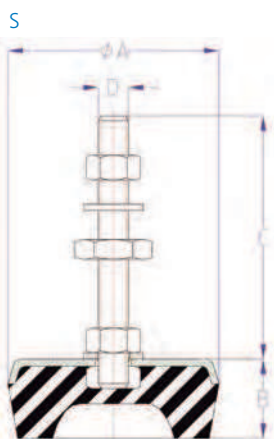
Very Good- Muy Buena
Good- Buena

Excellent- Excelente
Excellently suitable- Muy Apto



PIE DE MÁQUINA / MACHINE BASE / PIED MACHINE / MASCHINENFÜSSE

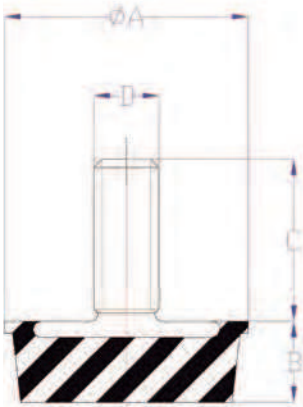
	REF / ART.NR	DIMENSIONES / DIMENSIONS ABMESSUNGEN				COMPRESION / COMPRESSION DRUCKBELASTUNG	
		ØA	B	D	C	CARGA / LOAD CHARGE / LAST	FLECHA / DEFLECTION FLECHE / FEDERWEG
		mm.				kg.	mm.
S	000	40	23	M-08	55	60	3,5±0,5
	00	60	28	M-10	80	160	4,0±1,0
	0	70	32	M-12	100	300	4,5±1,0
	1	85	30	M-12	100	500	4,5±1,0
	2	100	40	M-14	110	600	6,0±1,0
	3	120	50	M-16	120	900	7,5±1,0
	4	140	50	M-16	120	1.200	8,0±1,0
	5	160	60	M-16	120	1.750	9,0±1,0
	6	180	70	M-24	136	2.500	11,0±1,5
	7	205	75	M-24	136	3.500	12,0±2,0
<i>DUREZA / HARDNESS / DURETE / HÄRTE 60 SHÖRE</i>							
S-B	00-B	60	18	M-10	80	200	2,0±0,5
	0-B	70	20	M-12	100	350	2,0±0,5
	1-B	85	25	M-12	100	600	2,2±0,5
	2-B	100	20	M-14	110	800	2,5±0,5
	3-B	120	25	M-16	120	1.100	2,5±0,5
	4-B	140	33	M-16	120	2.000	3,5±0,5
5-B	160	31	M-16	120	3.000	4,0±1,0	
<i>DUREZA / HARDNESS / DURETE / HÄRTE 70 SHÖRE</i>							
AS	AS4020-60SH	40	20	M-08	40	90	4,0±0,5
	AS5020-45SH	52	20	M-10	70	180	4,0±1,0
	AS6020-60SH	52	20	M-10	70	275	4,0±1,0
	AS6520-75SH	52	20	M-12	90	750	4,0±1,0
	AS7526-60SH	69	26	M-12	80	330	5,0±1,0
	AS8026-75SH	69	26	M-12	80	550	5,0±1,0



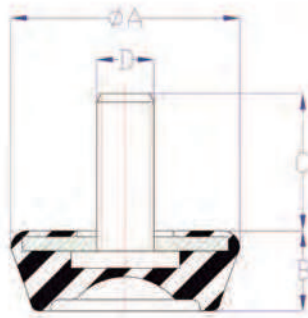
R80T30 / R80T35 / AS

R80T	REF / ART.NR	DIMENSIONES / DIMENSIONS ABMESSUNGEN					COMPRESION / COMPRESSION DRUCKBELASTUNG		
	TUBOØ	A	H	L	M	R	CARGA / LOAD CHARGE / LAST	FLECHA / DEFLECTION FLECHE / FEDERWEG	
	mm.					kg.	mm.		
	R80T30EPDM50	30	28	73	55	M-08	15,0	33	2,8±0,5
	R80T35EPDM50	35	28	70	56	M-08	17,5	26	2,2±0,5
<i>DUREZA / HARDNESS / DURETE / HÄRTE 50 SHÖRE</i>									
AS	REF / ART.NR	DIMENSIONES / DIMENSIONS ABMESSUNGEN				COMPRESION / COMPRESSION DRUCKBELASTUNG			
	ØA	B	D	C	CARGA / LOAD CHARGE / LAST	FLECHA / DEFLECTION FLECHE / FEDERWEG			
	mm.				kg.	mm.			
		AS-29	30	10	M-08	20	60	1,5±0,5	
		AS-39	40	15	M-10	25	60	2,0±0,5	
	AS-40	40	25	M-10	25	90	4,0±0,5		
	AS-55	55	30	M-10	50	150	4,5±0,5		
<i>DUREZA / HARDNESS / DURETE / HÄRTE 60 SHÖRE</i>									

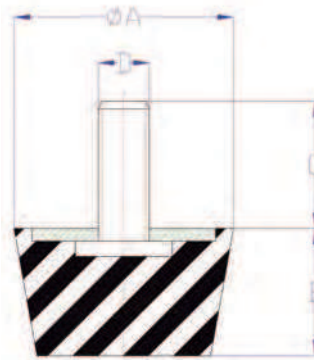
AS29



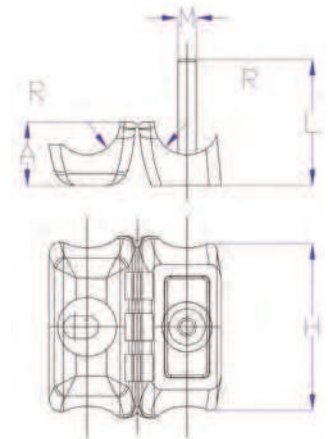
AS39



AS40-55



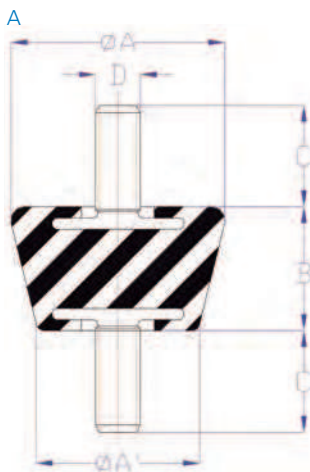
R80T



A / KIT / PACK

	REF / ART.NR	DIMENSIONES / DIMENSIONS ABMESSUNGEN					COMPRESION / COMPRESSION DRUCKBELASTUNG		
		Ø A	Ø A¹	B	D	C	CARGA / LOAD CHARGE / LAST	FLECHA / DEFLECTION FLECHE / FEDERWEG	
		mm.					kg.	mm.	
	A35B	38	28	22	M-08	20	50	5,0±0,5	
	A35	38	28	22	M-08	20	100	5,0±0,5	
	A45B	45	32	30	M-08	20	65	6,0±1,0	
	A45	45	32	30	M-08	20	115	6,0±1,0	
	A35B PACK								
	A35 PACK								
	A45 PACK								
	AS4020BT								
	AS5020BT								
	AS6020BT								
	AS6520BT								
	AS7526BT								
R80T	REF / ART.NR	DIMENSIONES / DIMENSIONS ABMESSUNGEN					COMPRESION / COMPRESSION DRUCKBELASTUNG		
		TUBOØ	A	H	L	M	R	CARGA / LOAD CHARGE / LAST	FLECHA / DEFLECTION FLECHE / FEDERWEG
		mm.					kg.	mm.	
	R80T30PACK	30	28	73	55	M-08	15,0		
	R80T35PACK	35	28	70	56	M-08	17,5		

DUREZA / HARDNESS / DURETE / HÄRTE 50 SHÖRE



A35PACK



R80T30PACK



SR3015



AS4020BT

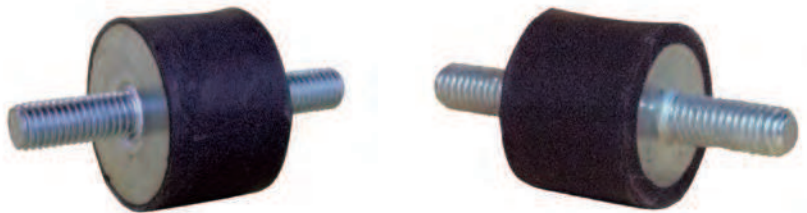
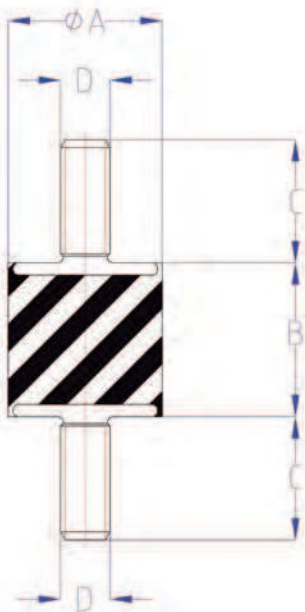
*Otras referencias y personalización de bolsas bajo consulta

*Other references and customizing if required

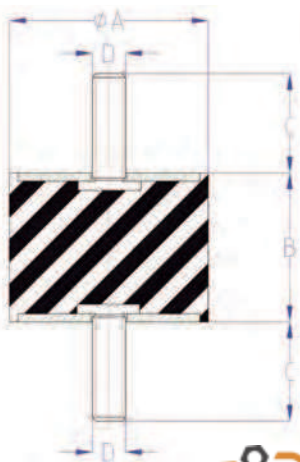
*D'autres références et personnalisation sous demande

*Kundenspezifische Packs auf Anfrage

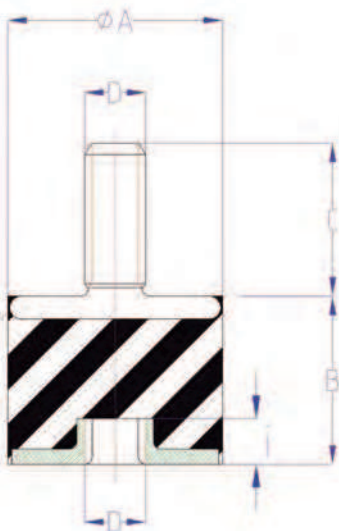
SR	REF / ART.NR		DIMENSIONES / DIMENSIONS ABMESSUNGEN				COMPRESION / COMPRESSION DRUCKBELASTUNG		CIZALLA / SHEAR CISAILLEMENT / SCHERKRAFT	
		Sh	ØA	B	D	C	CARGA / LOAD CHARGE / LAST	FLECHA / DEFLECTION FLECHE / FEDERWEG	CARGA / LOAD CHARGE / LAST	FLECHA / DEFLECTION FLECHE / FEDERWEG
	mm.						kg.	mm.	kg.	mm.
SR 1215	60	12	15	M-05	10	15	3,0±0,5	1,5	2,0±0,5	
SR 1610	60	16	10	M-05	12	20	1,5±0,5	2	2,0±0,5	
SR 1615	60	16	15	M-05	12	15	2,5±0,5	2	3,0±0,5	
SR 1620	60	16	20	M-05	12	15	3,5±0,5	2	4,0±0,5	
SR 1625	60	16	25	M-05	12	15	4,5±1,0	2	5,0±1,0	
SR 2008	60	20	08	M-06	15	45	1,0±0,3	4,5	1,5±0,3	
SR 2015	60	20	15	M-06	15	35	3,0±0,5	3,5	3,0±0,5	
SR 2020	60	20	20	M-06	15	25	4,0±1,0	2,5	4,0±0,5	
SR 2025	60	20	25	M-06	15	25	5,0±1,0	2,5	5,0±1,0	
SR 2030	60	20	30	M-06	15	25	6,0±1,0	2,5	6,0±1,0	
SR 2510	50	25	10	M-08	20	80	2,0±0,5	8	2,0±0,5	
SR 2515	50	25	15	M-08	20	60	3,0±0,5	8	3,0±0,5	
SR 2520	50	25	20	M-08	20	45	4,0±0,5	8	4,0±0,5	
SR 2525	50	25	25	M-08	20	40	5,0±1,0	6	5,0±1,0	
SR 2530	50	25	30	M-08	20	40	6,0±1,0	5	6,0±1,0	
SR 2540	50	25	40	M-08	20	40	8,0±1,0	5	8,0±1,0	
SR 2822	50	28	22	M-08	20	60	5,0±1,0	11	5,0±1,0	
SR 3010	50	30	10	M-08	20	80	2,0±0,5	11	2,0±0,5	
SR 3015	50	30	15	M-08	20	80	3,0±0,5	11	3,0±0,5	
SR 3020	50	30	20	M-08	20	80	4,0±0,5	11	4,0±0,5	
SR 3030	50	30	30	M-08	20	60	6,0±1,0	11	6,0±1,0	
SR 3040	50	30	40	M-08	20	60	8,0±1,0	11	8,0±1,0	



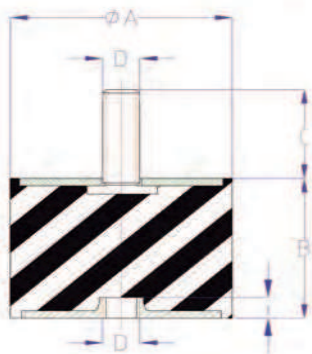
SR	REF / ART.NR		DIMENSIONES / DIMENSIONS ABMESSUNGEN				COMPRESION / COMPRESSION DRUCKBELASTUNG		CIZALLA / SHEAR CISAILLEMENT / SCHERKRAFT	
		Sh	ØA	B	D	C	CARGA / LOAD CHARGE / LAST	FLECHA / DEFLECTION FLECHE / FEDERWEG	CARGA / LOAD CHARGE / LAST	FLECHA / DEFLECTION FLECHE / FEDERWEG
	mm.						kg.	mm.	kg.	mm.
SR 4020M8X20	50	40	20	M-08	20	160	4,0±0,5	20	4,0±0,5	
SR 4020	50	40	20	M-10	25	160	4,0±0,5	20	4,0±0,5	
SR 4028M8X30	50	40	28	M-08	30	100	5,5±1,0	16	5,5±1,0	
SR 4028M8X20	50	40	28	M-08	20	100	5,5±1,0	16	5,5±1,0	
SR 4028	50	40	28	M-10	25	100	5,5±1,0	16	5,5±1,0	
SR 4035	50	40	35	M-10	25	100	7,0±1,0	16	7,0±1,0	
SR 4040M8X20	50	40	40	M-08	20	100	8,0±1,0	16	8,0±1,0	
SR 4040	50	40	40	M-10	25	100	8,0±1,0	16	8,0±1,0	
SR 4045	50	40	45	M-10	25	100	9,0±1,0	16	9,0±1,0	
SR 5020	50	50	20	M-10	25	300	4,0±0,5	25	4,0±0,5	
SR 5025	50	50	25	M-10	25	175	5,0±1,0	25	5,0±1,0	
SR 5030	50	50	30	M-10	25	160	6,0±1,0	25	6,0±1,0	
SR 5035	50	50	35	M-10	25	160	7,0±1,0	25	7,0±1,0	
SR 5040	50	50	40	M-10	25	155	8,0±1,0	25	8,0±1,0	
SR 5045	50	50	45	M-10	25	150	9,0±1,0	25	9,0±1,0	
SR 5060	50	50	60	M-10	25	130	12,0±1,5	25	12,0±1,5	
SR 6025	50	60	25	M-10	25	400	5,0±1,0	35	5,0±1,0	
SR 6035	50	60	35	M-10	25	300	7,0±1,0	35	7,0±1,0	
SR 6045	50	60	45	M-10	25	250	9,0±1,0	35	9,0±1,0	
SR 6060	50	60	60	M-10	25	225	12,0±1,5	35	12,0±1,5	
SR 7035M10X25	50	70	35	M-10	25	450	7,0±1,0	55	7,0±1,0	
SR 7040M10X25	50	70	40	M-10	25	400	8,0±1,0	70	8,0±1,0	
SR 7050M10X25	50	70	50	M-10	25	300	10,0±1,0	35	10,0±1,0	
SR 7070M10X25	50	70	70	M-10	25	300	14,0±1,5	35	14,0±1,5	
SR 7035	50	70	35	M-12	33	450	7,0±1,0	55	7,0±1,0	
SR 7040	50	70	40	M-12	33	400	8,0±1,0	70	8,0±1,0	
SR 7050	50	70	50	M-12	33	300	10,0±1,0	35	10,0±1,0	
SR 7070	50	70	70	M-12	33	300	14,0±1,5	35	14,0±1,5	
SR 8030	50	80	30	M-14	35	950	6,0±1,0	100	6,0±1,0	
SR 8040	50	80	40	M-14	35	600	8,0±1,0	80	8,0±1,0	
SR 8055	50	80	55	M-14	35	500	11,0±1,5	70	11,0±1,5	
SR 9525	60	95	25	M-16	42	1800	5,0±1,0	80	5,0±1,0	
SR 9540	50	95	40	M-16	42	1000	8,0±1,0	140	8,0±1,0	
SR 15075	50	150	75	M-20	50	1800	15,0±2,0	275	15,0±2,0	



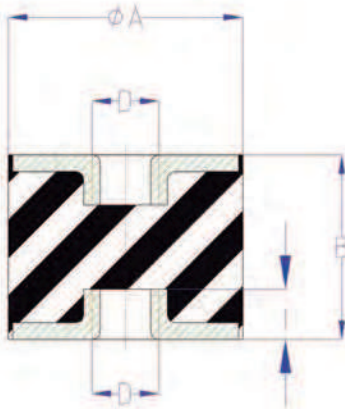
MR	REF / ART.NR		DIMENSIONES / DIMENSIONS ABMESSUNGEN					COMPRESION / COMPRESSION DRUCKBELASTUNG		CIZALLA / SHEAR CISAILLEMENT / SCHERKRAFT	
		Sh	ØA	B	D	C	I	CARGA / LOAD CHARGE / LAST	FLECHA / DEFLECTION FLECHE / FEDERWEG	CARGA / LOAD CHARGE / LAST	FLECHA / DEFLECTION FLECHE / FEDERWEG
	mm.							kg.	mm.	kg.	mm.
	MR 1610	60	16	10	M-05	12	5	20	1,5±0,5	2	2,0±0,5
	MR 1615	60	16	15	M-05	12	5	15	2,5±0,5	2	3,0±0,5
	MR 1620	60	16	20	M-05	12	5	15	3,5±1,0	2	4,0±0,5
	MR 1625	60	16	25	M-05	12	5	15	4,5±1,0	2	5,0±0,5
	MR 2015	60	20	15	M-06	15	5	35	3,0±0,5	3,5	3,0±0,5
	MR 2020	60	20	20	M-06	15	5	30	4,0±1,0	2,5	4,0±0,5
	MR 2025	60	20	25	M-06	15	5	25	5,0±1,0	2,5	5,0±1,0
	MR 2030	60	20	30	M-06	15	5	25	6,0±1,0	2,5	6,0±1,0
	MR 2520	50	25	20	M-08	20	6	50	4,0±0,5	8	4,0±0,5
	MR 2525	50	25	25	M-08	20	6	45	5,0±1,0	6	5,0±1,0
	MR 2530	50	25	30	M-08	20	6	40	6,0±1,0	5	6,0±1,0
	MR 2540	50	25	40	M-08	20	6	40	8,0±1,0	5	8,0±1,0
	MR 2822	50	28	22	M-08	20	6	60	5,0±1,0	11	5,0±1,0
	MR 3015	50	30	15	M-08	20	6	80	3,0±0,5	11	3,0±0,5
	MR 3020	50	30	20	M-08	20	6	80	4,0±0,5	11	4,0±0,5
	MR 3030	50	30	30	M-08	20	6	60	6,0±1,0	11	6,0±1,0
	MR 3040	50	30	40	M-08	20	6	60	8,0±1,0	11	8,0±1,0



MR	REF / ART.NR		DIMENSIONES / DIMENSIONS ABMESSUNGEN				COMPRESION / COMPRESSION DRUCKBELASTUNG		CIZALLA / SHEAR CISAILLEMENT / SCHERKRAFT		
		Sh	ØA	B	D	C	I	CARGA / LOAD CHARGE / LAST	FLECHA / DEFLECTION FLECHE / FEDERWEG	CARGA / LOAD CHARGE / LAST	FLECHA / DEFLECTION FLECHE / FEDERWEG
	mm.							kg.	mm.	kg.	mm.
MR 4020M8X20	50	40	20	M-08	20	6	175	4,0±0,5	20	4,0±0,5	
MR 4020	50	40	20	M-10	25	7	175	4,0±0,5	20	4,0±0,5	
MR 4028M8X30	50	40	28	M-08	30	6	125	5,5±1,0	16	5,5±1,0	
MR 4028M8X20	50	40	28	M-08	20	6	125	5,5±1,0	16	5,5±1,0	
MR 4028	50	40	28	M-10	25	7	125	5,5±1,0	16	5,5±1,0	
MR 4035	50	40	35	M-10	25	7	100	7,0±1,0	16	7,0±1,0	
MR 4040M8X20	50	40	40	M-08	20	6	100	8,0±1,0	16	8,0±1,0	
MR 4040	50	40	40	M-10	25	7	100	8,0±1,0	16	8,0±1,0	
MR 4045	50	40	45	M-10	25	7	100	9,0±1,0	16	9,0±1,0	
MR 5020	50	50	20	M-10	25	7	300	4,0±0,5	25	4,0±0,5	
MR 5025	50	50	25	M-10	25	7	175	5,0±1,0	25	5,0±1,0	
MR 5030	50	50	30	M-10	25	7	160	6,0±1,0	25	6,0±1,0	
MR 5035	50	50	35	M-10	25	7	160	7,0±1,0	25	7,0±1,0	
MR 5040	50	50	40	M-10	25	7	155	8,0±1,0	25	8,0±1,0	
MR 5045	50	50	45	M-10	25	7	150	9,0±1,0	25	9,0±1,0	
MR 5060	50	50	60	M-10	25	7	130	12,0±1,5	25	12,0±1,5	
MR 6025	50	60	25	M-10	25	7	400	5,0±1,0	35	5,0±1,0	
MR 6035	50	60	35	M-10	25	7	300	7,0±1,0	35	7,0±1,0	
MR 6045	50	60	45	M-10	25	7	250	9,0±1,0	35	9,0±1,0	
MR 6060	50	60	60	M-10	25	7	225	12,0±1,5	35	12,0±1,5	
MR 7035M10X25	50	70	35	M-10	25	9	450	7,0±1,0	55	7,0±1,0	
MR 7040M10X25	50	70	40	M-10	25	9	400	8,0±1,0	70	8,0±1,0	
MR 7050M10X25	50	70	50	M-10	25	9	300	10,0±1,0	35	10,0±1,0	
MR 7070M10X25	50	70	70	M-10	25	9	300	14,0±1,5	35	14,0±1,5	
MR 7035	50	70	35	M-12	33	10	450	7,0±1,0	55	7,0±1,0	
MR 7040	50	70	40	M-12	33	10	400	8,0±1,0	70	8,0±1,0	
MR 7050	50	70	50	M-12	33	10	300	10,0±1,0	35	10,0±1,0	
MR 7070	50	70	70	M-12	33	10	300	14,0±1,5	35	14,0±1,5	
MR 7525	50	75	25	M-12	33	10	650	5,0±1,0	80	5,0±1,0	
MR 7555	50	75	55	M-12	33	10	400	11,0±1,0	75	11,0±1,5	
MR 8030	50	80	30	M-14	35	11	950	6,0±1,0	100	6,0±1,0	
MR 8040	50	80	40	M-14	35	11	600	8,0±1,0	80	8,0±1,0	
MR 8055	50	80	55	M-14	35	11	500	11,0±1,5	70	11,0±1,5	
MR 9540	50	95	40	M-16	42	14	1000	8,0±1,0	140	8,0±1,0	
MR 15075	50	150	75	M-20	50	20	1800	15,0±2,0	275	15,0±2,0	

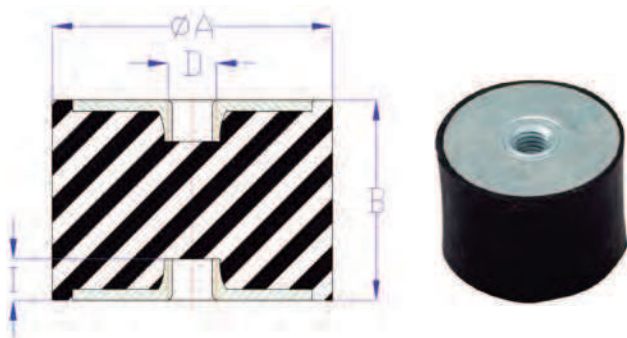


HR	REF / ART.NR		DIMENSIONES / DIMENSIONS ABMESSUNGEN				COMPRESION / COMPRESSION DRUCKBELASTUNG		CIZALLA / SHEAR CISAILLEMENT / SCHERKRAFT	
		Sh	ØA	B	D	l	CARGA / LOAD CHARGE / LAST	FLECHA / DEFLECTION FLECHE / FEDERWEG	CARGA / LOAD CHARGE / LAST	FLECHA / DEFLECTION FLECHE / FEDERWEG
	mm.						kg.	mm.	kg.	mm.
	HR 1615	60	16	15	M-05	5	15	2,5±0,5	2	2,0±0,5
	HR 1620	60	16	20	M-05	5	15	3,5±0,5	2	4,0±0,5
	HR 1625	60	16	25	M-05	5	15	4,5±1,0	2	5,0±1,0
	HR 2015	60	20	15	M-06	5	40	2,0±0,5	3,5	3,0±0,5
	HR 2020	60	20	20	M-06	5	30	4,0±1,0	2,5	4,0±0,5
	HR 2025	60	20	25	M-06	5	30	5,0±1,0	2,5	5,0±1,0
	HR 2030	60	20	30	M-06	5	25	6,0±1,0	2,5	6,0±1,0
	HR 2520	50	25	20	M-08	6	50	4,0±0,5	8	4,0±0,5
	HR 2525	50	25	25	M-08	6	45	5,0±1,0	6	5,0±1,0
	HR 2530	50	25	30	M-08	6	40	6,0±1,0	5	6,0±1,0
	HR 2540	50	25	40	M-08	6	40	8,0±1,0	5	8,0±1,0
	HR 2822	50	28	22	M-08	6	60	4,5±1,0	11	5,0±1,0
	HR 3020	50	30	20	M-08	6	80	4,0±0,5	11	4,0±0,5
	HR 3030	50	30	30	M-08	6	60	6,0±1,0	11	6,0±1,0
	HR 3330	60	30	30	M-08	6	80	6,0±1,0	16	6,0±1,0
	HR 3040	50	30	40	M-08	6	60	8,0±1,0	11	8,0±1,0

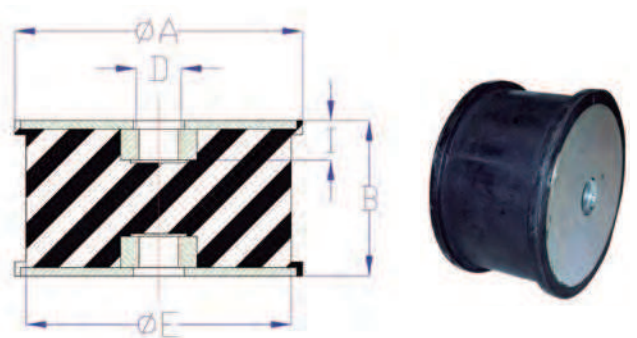


REF / ART.NR	DIMENSIONES / DIMENSIONS ABMESSUNGEN					COMPRESION / COMPRESSION DRUCKBELASTUNG		CIZALLA / SHEAR CISAILLEMENT / SCHERKRAFT	
	Sh	ØA	B	D	l	CARGA / LOAD CHARGE / LAST	FLECHA / DEFLECTION FLECHE / FEDERWEG	CARGA / LOAD CHARGE / LAST	FLECHA / DEFLECTION FLECHE / FEDERWEG
		mm.					kg.	mm.	kg.
HR 4020	50	40	20	M-10	7	175	4,0±0,5	20	4,0±0,5
HR 4028M8	50	40	28	M-08	6	125	5,5±1,0	16	5,5±1,0
HR 4028	50	40	28	M-10	7	125	5,5±1,0	16	5,5±1,0
HR 3430	60	40	30	M-08	6	200	6,0±1,0	40	6,0±1,0
HR 4035	50	40	35	M-10	7	100	7,0±1,0	16	7,0±1,0
HR 4040M8	50	40	40	M-08	6	100	8,0±1,0	16	8,0±1,0
HR 4040	50	40	40	M-10	7	100	8,0±1,0	16	8,0±1,0
HR 4045M8	50	40	45	M-08	6	100	9,0±1,0	16	9,0±1,0
HR 4045	50	40	45	M-10	7	100	9,0±1,0	16	9,0±1,0
HR 5020	50	50	20	M-10	7	300	4,0±0,5	25	4,0±0,5
HR 5025	50	50	25	M-10	7	175	5,0±1,0	25	5,0±1,0
HR 5030	50	50	30	M-10	7	160	6,0±1,0	25	6,0±1,0
HR 5035	50	50	35	M-10	7	160	7,0±1,0	25	7,0±1,0
HR 5040	50	50	40	M-10	7	155	8,0±1,0	25	8,0±1,0
HR 5045	50	50	45	M-10	7	150	9,0±1,0	25	9,0±1,0
HR 5060	50	50	60	M-10	7	130	12,0±1,5	25	12,0±1,5
HR 6025	50	60	25	M-10	7	400	5,0±1,0	35	5,0±1,0
HR 6035	50	60	35	M-10	7	300	7,0±1,0	35	7,0±1,0
HR 6045	50	60	45	M-10	7	250	9,0±1,0	35	9,0±1,0
HR 6060	50	60	60	M-10	7	225	12,0±1,5	35	11,0±1,5
HR 7035M10	50	70	35	M-10	9	450	7,0±1,0	55	7,0±1,0
HR 7040M10	50	70	40	M-10	9	400	8,0±1,0	70	8,0±1,0
HR 7050M10	50	70	50	M-10	9	300	10,0±1,0	35	10,0±1,0
HR 7070M10	50	70	70	M-10	9	300	14,0±1,5	35	14,0±1,5
HR 7035	50	70	35	M-12	10	450	7,0±1,0	55	7,0±1,0
HR 7040	50	70	40	M-12	10	400	8,0±1,0	70	8,0±1,0
HR 7050	50	70	50	M-12	10	300	10,0±1,0	35	10,0±1,0
HR 7070	50	70	70	M-12	10	300	14,0±1,5	35	14,0±1,5
HR 8030	50	80	30	M-14	11	950	6,0±1,0	100	6,0±1,0
HR 8040	50	80	40	M-14	11	600	8,0±1,0	80	8,0±1,0
HR 8055	50	80	55	M-14	11	500	11,0±1,5	70	11,0±1,5
HR 9540	50	95	40	M-16	14	1000	8,0±1,0	140	8,0±1,0
HR 102D45	45	102	55	M-16	14	500	11,0±1,5	100	11,0±1,5
HR 102D60	60	102	55	M-16	14	1000	11,0±1,5	200	11,0±1,5
HR 102D75	75	102	55	M-16	14	2500	11,0±1,5	350	11,0±1,5
HR 15075	50	150	75	M-20	20	1800	15,0±2,0	275	15,0±2,0

HR

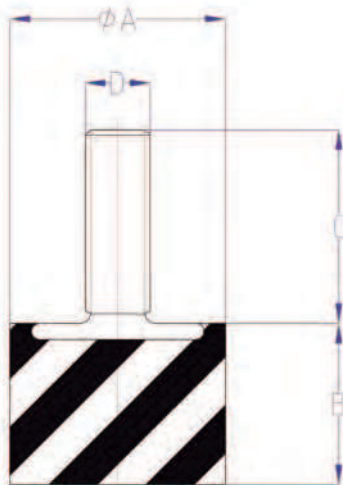


HR102



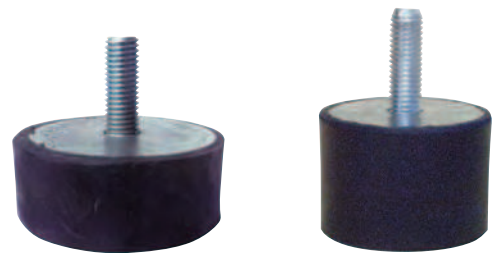
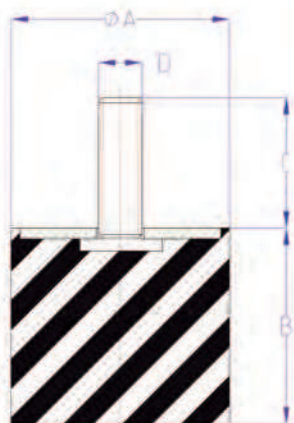
R

R	REF / ART.NR		DIMENSIONES / DIMENSIONS ABMESSUNGEN				COMPRESION / COMPRESSION DRUCKBELASTUNG	
		Sh	ØA	B	D	C	CARGA / LOAD CHARGE / LAST	FLECHA / DEFLECTION FLECHE / FEDERWEG
	mm.						kg.	mm.
	R 1215	60	12	15	M-05	10	15	3,0±0,5
	R 1610	60	16	10	M-05	12	20	1,5±0,5
	R 1615	60	16	15	M-05	12	15	2,5±0,5
	R 1620	60	16	20	M-05	12	15	3,5±0,5
	R 1625	60	16	25	M-05	12	15	4,5±1,0
	R 2008	60	20	08	M-06	15	45	1,6±0,5
	R 2015	60	20	15	M-06	15	35	3,0±0,5
	R 2020	60	20	20	M-06	15	25	4,0±1,0
	R 2025	60	20	25	M-06	15	25	5,0±1,0
	R 2030	60	20	30	M-06	15	25	6,0±1,0
	R 2510	50	25	10	M-08	20	50	2,0±0,5
	R 2515	50	25	15	M-08	20	40	3,0±0,5
	R 2520	50	25	20	M-08	20	40	4,0±0,5
	R 2525	50	25	25	M-08	20	40	5,0±1,0
	R 2530	50	25	30	M-08	20	40	6,0±1,0
	R 2540	50	25	40	M-08	20	40	8,0±1,0
	R 2822	50	28	22	M-08	20	60	5,0±1,0
	R 3010	50	30	10	M-08	20	80	2,0±0,5
	R 3015	50	30	15	M-08	20	80	3,0±0,5
	R 3020	50	30	20	M-08	20	80	4,0±0,5
	R 3030	50	30	30	M-08	20	60	6,0±1,0
	R 3040	50	30	40	M-08	20	60	8,0±1,0



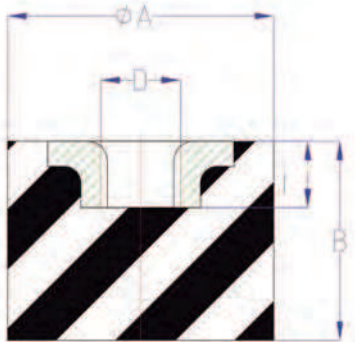
R

REF / ART.NR	DIMENSIONES / DIMENSIONS ABMESSUNGEN					COMPRESION / COMPRESSION DRUCKBELASTUNG	
	Sh	ØA	B	D	C	CARGA / LOAD CHARGE / LAST	FLECHA / DEFLECTION FLECHE / FEDERWEG
	mm.					kg.	mm.
R 4020M8X20	50	40	20	M-08	20	140	4,0±0,5
R 4020	50	40	20	M-10	25	140	4,0±0,5
R 4028M8X20	50	40	28	M-08	20	100	5,5±1,0
R 4028	50	40	28	M-10	25	100	5,5±1,0
R 4035	50	40	35	M-10	25	100	7,0±1,0
R 4040M8X20	50	40	40	M-08	20	100	8,0±1,0
R 4040	50	40	40	M-10	25	100	8,0±1,0
R 4045	50	40	45	M-10	25	90	9,0±1,0
R 5020	50	50	20	M-10	25	300	4,0±0,5
R 5025	50	50	25	M-10	25	175	5,0±1,0
R 5030	50	50	30	M-10	25	160	6,0±1,0
R 5035	50	50	35	M-10	25	160	7,0±1,0
R 5040	50	50	40	M-10	25	155	8,0±1,0
R 5045	50	50	45	M-10	25	150	9,0±1,0
R 5060	50	50	60	M-10	25	130	12,0±1,5
R 6025	50	60	25	M-10	25	400	5,0±1,0
R 6035	50	60	35	M-10	25	300	7,0±1,0
R 6045	50	60	45	M-10	25	250	9,0±1,0
R 6060	50	60	60	M-10	25	225	12,0±1,5
R 7035M10X25	50	70	35	M-10	25	450	7,0±1,0
R 7040M10X25	50	70	40	M-10	25	400	8,0±1,0
R 7050M10X25	50	70	50	M-10	25	300	10,0±1,0
R 7070M10X25	50	70	70	M-10	25	300	14,0±1,5
R 7035	50	70	35	M-12	33	450	7,0±1,0
R 7040	50	70	40	M-12	33	400	8,0±1,0
R 7050	50	70	50	M-12	33	300	10,0±1,0
R 7070	50	70	70	M-12	33	300	14,0±1,5
R 7525	50	75	25	M-12	33	650	5,0±1,0
R 8030	50	80	30	M-14	35	950	6,0±1,0
R 8040	50	80	40	M-14	35	600	8,0±1,0
R 8055	50	80	55	M-14	35	500	11,0±1,5
R 9525	60	95	25	M-16	42	1800	5,0±1,0
R 9540	50	95	40	M-16	42	1000	8,0±1,0

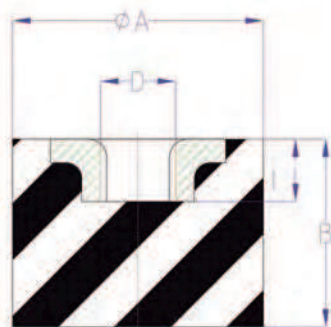


TH

TH	REF / ART.NR		DIMENSIONES / DIMENSIONS ABMESSUNGEN				COMPRESION / COMPRESSION DRUCKBELASTUNG	
		Sh	ØA	B	D	i	CARGA / LOAD CHARGE / LAST	FLECHA / DEFLECTION FLECHE / FEDERWEG
	mm.						kg.	mm.
TH 1610	60	16	10	M-05	5	20	1,5±0,5	
TH 1615	60	16	15	M-05	5	15	2,5±0,5	
TH 1620	60	16	20	M-05	5	15	3,5±1,0	
TH 1625	60	16	25	M-05	5	15	4,5±1,0	
TH 2008	60	20	08	M-06	5	45	1,6±0,5	
TH 2015	60	20	15	M-06	5	35	3,0±0,5	
TH 2020	60	20	20	M-06	5	25	4,0±1,0	
TH 2025	60	20	25	M-06	5	25	5,0±1,0	
TH 2030	60	20	30	M-06	5	25	6,0±1,0	
TH 2510	50	25	10	M-08	6	50	2,0±0,5	
TH 2515	50	25	15	M-08	6	40	3,0±0,5	
TH 2520	50	25	20	M-08	6	40	4,0±0,5	
TH 2525	50	25	25	M-08	6	40	5,0±1,0	
TH 2530	50	25	30	M-08	6	40	6,0±1,0	
TH 2540	50	25	40	M-08	6	40	8,0±1,0	
TH 2822	50	28	22	M-08	6	60	5,0±1,0	
TH 3010	50	30	10	M-08	6	80	2,0±0,5	
TH 3015	50	30	15	M-08	6	80	3,0±0,5	
TH 3020	50	30	20	M-08	6	80	4,0±0,5	
TH 3030	50	30	30	M-08	6	60	6,0±1,0	
TH 3040	50	30	40	M-08	6	60	8,0±1,0	

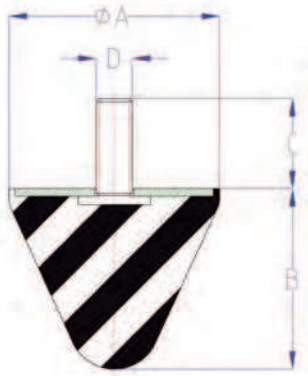


TH	REF / ART.NR		DIMENSIONES / DIMENSIONS ABMESSUNGEN				COMPRESION / COMPRESSION DRUCKBELASTUNG	
	Sh	ØA	B	D	i	CARGA / LOAD CHARGE / LAST	FLECHA / DEFLECTION FLECHE / FEDERWEG	
	mm.					kg.	mm.	
TH 4020M8	50	40	20	M-08	6	140	4,0±0,5	
TH 4020	50	40	20	M-10	7	140	4,0±0,5	
TH 4028M8	50	40	28	M-08	6	100	5,5±1,0	
TH 4028	50	40	28	M-10	7	100	5,5±1,0	
TH 4035	50	40	35	M-10	7	100	7,0±1,0	
TH 4040M8	50	40	40	M-08	6	100	8,0±1,0	
TH 4040	50	40	40	M-10	7	100	8,0±1,0	
TH 4045	50	40	45	M-10	7	90	9,0±1,0	
TH 5020	50	50	20	M-10	7	300	4,0±0,5	
TH 5025	50	50	25	M-10	7	175	5,0±1,0	
TH 5030	50	50	30	M-10	7	160	6,0±1,0	
TH 5035	50	50	35	M-10	7	160	7,0±1,0	
TH 5040	50	50	40	M-10	7	155	8,0±1,0	
TH 5045	50	50	45	M-10	7	150	9,0±1,0	
TH 5060	50	50	60	M-10	7	130	12,0±1,5	
TH 6025	50	60	25	M-10	7	400	5,0±1,0	
TH 6035	50	60	35	M-10	7	300	7,0±1,0	
TH 6045	50	60	45	M-10	7	250	9,0±1,0	
TH 6060	50	60	60	M-10	7	225	12,0±1,5	
TH 7035M10	50	70	35	M-10	9	450	7,0±1,0	
TH 7040M10	50	70	40	M-10	9	400	8,0±1,0	
TH 7050M10	50	70	50	M-10	9	300	10,0±1,0	
TH 7070M10	50	70	70	M-10	9	300	14,0±1,5	
TH 7035	50	70	35	M-12	10	450	7,0±1,0	
TH 7040	50	70	40	M-12	10	400	8,0±1,0	
TH 7050	50	70	50	M-12	10	300	10,0±1,0	
TH 7070	50	70	70	M-12	10	300	14,0±1,5	
TH 8030	50	80	30	M-14	11	950	6,0±1,0	
TH 8040	50	80	40	M-14	11	600	8,0±1,0	
TH 8055	50	80	55	M-14	11	500	11,0±1,5	
TH 9525	60	95	25	M-16	14	1800	5,0±1,0	
TH 9540	50	95	40	M-16	14	1000	8,0±1,0	

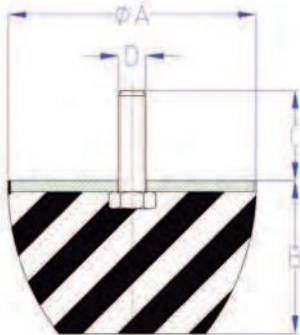


	REF / ART.NR		DIMENSIONES / DIMENSIONS ABMESSUNGEN				COMPRESION / COMPRESSION DRUCKBELASTUNG		CHOQUE / SHOCK CHOC / STOSS	
		Sh	ØA	B	D	C	CARGA / LOAD CHARGE / LAST	FLECHA / DEFLECTION FLECHE / FEDERWEG	CARGA / LOAD CHARGE / LAST	FLECHA / DEFLECTION FLECHE / FEDERWEG
			mm.				kg.	mm	kg.	mm.
TP-1	TP 25	60	25	20	M-08	20	40	4,0±0,5	100	8,0±2,0
	TP 30	60	30	30	M-06	15	50	6,0±1,0	140	12,0±2,0
	TP 30M8X20	60	30	30	M-08	20	50	6,0±1,0	140	12,0±2,0
	TP 5050M8X20	60	50	50	M-08	20	90	10,0±1,5	335	20,0±3,0
	TP 5050M10	60	50	50	M-10	25	90	10,0±1,5	335	20,0±3,0
	TP 5058M8X20	60	50	58	M-08	20	90	12,0±2,0	370	23,0±3,0
	TP 5058M10	60	50	58	M-10	25	90	12,0±2,0	370	23,0±3,0
	TP 5065M8X20	60	50	65	M-08	20	90	13,0±2,0	370	26,0±4,0
	TP 5065M10	60	50	65	M-10	25	90	13,0±2,0	370	26,0±4,0
	TP70	60	70	60	M-12	33	160	12,0±2,0	550	24,0±3,0
TP-2	TP95	60	95	80	M-16	42	350	16,0±2,0	1100	32,0±4,0
	TP85	60	84	53	M-12	33	375	11,0±2,0	1250	21,0±2,5
	TP96	60	95	47	M-16	42	675	9,0±1,0	1600	19,0±2,0
	TP120	75	120	75	M-16	42	2000	15,0±2,0	4500	30,0±4,0
	TP220	60	220	136	M-24	80	3800	27,0±3,0	10000	54,0±6,0

TP-1



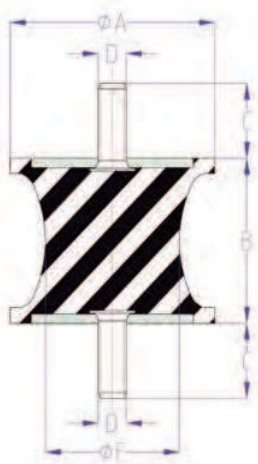
TP-2



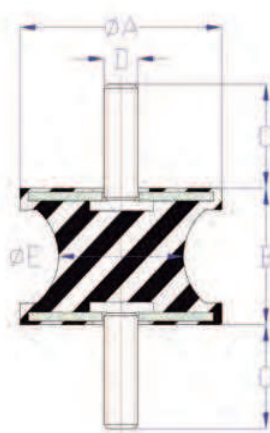
DIABOLOS

	REF / ART.NR		DIMENSIONES / DIMENSIONS ABMESSUNGEN						COMPRESION / COMPRESSION DRUCKBELASTUNG		CIZALLA / SHEAR CISAILLEMENT / SCHERKRAFT	
		Sh	ØA	B	ØE	D	C	I	CARGA / LOAD CHARGE / LAST	FLECHA / DEFLECTION FLECHE / FEDERWEG	CARGA / LOAD CHARGE / LAST	FLECHA / DEFLECTION FLECHE / FEDERWEG
	mm.								kg.	mm.	kg.	mm.
SR-N	SR 00-N	60	20	19	13	M-06	15		12	4,0±1,0	2	4,0±0,5
	SR 0NM8	50	40	28	20	M-08	30		40	5,5±1,0	7	5,5±1,0
	SR 0N	50	40	28	20	M-10	25		40	5,5±1,0	7	5,5±1,0
	SR 1N	50	57	44	24	M-08	20		70	8,5±1,0	10	8,5±1,0
	SR 2N	50	57	44	38	M-08	20		130	8,5±1,0	25	8,5±1,0
	SR 4N	50	60	60	48	M-10	25		150	10,0±1,0	20	12,0±1,5
	SR 5N	50	80	70	68	M-14	35		350	14,0±1,5	65	14,0±1,5
	SR 6N	50	95	76	76	M-16	42		450	15,0±2,0	75	15,0±2,0
	SR 7N	50	108	75	97	M-16	42		600	15,0±2,0	140	15,0±2,0
SR 8N	50	130	85	117	M-16	42		900	17,0±2,0	185	17,0±2,0	
T	3376	60	30	25	24	M-08	20		60	5,0±1,0	8	5,0±1,0
	3230	60	60	36	37	M-10	25		250	7,0±1,0	40	7,0±1,0
	3231	60	60	43	38	M-10	25		250	9,0±1,0	30	9,0±1,0
MR-N	MR 0NM8	50	40	28	20	M-08	30	6	40	5,5±1,0	7	5,5±1,0
	MR 0N	50	40	28	20	M-10	25	7	40	5,5±1,0	7	5,5±1,0
	MR 2N	50	57	44	38	M-08	25	6	130	8,5±1,0	25	8,5±1,0
	MR 4N	50	60	60	48	M-10	25	7	150	10,0±1,0	20	10,0±1,0
	MR 5N	50	80	70	68	M-14	35	11	350	14,0±1,5	65	14,0±1,5
	MR 6N	50	95	76	76	M-16	42	14	450	15,0±2,0	75	15,0±2,0
	MR 7N	50	108	75	97	M-16	42	14	600	15,0±2,0	140	15,0±2,0
	MR 8N	50	130	85	117	M-16	42	14	900	17,0±2,0	185	17,0±2,0

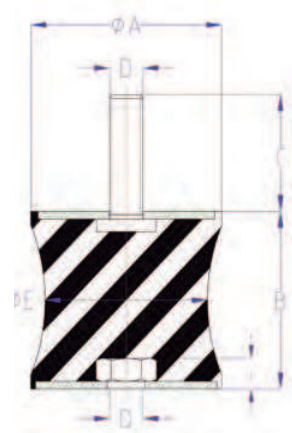
SR-N



T



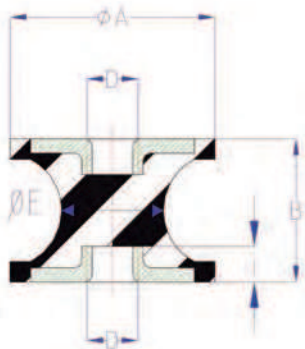
MR-N



DIABOLOS

	REF / ART.NR		DIMENSIONES / DIMENSIONS ABMESSUNGEN					COMPRESION / COMPRESSION DRUCKBELASTUNG		CIZALLA / SHEAR CISAILLEMENT / SCHERKRAFT		
		Sh	ØA	B	ØE	D	C	I	CARGA / LOAD CHARGE / LAST	FLECHA / DEFLECTION FLECHE / FEDERWEG	CARGA / LOAD CHARGE / LAST	FLECHA / DEFLECTION FLECHE / FEDERWEG
			mm.					kg.	mm.	kg.	mm.	
HR-N	HRONM8	50	40	28	20	M-08		6	40	5,5±1,0	7	5,5±1,0
	HR 0-N	50	40	28	20	M-10		7	40	5,5±1,0	7	5,5±1,0
	HR 2-N	50	57	44	38	M-08		6	130	8,5±1,0	25	8,5±1,0
	HR 4-N	50	60	60	48	M-10		7	150	10,0±1,0	20	12,0±1,0
	3617	60	70	58	52	M-12		10	350	11,0±1,0	70	11,0±1,0
	3356	60	80	65	72	M-12		10	600	13,0±1,5	120	13,0±1,5
	HR 5-N	50	80	70	68	M-14		11	350	14,0±1,5	65	14,0±1,5
	3866 RED	60	90	50	82	M-12		10	850	10,0±1,0	170	10,0±1,0
	3866	60	90	80	79	M-12		10	750	16,0±2,0	130	16,0±1,5
	HR 6-N	50	95	76	76	M-16		14	450	15,0±2,0	75	15,0±2,0
	3867	60	105	85	91	M-14		11	1200	17,0±2,0	240	17,0±2,0
	HR 7-N	50	108	75	97	M-16		14	600	15,0±2,0	140	15,0±2,0
	HR 8-N	50	130	85	117	M-16		14	900	17,0±2,0	185	17,0±2,0
3868	60	130	95	117	M-16		14	1800	19,0±2,0	320	19,0±2,0	
R-N	R 4-N	50	60	57	48	M-10	25		150	10,0±1,0		
	R 5-N	50	80	65	68	M-14	35		350	14,0±1,5		
	R 6-N	50	95	73	76	M-16	42		450	15,0±2,0		
TH-N	TH 4-N	50	60	58	48	M-10		7	150	10,0±1,0		
	TH 5-N	50	80	65	68	M-14		11	350	14,0±1,5		
	TH 6-N	50	95	73	76	M-16		14	450	15,0±2,0		

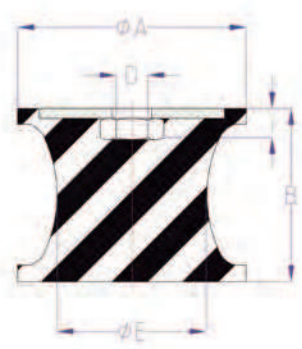
HR-N



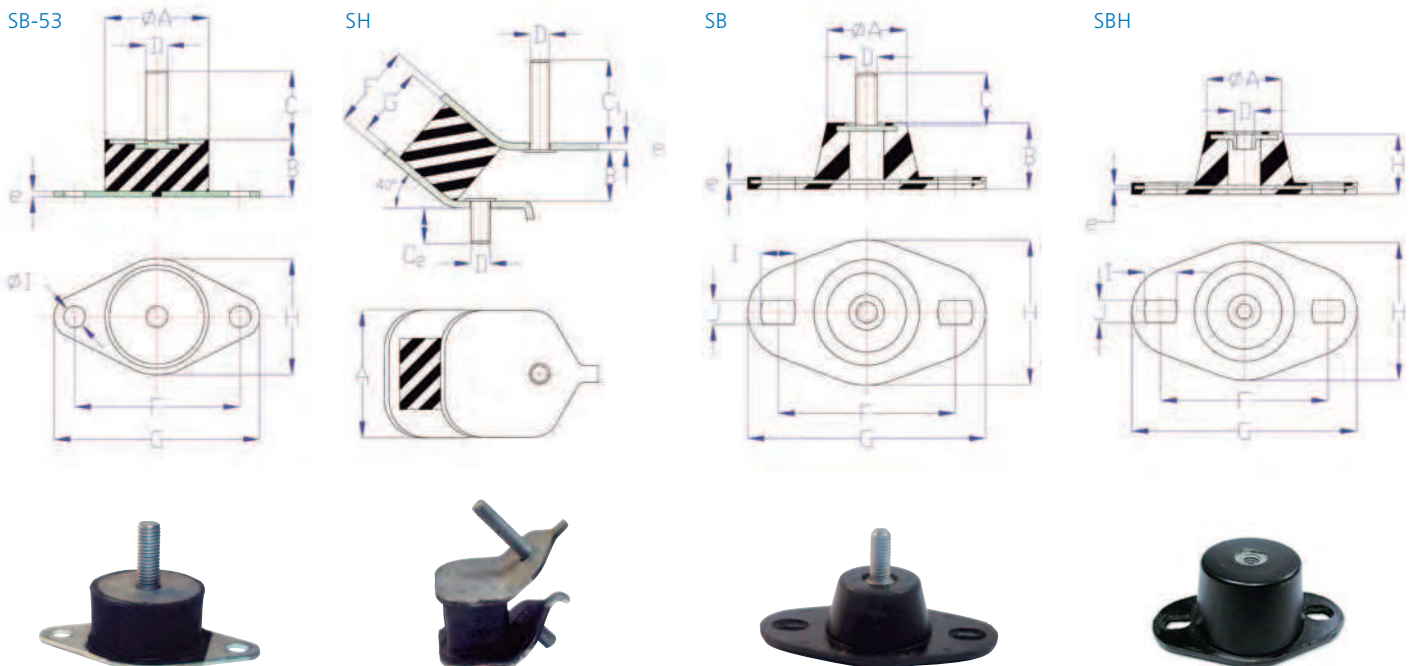
R-N



TH-N

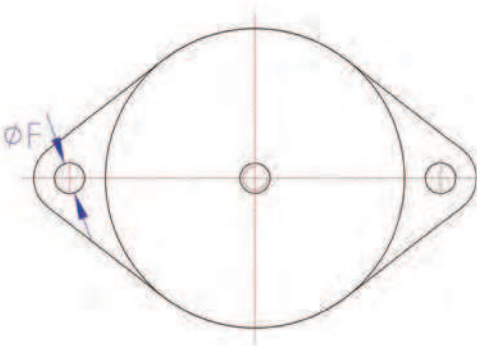
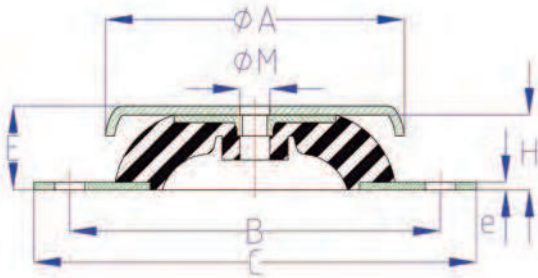


SB-53	REF / ART.NR	DIMENSIONES / DIMENSIONS ABMESSUNGEN										COMPRESION / COMPRESSION DRUCKBELASTUNG	
		ØA	B	D	C	e	F	G	H	I	J	CARGA / LOAD CHARGE / LAST	FLECHA / DEFLECTION FLECHE / FEDERWEG
		mm.										kg.	mm.
	SB53 NR45 SB53 NR60 SB53 NR75	58	32	M-12	33	3	92	115	65	12		200 500 1000	7,0±1,0 7,0±1,0 7,0±1,0
SH	REF / ART.NR	DIMENSIONES / DIMENSIONS ABMESSUNGEN										COMPRESION / COMPRESSION DRUCKBELASTUNG	
		A	B	D	C1	C2	e	α	F	G		CARGA / LOAD CHARGE / LAST	FLECHA / DEFLECTION FLECHE / FEDERWEG
		mm.										kg.	mm.
	SH53 NR45 SH53 NR60	54	21	M-08	35	15	3	40°	36	30		40 90	9,0±1,0
SB	REF / ART.NR	DIMENSIONES / DIMENSIONS ABMESSUNGEN										COMPRESION / COMPRESSION DRUCKBELASTUNG	
		ØA	B	D	C	e	F	G	H	I	J	CARGA / LOAD CHARGE / LAST	FLECHA / DEFLECTION FLECHE / FEDERWEG
		mm.										kg.	mm.
	SB35 NR45 SB35 NR60 SB45 NR45 SB45 NR60	30 40	25 35	M-08 M-08	20 20	1,5 1,5	67 67	90 90	55 55	13 13	9 9	50 100 90 200	4,5±1,0 4,5±1,0 7,0±1,0 7,0±1,0
SBH	REF / ART.NR	DIMENSIONES / DIMENSIONS ABMESSUNGEN										COMPRESION / COMPRESSION DRUCKBELASTUNG	
		ØA	B	D	C	e	F	G	H	I	J	CARGA / LOAD CHARGE / LAST	FLECHA / DEFLECTION FLECHE / FEDERWEG
		mm.										kg.	mm.
	SBH35 NR45 SBH35 NR60 SBH45 NR45 SBH45 NR60	30 40	25 35	M-08 M-08		1,5 1,5	67 67	90 90	55 55	13 13	9 9	50 100 90 200	4,5±1,0 4,5±1,0 7,0±1,0 7,0±1,0

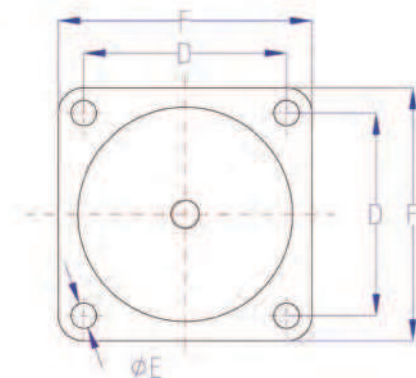
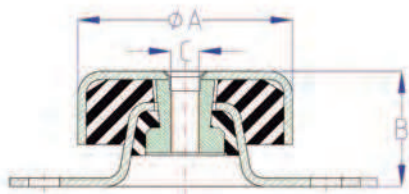


B

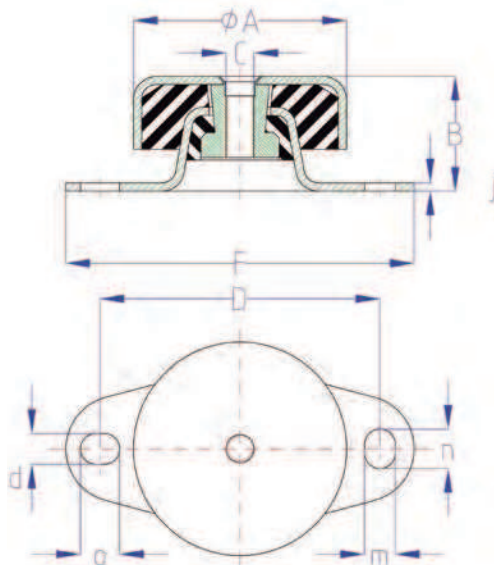
REF / ART.NR	DIMENSIONES / DIMENSIONS ABMESSUNGEN									COMPRESION / COMPRESSION DRUCKBELASTUNG	
	ØA	H	E	B	C	M	ØF	e	CARGA / LOAD CHARGE / LAST	FLECHA / DEFLECTION FLECHE / FEDERWEG	
	mm.									kg.	mm.
B045 + BAP040 NR35 B045 + BAP040 NR45 B045 + BAP040 NR60	40	18	20	52	64	M-06	6,2	2	2,5 5 10	2,5±0,5	
B065 + BAP060 NR45 B065 + BAP060 NR60 B065 + BAP060 NR75	60	22	24	76	90	M-06	6,2	2	15 25 50	3,5±0,5	
B085 + BAP080 NR45 B085 + BAP080 NR60 B085 + BAP080 NR75	80	25	27	100	120	M-08	8,2	2	40 80 120	4,5±0,5	
B105 + BAP100 NR45 B105 + BAP100 NR60 B105 + BAP100 NR75	100	25	28	124	148	M-10	10,2	2,5	75 160 220	4,5±1,0	
B155 + BAP150 NR45 B155 + BAP150 NR60 B155 + BAP150 NR75	150	35	40	182	214	M-14	11,8	4	130 300 400	7,0±1,5	
B205 + BAP200 NR45 B205 + BAP200 NR60 B205 + BAP200 NR75	200	40	44	240	280	M-18	15,0	5	500 850 1300	8,0±1,5	



	REF / ART.NR		DIMENSIONES / DIMENSIONS ABMESSUNGEN						CARGA ESTÁTICA / STATIC LOAD CHARGE STATIQUE / STATISCHE LAST		CARGA DINÁMICA / DYNAMIC LOAD / CHARGE DYNAMIQUE / DYNAMISCHE LAST		
	Sh		ØA	B	D	C	ØE	F	j	CARGA / LOAD CHARGE / LAST	FLECHA / DEFLECTION FLECHE / FEDERWEG	CARGA / LOAD CHARGE / LAST	FLECHA / DEFLECTION FLECHE / FEDERWEG
			mm.						kg.	mm.	kg.	mm.	
SCM	SCM060 NR	35								35	3,0±0,5	25	2,0±0,5
	SCM060 NR	45								60	3,0±0,5	45	2,0±0,5
	SCM060 NR	60								125	3,0±0,5	100	2,0±0,5
	SCM060 NR	75	50	28	50	M-08	6	60	1,5	200	3,0±0,5	150	2,0±0,5
	SCM060 VMQ	45								75	3,0±0,5	50	2,0±0,5
	SCM060 VMQ	60								100	3,0±0,5	75	2,0±0,5
	SCM060 VMQ	75								150	3,0±0,5	120	2,0±0,5
	SCP120L VMQ	55								170	3,5±0,5	100	2,5±0,5
	SCP120L VMQ	65	76	38	63,5	M-10	6,5	76	3	375	3,5±0,5	200	2,5±0,5
	SCP120L VMQ	75								575	3,5±0,5	300	2,5±0,5
	SCM120 NR	45								80	3,5±0,5	60	2,5±0,5
	SCM120 NR	60								200	3,5±0,5	150	2,5±0,5
	SCM120 NR	75								300	3,5±0,5	225	2,5±0,5
	SCM120 VMQ	45	76	41	72	M-10	9	90	3	80	3,5±0,5	60	2,5±0,5
	SCM120 VMQ	60								160	3,5±0,5	120	2,5±0,5
	SCM120 VMQ	75								250	3,5±0,5	180	2,5±0,5
	SCM220 NR	45								170	4,5±0,5	130	3,5±0,5
	SCM220 NR	60								300	4,5±0,5	225	3,5±0,5
	SCM220 NR	75								450	4,5±0,5	330	3,5±0,5
	SCM220 VMQ	45	92	53	90	M-12	11	114	3	130	4,5±0,5	100	3,5±0,5
	SCM220 VMQ	60								220	4,5±0,5	165	3,5±0,5
	SCM220 VMQ	75								350	4,5±0,5	265	3,5±0,5
	SCM420 NR	45								350	6,5±1,0	250	4,5±1,0
	SCM420 NR	60								800	6,5±1,0	550	4,5±1,0
SCM420 NR	75								1400	6,5±1,0	900	4,5±1,0	
SCM420 VMQ	45	124	78	114	M-16	13	144	4	350	6,5±1,0	250	4,5±1,0	
SCM420 VMQ	60								800	6,5±1,0	550	4,5±1,0	
SCM420 VMQ	75								1100	6,5±1,0	750	4,5±1,0	

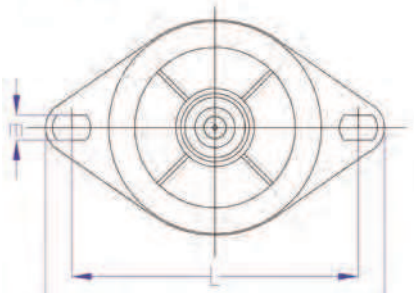
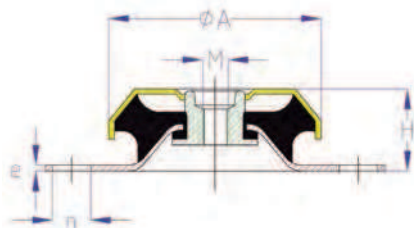


SCM	REF / ART.NR		DIMENSIONES / DIMENSIONS ABMESSUNGEN										CARGA ESTÁTICA / STATIC LOAD CHARGE STATIQUE / STATISCHE LAST		CARGA DINÁMICA / DYNAMIC LOAD / CHARGE DYNAMIQUE / DYNAMISCHE LAST	
	Sh	ØA	B	D	C	F	j	m	n	o	d	CARGA / LOAD CHARGE / LAST	FLECHA / DEFLECTION FLECHE / FEDERWEG	CARGA / LOAD CHARGE / LAST	FLECHA / DEFLECTION FLECHE / FEDERWEG	
	mm.										kg.	mm.	kg.	mm.		
	SCM125 NR	45										80	3,5±0,5	60	2,5±0,5	
	SCM125 NR	60										200	3,5±0,5	150	2,5±0,5	
	SCM125 NR	75										300	3,5±0,5	225	2,5±0,5	
	SCM125 VMQ	45	76	41	100	M-10	124	3	11	14	14	11	80	3,5±0,5	60	2,5±0,5
	SCM125 VMQ	60										160	3,5±0,5	120	2,5±0,5	
	SCM125 VMQ	75										250	3,5±0,5	180	2,5±0,5	
	SCM225 NR	45										170	4,5±0,5	130	3,5±0,5	
	SCM225 NR	60										300	4,5±0,5	225	3,5±0,5	
	SCM225 NR	75										450	4,5±0,5	330	3,5±0,5	
	SCM225 VMQ	45	92	53	140	M-12	183	3	13	30	20	13	130	4,5±0,5	100	3,5±0,5
	SCM225 VMQ	60										220	4,5±0,5	165	3,5±0,5	
	SCM225 VMQ	75										350	4,5±0,5	265	3,5±0,5	
	SCM325 NR	45										120	4,5±0,5	95	3,5±0,5	
	SCM325 NR	60										210	4,5±0,5	160	3,5±0,5	
	SCM325 NR	75										330	4,5±0,5	260	3,5±0,5	
	SCM325 VMQ	45	92	53	115	M-12	140	3	11	11	11	11	130	4,5±0,5	100	3,5±0,5
	SCM325 VMQ	60										220	4,5±0,5	165	3,5±0,5	
	SCM325 VMQ	75										350	4,5±0,5	265	3,5±0,5	
	SCM425 NR	45										350	6,5±1,0	250	4,5±1,0	
	SCM425 NR	60										800	6,5±1,0	550	4,5±1,0	
	SCM425 NR	75										1400	6,5±1,0	900	4,5±1,0	
	SCM425 VMQ	45	124	78	182	M-16	230	4	18	34	26	18	350	6,5±1,0	250	4,5±1,0
	SCM425 VMQ	60										800	6,5±1,0	550	4,5±1,0	
	SCM425 VMQ	75										1100	6,5±1,0	750	4,5±1,0	



REF / ART.NR	DIMENSIONES / DIMENSIONS ABMESSUNGEN									COMPRESION / COMPRESSION DRUCKBELASTUNG	
	Sh	ØA	H	L	M	F	e	m	n	CARGA / LOAD CHARGE / LAST	FLECHA / DEFLECTION FLECHE / FEDERWEG
	mm.									kg.	mm.
SCC080	35	83	35	110	M-10	135	3	11,5	15	80	4,5±1,0
SCC080	45									130	4,5±1,0
SCC080	60									175	4,5±1,0
SCC080	75									230	3,5±1,0
SCC080	35	83	35	110	M-12	135	3	11,5	15	80	4,5±1,0
SCC080	45									130	4,5±1,0
SCC080	60									175	4,5±1,0
SCC080	75									230	3,5±1,0
SCC095	35	92	34	123	M-10	150	3	10,0	15	200	5,0±1,0
SCC095	45									300	5,0±1,0
SCC095	60									600	5,0±1,0
SCC095	75									900	5,0±1,0
SCC095	35	92	34	123	M-12	150	3	10,0	15	200	5,0±1,0
SCC095	45									300	5,0±1,0
SCC095	60									600	5,0±1,0
SCC095	75									900	5,0±1,0
SCC110	35	106	41	143	M-12	169	3	12,5	19	200	7,0±1,0
SCC110	45									340	7,0±1,0
SCC110	60									420	7,0±1,0
SCC110	65									425	5,0±1,0
SCC110	75									800	5,0±1,0
SCC110	35	106	41	143	M-16	169	3	12,5	19	200	7,0±1,0
SCC110	45									340	7,0±1,0
SCC110	60									420	7,0±1,0
SCC110	65									425	5,0±1,0
SCC110	75									800	5,0±1,0
SCC150	35	150	54	182	M-16	218	4	14,0	18	450	9,0±1,5
SCC150	45									600	9,0±1,5
SCC150	60									800	8,0±1,5
SCC150	65									1000	8,0±1,5
SCC150	75									1000	6,0±1,5

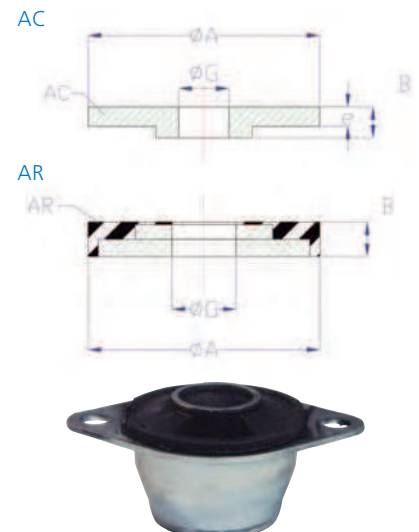
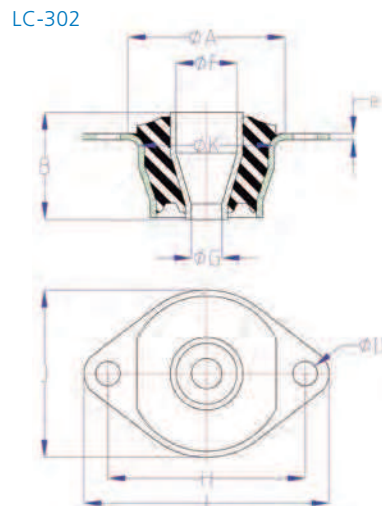
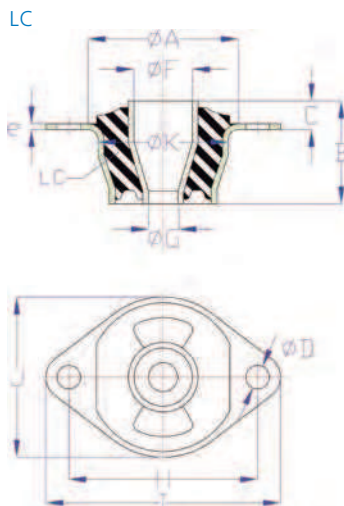
SCC



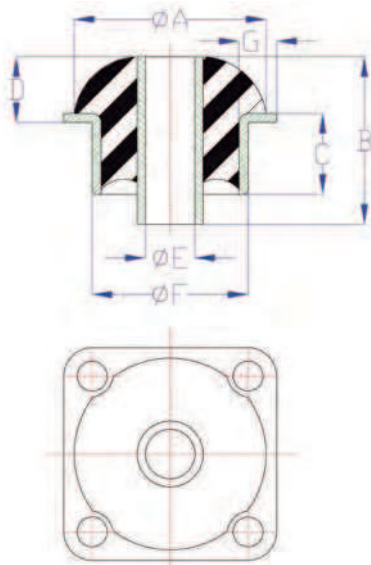
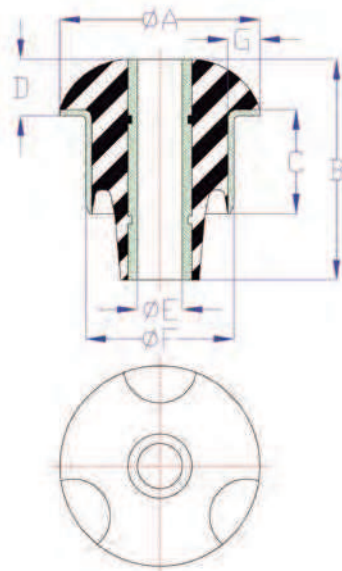
LC	REF / ART.NR		DIMENSIONES / DIMENSIONS ABMESSUNGEN										CARGA ESTÁTICA / STATIC LOAD CHARGE STATIQUE / STATISCHE LAST		RELACIÓN RIGIDEZ STIFNESS RATIO RELATION RIGIDITE STEIFIGKEITSVERHÄLTNIS		
	Sh	ØA	B	ØD	C	e	ØF	ØG	H	I	J	ØK	CARGA / LOAD CHARGE / LAST	FLECHA / DEFLECTION FLECHE / FEDERWEG	Kx	Ky	Kz
	mm.												kg.	mm.			
LC102	35	66	45	10,3	12	2,5	25,5	12,8	82,5	102	70	57	50	3,5±0,5	1	1,1	1,9
	45												80	3,5±0,5	1	1,1	1,9
	55												120	3,5±0,5	1	1,1	1,9
	65												170	3,5±0,5	1	1,1	1,9
	75												215	3,5±0,5	1	1,1	1,9
LC122	35	70	50	10,4	16	3	25,5	12,8	100	122	75	57	95	4,5±0,5	1	1,1	1,9
	45												125	4,5±0,5	1	1,1	1,9
	55												150	4,5±0,5	1	1,1	1,9
	65												260	4,5±0,5	1	1,1	1,9
	75												375	4,5±0,5	1	1,1	1,9
LC170	35	95	70	13,0	18	3	34,0	22,0	141	170	100	74	180	6,0±1,0	1	1,1	1,9
	45												240	6,0±1,0	1	1,1	1,9
	55												350	6,0±1,0	1	1,1	1,9
	65												540	6,0±1,0	1	1,1	1,9
	75												700	6,0±1,0	1	1,1	1,9
LC302	35	66	45	10,3	12	2,5	25,5	12,8	82,5	102	70	57	55	3,5±0,5	1	1,9	1,9
	45												100	3,5±0,5	1	1,9	1,9
	55												140	3,5±0,5	1	1,9	1,9
	65												180	3,5±0,5	1	1,9	1,9
	75												350	3,5±0,5	1	1,9	1,9

AC	REF / ART.NR		DIMENSIONES / DIMENSIONS ABMESSUNGEN			
	Sh	ØA	B	e	ØG	
	mm.					
AC	AC102	60	8	5	13	
	AC170	75	8	5	21	
AR	AR102	47	6,5		13	
	AR170	62	7		23	

Arandelas de centrado y de rebote
Overload and rebound washers
Rondelles progressives et de rebond
Überlastungs- und Rückstossscheiben



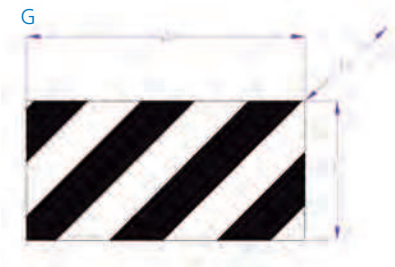
SC	REF / ART.NR		DIMENSIONES / DIMENSIONS ABMESSUNGEN						DUREZA / HARDNESS DURETÉ / HÄRTEN 45 Shöre		DUREZA / HARDNESS DURETÉ / HÄRTEN 60 Shöre		DUREZA / HARDNESS DURETÉ / HÄRTEN 75 Shöre		
		Fig.	ØA	B	C	D	ØE	ØF	G	CARGA LOAD CHARGE LAST	FLECHA DEFLECTION FLECHE FEDERWEG	CARGA LOAD CHARGE LAST	FLECHA DEFLECTION FLECHE FEDERWEG	CARGA LOAD CHARGE LAST	FLECHA DEFLECTION FLECHE FEDERWEG
	mm.														
	SC-00	2	32	28	13,5	11	8,25	26	12	20	1,5±0,2	30	1,2±0,2	40	0,8±0,1
	SC-02	1	48	51	24	18	12,50	38	8	65	2,5±0,5	85	2,0±0,5	110	2,0±0,5
	SC-20	1	70	55	27	19	18,50	56	10	100	3,5±0,5	150	3,0±0,5	180	2,5±0,5
	SC-21	1	70	70	39	19	18,50	56	10	125	3,5±0,5	200	3,0±0,5	250	2,5±0,5
	SC-40	1	100	90	42	28	22,50	74	19	200	5,0±0,5	350	4,5±0,5	400	3,5±0,5
	SC-41	1	100	110	49	28	22,50	74	19	225	5,0±0,5	375	5,0±0,5	450	3,5±0,5
	SC-70 red	1	165	98	36	46	60,20	119	22	450	6,5±1,0	800	5,5±1,0	1000	3,5±0,5
	SC-70	1	165	140	66	46	60,20	119	22	450	6,5±1,0	900	5,5±1,0	1100	3,5±0,5



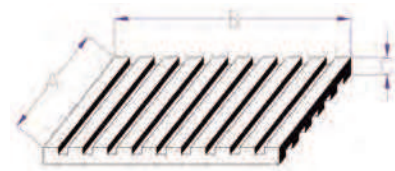
G	REF / ART.NR		DIMENSIONES / DIMENSIONS ABMESSUNGEN					COMPRESION / COMPRESSION DRUCKBELASTUNG	
		Sh	A	B	C	D	ØE	CARGA / LOAD CHARGE / LAST	FLECHA / DEFLECTION FLECHE / FEDERWEG
	mm.						kg.	mm.	
	G051	60	50	50	15			250	3,0±0,5
	G512	60	50	50	15		20	200	3,0±0,5
	G052	60	50	50	20			250	4,0±0,5
	G522	60	50	50	20		20	200	4,0±0,5
	G070	60	70	70	35			600	7,0±1,0
	G080	60	80	80	45	30		900	9,0±1,0
	G082	60	80	80	25			900	5,0±1,0
	G823	60	80	80	25		30	750	5,0±1,0
	G085	60	80	80	35			900	7,0±1,0
	G853	60	80	80	35		30	750	7,0±1,0
	G106	60	100	100	60			1400	12,0±1,5
	G1064	60	100	100	60		40	1200	12,0±1,5

ALF	REF / ART.NR		DIMENSIONES / DIMENSIONS ABMESSUNGEN				COMPRESION / COMPRESSION DRUCKBELASTUNG	
		SH	A	B	C	CARGA / LOAD CHARGE / LAST	FLECHA / DEFLECTION FLECHE / FEDERWEG	
	mm.					kg.	mm.	
	ALF300	60	300	300	8	1000	1,6±0,5	
	ALF400	60	400	400	12	2000	2,4±0,5	

G



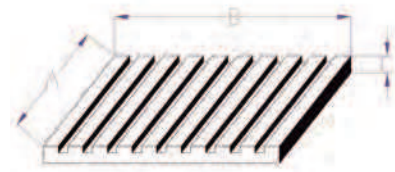
ALF 300



G-CA



ALF 400



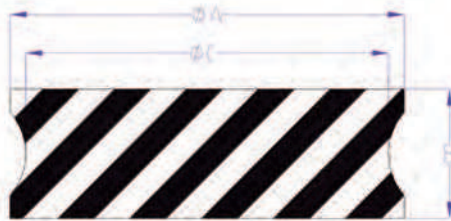
G-N



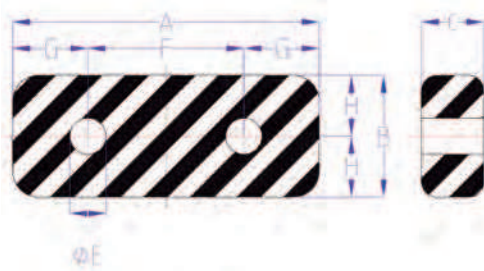
G	REF / ART.NR	DIMENSIONES / DIMENSIONS ABMESSUNGEN				COMPRESION / COMPRESSION DRUCKBELASTUNG	
		SH	ØA	B	C	CARGA / LOAD CHARGE / LAST	FLECHA / DEFLECTION FLECHE / FEDERWEG
		mm.				kg.	mm.
	G3870	60	140	45	127	2000	9,0±1,0
	G3869	60	150	46	138	2500	9,0±1,0

G	REF / ART.NR	DIMENSIONES / DIMENSIONS ABMESSUNGEN						COMPRESION / COMPRESSION DRUCKBELASTUNG		
		A	B	C	ØE	F	G	H	CARGA / LOAD CHARGE / LAST	FLECHA / DEFLECTION FLECHE / FEDERWEG
		mm.						kg.	mm.	
	G3871-60SH	295	117	60	35	150	72,5	59	7000	12,0±1,5

G3870-G3869



G3871

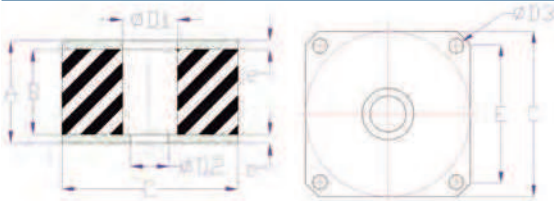




Suministros Industriales

AMORTIGUADORES / ANTIVIBRATION MOUNTS / AMORTISSEURS / SCHWINGUNGSDÄMPFER

P	REF / ART.NR	DIMENSIONES / DIMENSIONS ABMESSUNGEN							COMPRESION / COMPRESSION DRUCKBELASTUNG		
		A	B	C	ØD3	E	ØD2	ØD1	e	CARGA / LOAD CHARGE / LAST	FLECHA / DEFLECTION FLECHE / FEDERWEG
		mm							kg.	mm.	
	P	93	77	160	14	132	35	50	8	2500	15,0±2,0



M	REF / ART.NR	DIMENSIONES / DIMENSIONS ABMESSUNGEN				COMPRESION / COMPRESSION DRUCKBELASTUNG	
		SH	L	M	N	CARGA / LOAD CHARGE / LAST	FLECHA / DEFLECTION FLECHE / FEDERWEG
		mm.				kg.	mm.
	M	60	350	200	70	10000	10,0±1,0



ANT.M	REF / ART.NR	DIMENSIONES / DIMENSIONS ABMESSUNGEN				COMPRESION / COMPRESSION DRUCKBELASTUNG	
		SH	L	M	N	CARGA / LOAD CHARGE / LAST	FLECHA / DEFLECTION FLECHE / FEDERWEG
		mm.				kg.	mm.
	ANT.M	60	350	200	22	7000	3,0±0,5



B	REF / ART.NR	DIMENSIONES / DIMENSIONS ABMESSUNGEN				COMPRESION / COMPRESSION DRUCKBELASTUNG	
		SH	L	M	N	CARGA / LOAD CHARGE / LAST	FLECHA / DEFLECTION FLECHE / FEDERWEG
		mm.				kg.	mm.
	B	45	500	100	60	3800	8,0±1,0
	B	60	500	100	60	6250	8,0±1,0
	B	75	500	100	60	12000	8,0±1,0



93 699 46 04

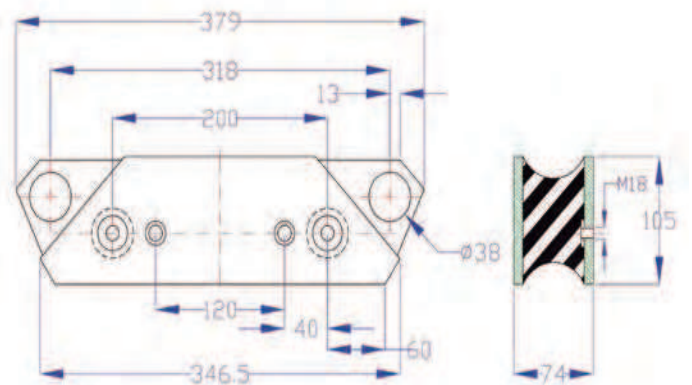
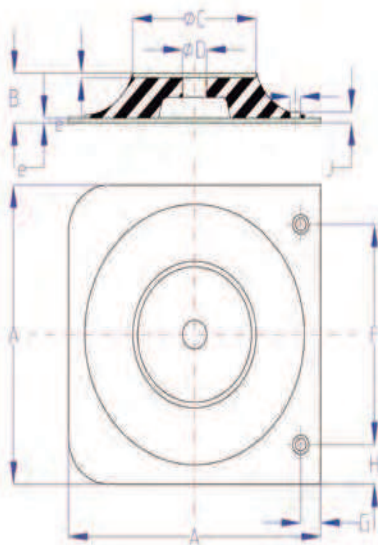


pedidos@suministrosrado.com www.suministrosrado.com

RTK / OP

RTK	REF / ART.NR		DIMENSIONES / DIMENSIONS ABMESSUNGEN										COMPRESION / COMPRESSION DRUCKBELASTUNG	
		Sh	A	B	ØC	ØD	e	F	G	H	I	J	CARGA / LOAD CHARGE / LAST	FLECHA / DEFLECTION FLECHE / FEDERWEG
	mm.												kg.	mm.
	RTK58517/2	60	190	32	93	18,2	3	140	15	25	M-8	5	1200	6,5±1,0
RTK58517	75	190	45	93	18,2	3	140	15	25	M-8	5	2000	9,0±1,0	

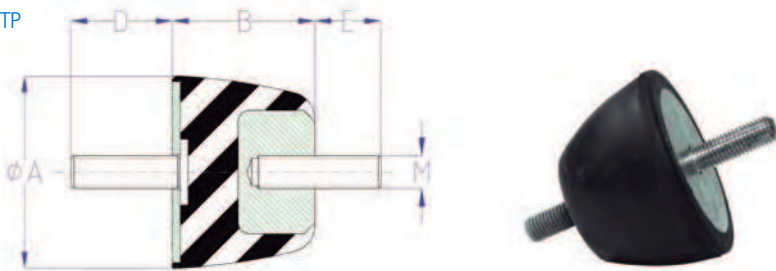
OP	REF / ART.NR		COMPRESION / COMPRESSION DRUCKBELASTUNG	
			CARGA / LOAD CHARGE / LAST	FLECHA / DEFLECTION FLECHE / FEDERWEG
			kg.	mm.
	OP37974		4000	10,0±1,0



RTP

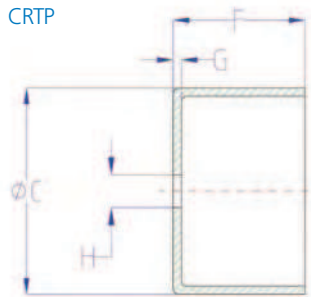
RTP	REF / ART.NR		DIMENSIONES / DIMENSIONS ABMESSUNGEN					COMPRESION / COMPRESSION DRUCKBELASTUNG	
		Sh	ØA	B	M	D	E	CARGA / LOAD CHARGE / LAST	FLECHA / DEFLECTION FLECHE / FEDERWEG
					mm.			kg.	mm.
	RTP 2	60	84	52	M-12	35	30	600	5,0±0,5
	RTP 4	60	120	75	M-16	50	35	1500	9,0±1,5
	RTP 6	60	220	136	M-24	80	57	4500	14,0±1,5

RTP



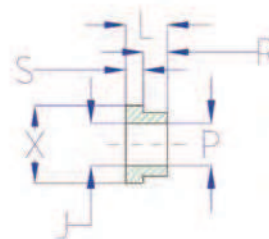
CRTP	REF / ART.NR		DIMENSIONES / DIMENSIONS ABMESSUNGEN			
	CAMPANA / METAL CUP CLOCHE / METALLKAPPE	ØC	F	ØH	G	
		mm.				
	RTP 2	90	50	12	3	
	RTP 4	130	76	16	5	
	RTP 6	246	140	14	8	

CRTP



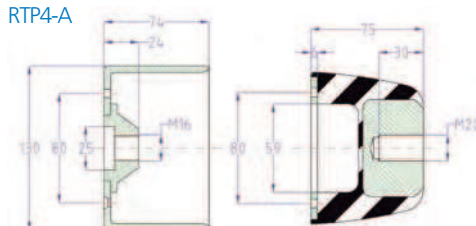
caRTP	REF / ART.NR		DIMENSIONES / DIMENSIONS ABMESSUNGEN					
	CASQUILLO DE CENTRAJE METAL BUSH / DOUILLE METALLBUCHSE	ØX	ØJ	ØP	L	R	S	
		mm.						
	RTP 2	25	12	20	13	9	4	
	RTP 4	35	16	25	24	18	6	

caRTP

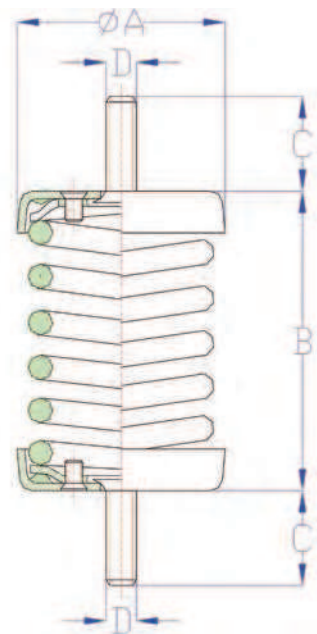


RTP4-A	REF / ART.NR		DIMENSIONES / DIMENSIONS ABMESSUNGEN	
	RTP 4-A		CARGA / LOAD CHARGE / LAST	
			Kg.	
	RTP 4-A		1500	

RTP4-A



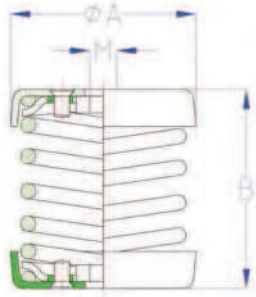
	REF / ART.NR	DIMENSIONES / DIMENSIONS ABMESSUNGEN				COMPRESION / COMPRESSION DRUCKBELASTUNG		CONSTANTE / STIFFNESS RIGIDITE / STEIFIGKEIT
		ØA	B	D	C	CARGA / LOAD CHARGE / LAST	FLECHA / DEFLECTION FLECHE / FEDERWEG	
		mm.				kg.	mm.	kg./cm
N T2	N10 T2	55	59	M-08	25	10	11±2,0	9,09
	N15 T2	55	59	M-08	25	15	11±2,0	13,64
	N25 T2	55	59	M-08	25	25	11±2,0	22,73
	N50 T2	55	59	M-08	25	50	11±2,0	45,45
	N75 T2	55	59	M-08	25	75	11±2,0	68,18
	N100 T2	55	59	M-08	25	100	11±2,0	90,91
	N152 T2	73	91	M-12	33	150	13±2,0	115,38
	N252 T2	73	91	M-12	33	250	13±2,0	192,31
	N352 T2	73	91	M-12	33	350	13±2,0	269,23
M T2	M25 T2	55	79	M-08	25	25	20±2,0	12,50
	M50 T2	55	79	M-08	25	50	20±2,0	25,00
	M75 T2	55	79	M-08	25	75	20±2,0	37,50
	M100 T2	55	79	M-08	25	100	20±2,0	50,00
	M125 T2	55	79	M-08	25	125	20±2,0	62,50
	M152 T2	73	120	M-12	33	150	30±3,0	50,00
	M202 T2	73	120	M-12	33	200	30±3,0	66,67
	M252 T2	73	120	M-12	33	250	30±3,0	83,33
	M352 T2	73	120	M-12	33	350	30±3,0	116,67
	M452 T2	73	120	M-12	33	450	30±3,0	150,00
	M552 T2	73	120	M-12	33	550	30±3,0	183,33



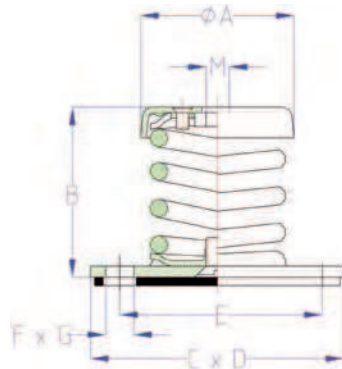
METÁLICOS / RESSORTS / SPRINGS / FEDERISOLATOREN N (10 - 350 kg.)

REF / ART.NR	DIMENSIONES / DIMENSIONS ABMESSUNGEN								COMPRESION / COMPRESSION DRUCKBELASTUNG		CONSTANTE / STIFFNESS RIGIDITE / STEIFIGKEIT
	ØA	B	C	D	E	F	G	M	CARGA / LOAD CHARGE / LAST	FLECHA / DEFLECTION FLECHE / FEDERWEG	
	mm.								kg.	mm.	kg./cm
N10	55	59						8	10	11±2,0	9,09
N15	55	59						8	15	11±2,0	13,64
N25	55	59						8	25	11±2,0	22,73
N50	55	59						8	50	11±2,0	45,45
N75	55	59						8	75	11±2,0	68,18
N100	55	59						8	100	11±2,0	90,91
N152	73	91						12	150	13±2,0	115,39
N252	73	91						12	250	13±2,0	192,31
N352	73	91						12	350	13±2,0	269,23
N10 B	55	61	90	55	70	10	10	8	10	11±2,0	9,09
N15 B	55	61	90	55	70	10	10	8	15	11±2,0	13,64
N25 B	55	61	90	55	70	10	10	8	25	11±2,0	22,73
N50 B	55	61	90	55	70	10	10	8	50	11±2,0	45,45
N75 B	55	61	90	55	70	10	10	8	75	11±2,0	68,18
N100 B	55	61	90	55	70	10	10	8	100	11±2,0	90,91
N150 B	73	94	110	75	89	11	10	12	150	13±2,0	115,38
N250 B	73	94	110	75	89	11	10	12	250	13±2,0	192,31
N350 B	73	94	110	75	89	11	10	12	350	13±2,0	269,23
N10 BB		63	90	55	70	10	10	8	10	11±2,0	9,09
N15 BB		63	90	55	70	10	10	8	15	11±2,0	13,64
N25 BB		63	90	55	70	10	10	8	25	11±2,0	22,73
N50 BB		63	90	55	70	10	10	8	50	11±2,0	45,45
N75 BB		63	90	55	70	10	10	8	75	11±2,0	68,18
N100 BB		63	90	55	70	10	10	8	100	11±2,0	90,91
N151 BB		95	110	75	89	11	10	12	150	13±2,0	115,38
N251 BB		95	110	75	89	11	10	12	250	13±2,0	192,31
N351 BB		95	110	75	89	11	10	12	350	13±2,0	269,23

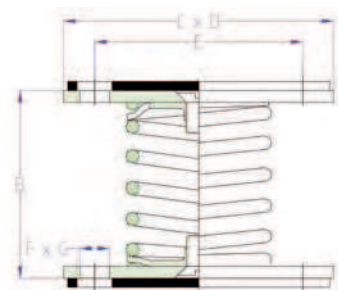
N



NB

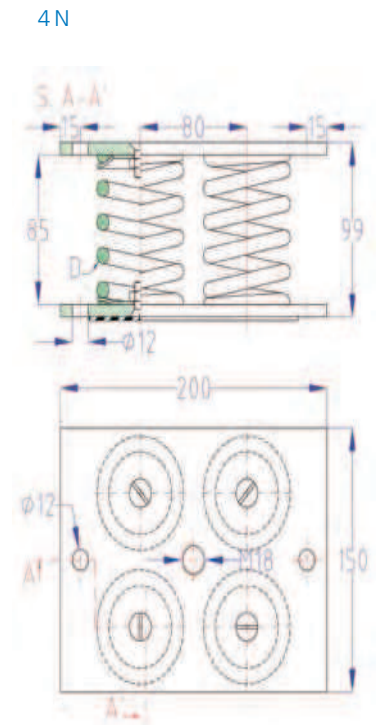
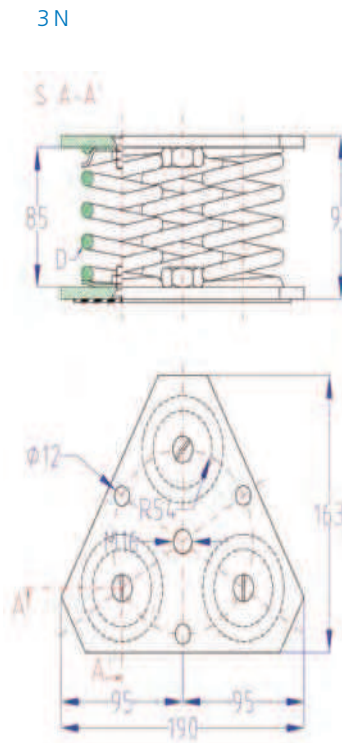
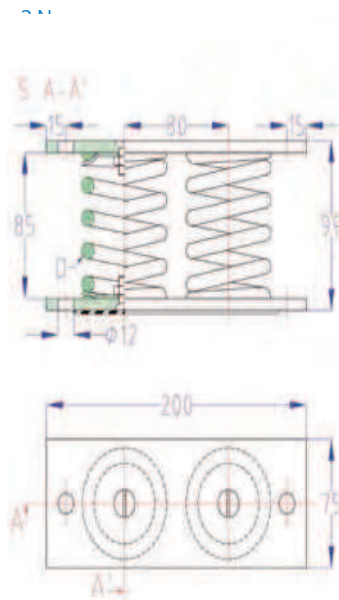


NBB



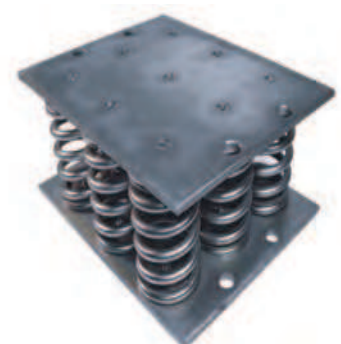
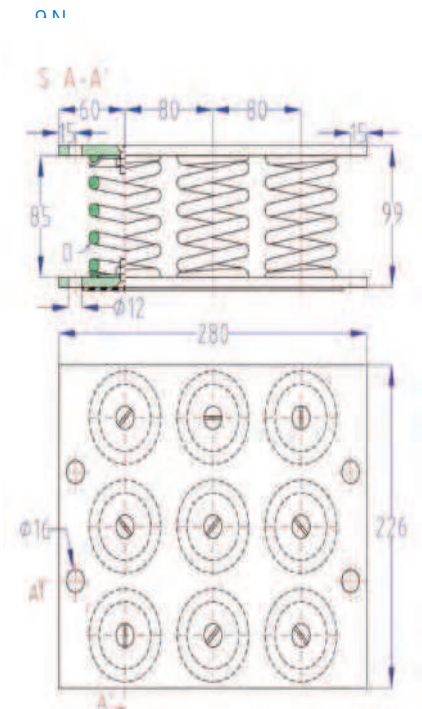
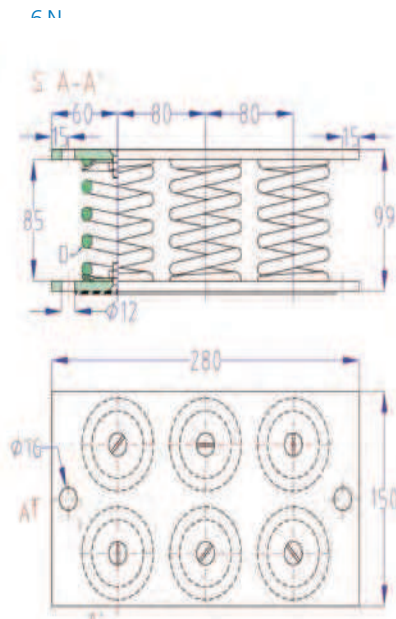
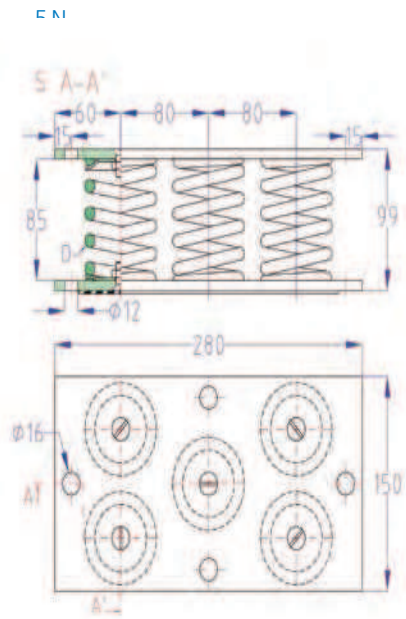
2N / 3N / 4N (300 - 1400 kg.)

	REF / ART.NR	CARGA / LOAD	FLECHA / DEFLECTION	CONSTANTE / STIFFNESS
		CHARGE / LAST	FLÈCHE / FEDERWEG	RIGIDITE / STEIFIGKEIT
		kg.	mm.	kg./cm
2N	2N 300	300	13±2,0	230,77
	2N 500	500	13±2,0	384,62
	2N 700	700	13±2,0	538,46
3N	3N 450	450	13±2,0	346,15
	3N 750	750	13±2,0	576,92
	3N 1050	1050	13±2,0	807,69
4N	4N 600	600	13±2,0	461,54
	4N 1000	1000	13±2,0	769,23
	4N 1400	1400	13±2,0	1076,92



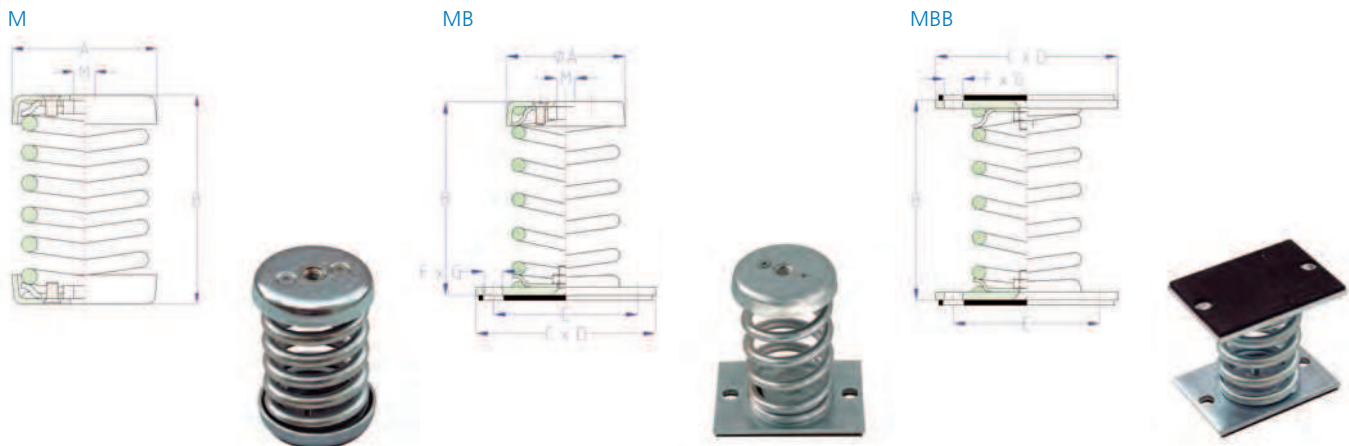
5N / 6N / 9N (750 - 3150 kg.)

	REF / ART.NR	CARGA / LOAD CHARGE / LAST	FLECHA / DEFLECTION FLÈCHE / FEDERWEG	CONSTANTE / STIFFNESS RIGIDITE / STEIFIGKEIT
		kg.	mm.	kg./cm
5N	5N 750	750	13±2,0	576,92
	5N 1250	1250	13±2,0	961,54
	5N 1750	1750	13±2,0	1346,15
6N	6N 900	900	13±2,0	692,31
	6N 1500	1500	13±2,0	1153,85
	6N 2100	2100	13±2,0	1615,38
9N	9N 1350	1350	13±2,0	1038,46
	9N 2250	2250	13±2,0	1730,77
	9N 3150	3150	13±2,0	2423,08



METÁLICOS / RESSORTS / SPRINGS / FEDERISOLATOREN M (25 - 550 kg.)

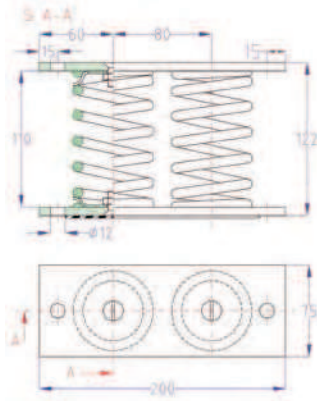
M	REF / ART.NR	DIMENSIONES / DIMENSIONS ABMESSUNGEN							COMPRESION / COMPRESSION DRUCKBELASTUNG		CONSTANTE / STIFFNESS RIGIDITE / STEIFIGKEIT	
		ØA	B	C	D	E	F	G	M	CARGA / LOAD CHARGE / LAST	FLECHA / DEFLECTION FLECHE / FEDERWEG	
		mm.							kg.	mm.	kg./cm	
	M25	55	79						8	25	20±2,0	12,50
	M50	55	79						8	50	20±2,0	25,00
	M75	55	79						8	75	20±2,0	37,50
	M100	55	79						8	100	20±2,0	50,00
	M125	55	79						8	125	20±2,0	62,50
	M152	73	116						12	150	30±3,0	50,00
	M202	73	116						12	200	30±3,0	66,67
	M252	73	116						12	250	30±3,0	83,33
	M352	73	116						12	350	30±3,0	116,67
	M452	73	116						12	450	30±3,0	150,00
	M552	73	116						12	550	30±3,0	183,33
	M25 B	55	81	90	55	70	10	10	8	25	20±2,0	12,50
	M50 B	55	81	90	55	70	10	10	8	50	20±2,0	25,00
	M75 B	55	81	90	55	70	10	10	8	75	20±2,0	37,50
	M100 B	55	81	90	55	70	10	10	8	100	20±2,0	50,00
	M125 B	55	81	90	55	70	10	10	8	125	20±2,0	62,50
	M150 B	73	119	110	75	89	11	10	12	150	30±3,0	50,00
	M200 B	73	119	110	75	89	11	10	12	200	30±3,0	66,67
	M250 B	73	119	110	75	89	11	10	12	250	30±3,0	83,33
	M350 B	73	119	110	75	89	11	10	12	350	30±3,0	116,67
	M450 B	73	119	110	75	89	11	10	12	450	30±3,0	150,00
	M550 B	73	119	110	75	89	11	10	12	550	30±3,0	183,33
	M25 BB		83	90	55	70	10	10		25	20±2,0	12,50
	M50 BB		83	90	55	70	10	10		50	20±2,0	25,00
	M75 BB		83	90	55	70	10	10		75	20±2,0	37,50
	M100 BB		83	90	55	70	10	10		100	20±2,0	50,00
	M125 BB		83	90	55	70	10	10		125	20±2,0	62,50
	M151 BB		120	110	75	89	11	10		150	30±3,0	50,00
	M201 BB		120	110	75	89	11	10		200	30±3,0	66,67
	M251 BB		120	110	75	89	11	10		250	30±3,0	83,33
	M351 BB		120	110	75	89	11	10		350	30±3,0	116,67
	M451 BB		120	110	75	89	11	10		450	30±3,0	150,00
	M551 BB		120	110	75	89	11	10		550	30±3,0	183,33



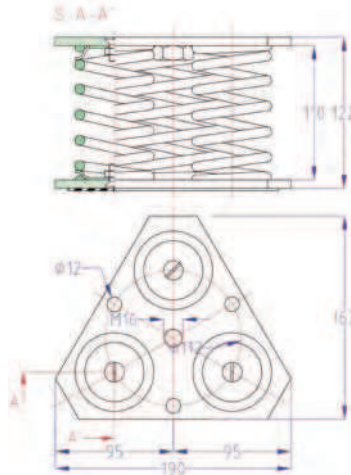
2M / 3M / 4M (300 - 2200 kg.)

	REF / ART.NR	CARGA / LOAD CHARGE / LAST	FLECHA / DEFLECTION FLÈCHE / FEDERWEG	CONSTANTE / STIFFNESS RIGIDITE / STEIFIGKEIT
		kg.	mm.	kg./cm
2M	2M 300	300	30±3,0	100,00
	2M 400	400	30±3,0	130,33
	2M 500	500	30±3,0	166,67
	2M 700	700	30±3,0	233,33
	2M 900	900	30±3,0	300,00
	2M 1100	1100	30±3,0	366,66
3M	3M 450	450	30±3,0	150,00
	3M 600	600	30±3,0	200,00
	3M 750	750	30±3,0	250,00
	3M 1050	1050	30±3,0	350,00
	3M 1350	1350	30±3,0	450,00
	3M 1650	1650	30±3,0	550,00
4M	4M 600	600	30±3,0	200,00
	4M 800	800	30±3,0	266,67
	4M 1000	1000	30±3,0	333,33
	4M 1400	1400	30±3,0	466,67
	4M 1800	1800	30±3,0	600,00
	4M 2200	2200	30±3,0	733,33

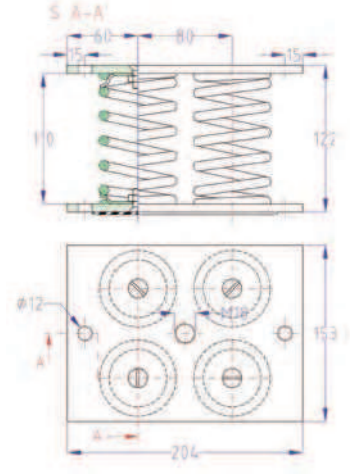
2M



3M



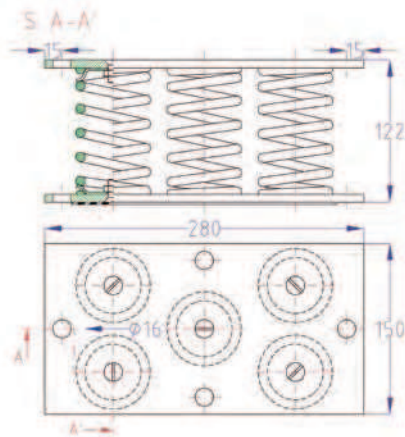
4M



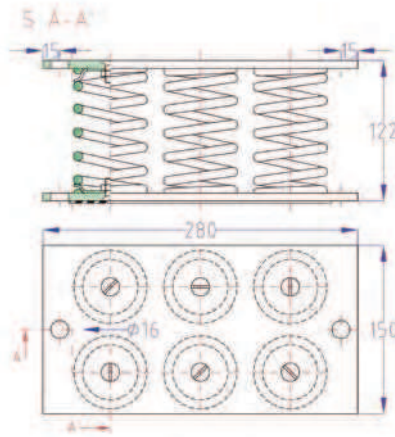
5M / 6M / 9M (750 - 4950 kg.)

	REF / ART.NR	CARGA / LOAD CHARGE / LAST	FLECHA / DEFLECTION FLÈCHE / FEDERWEG	CONSTANTE / STIFFNESS RIGIDITE / STEIFIGKEIT
		kg.	mm.	kg./cm
5M	5M 750	750	30±3,0	250,00
	5M 1000	1000	30±3,0	333,33
	5M 1250	1250	30±3,0	416,67
	5M 1750	1750	30±3,0	583,33
	5M 2250	2250	30±3,0	750,00
	5M 2750	2750	30±3,0	916,67
6M	6M 900	900	30±3,0	300,00
	6M 1200	1200	30±3,0	400,00
	6M 1500	1500	30±3,0	500,00
	6M 2100	2100	30±3,0	700,00
	6M 2700	2700	30±3,0	900,00
	6M 3300	3300	30±3,0	1100,00
9M	9M 1350	1350	30±3,0	450,00
	9M 1800	1800	30±3,0	600,00
	9M 2250	2250	30±3,0	750,00
	9M 3150	3150	30±3,0	1050,00
	9M 4050	4050	30±3,0	1350,00
	9M 4950	4950	30±3,0	1650,00

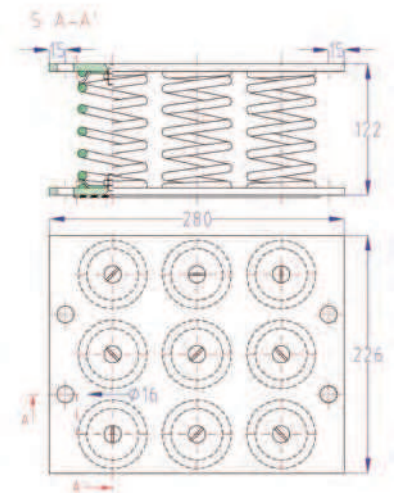
5M



6M

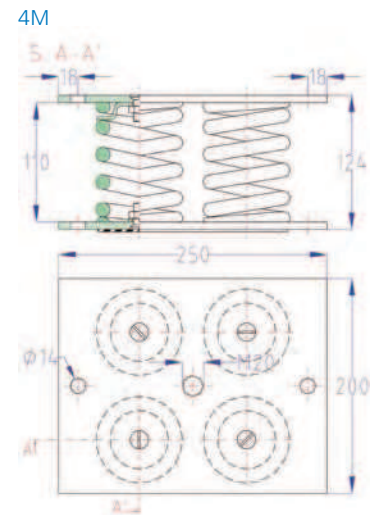
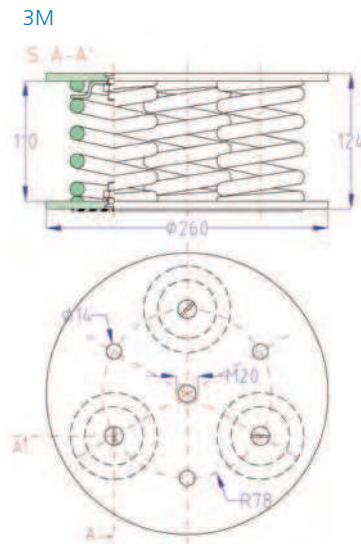
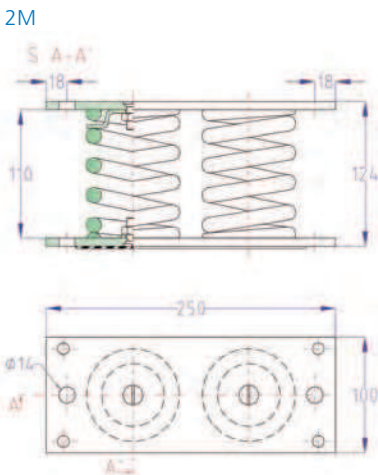
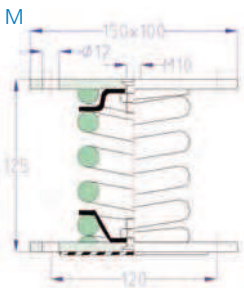


9M



M / 2M / 3M / 4M (500 - 3000 kg.)

	REF / ART.NR	CARGA / LOAD CHARGE / LAST	FLECHA / DEFLECTION FLÈCHE / FEDERWEG	CONSTANTE / STIFFNESS RIGIDITE / STEIFIGKEIT
		kg.	mm.	kg./cm
M	M500	500	18±2,0	277,78
	M750	750	18±2,0	416,67
2M	2M 1000	1000	18±2,0	555,56
	2M 1500	1500	18±2,0	833,33
3M	3M 1500	1500	18±2,0	833,33
	3M 2250	2250	18±2,0	1.250,00
4M	4M 2000	2000	18±2,0	1.111,11
	4M 3000	3000	18±2,0	1.666,67

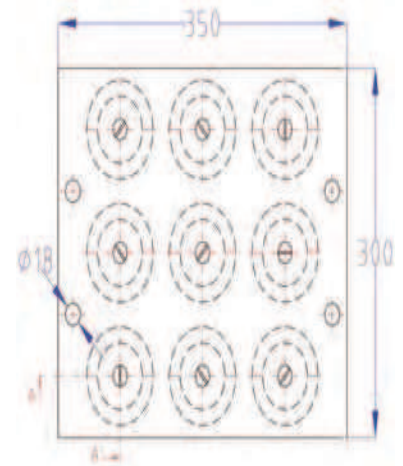
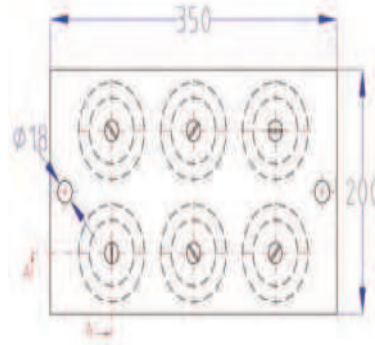
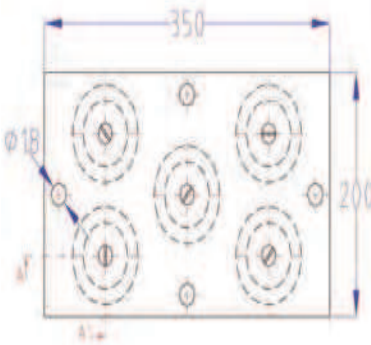
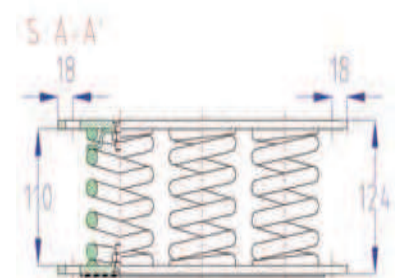
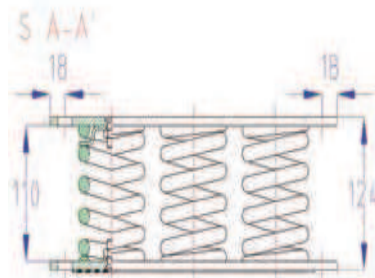
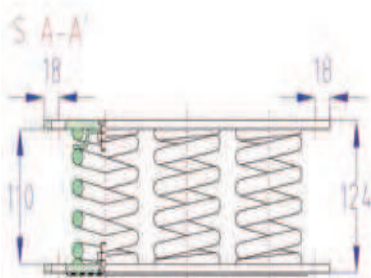


5M / 6M / 9M (2500 - 6750 kg.)

	REF / ART.NR	CARGA / LOAD	FLECHA / DEFLECTION	CONSTANTE / STIFFNESS
		CHARGE / LAST	FLÈCHE / FEDERWEG	RIGIDITE / STEIFIGKEIT
		kg.	mm.	kg./cm
5M	5M 2500	2500	18±2,0	1.388,89
	5M 3750	3750	18±2,0	2.083,33
6M	6M 3000	3000	18±2,0	1.666,67
	6M 4500	4500	18±2,0	2.500,00
9M	9M 4500	4500	18±2,0	2.500,00
	9M 6750	6750	18±2,0	3.750,00

6M

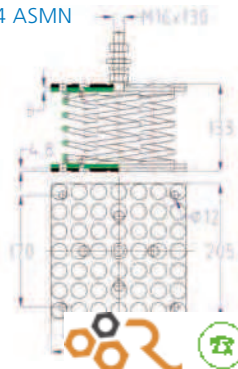
9M



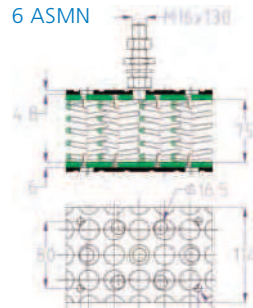
METÁLICOS / SPRINGS / RESSORTS / FEDERISOLATOREN 4 ASMN / 6 ASMN

	REF / ART.NR	CARGA / LOAD CHARGE / LAST	FLECHA / DEFLECTION FLÈCHE / FEDERWEG
		kg.	mm.
4 ASMN	4 ASMN 600	600	30±3,0
	4 ASMN 700	700	30±3,0
	4 ASMN 800	800	30±3,0
	4 ASMN 900	900	30±3,0
	4 ASMN 1000	1000	30±3,0
	4 ASMN 1100	1100	30±3,0
	4 ASMN 1200	1200	30±3,0
	4 ASMN 1300	1300	30±3,0
	4 ASMN 1400	1400	30±3,0
	4 ASMN 1500	1500	30±3,0
	4 ASMN 1600	1600	30±3,0
	4 ASMN 1700	1700	30±3,0
	4 ASMN 1800	1800	30±3,0
	4 ASMN 1900	1900	30±3,0
	4 ASMN 2000	2000	30±3,0
	4 ASMN 2100	2100	30±3,0
	4 ASMN 2200	2200	30±3,0
	6 ASMN	6 ASMN 150	150
6 ASMN 175		175	20±2,0
6 ASMN 200		200	20±2,0
6 ASMN 225		225	20±2,0
6 ASMN 250		250	20±2,0
6 ASMN 275		275	20±2,0
6 ASMN 300		300	20±2,0
6 ASMN 325		325	20±2,0
6 ASMN 350		350	20±2,0
6 ASMN 375		375	20±2,0
6 ASMN 400		400	20±2,0
6 ASMN 425		425	20±2,0
6 ASMN 450		450	20±2,0
6 ASMN 475		475	20±2,0
6 ASMN 500		500	20±2,0
6 ASMN 550		550	20±2,0
6 ASMN 575		575	20±2,0
6 ASMN 600		600	20±2,0
6 ASMN 625		625	20±2,0
6 ASMN 650		650	20±2,0
6 ASMN 675	675	20±2,0	
6 ASMN 700	700	20±2,0	
6 ASMN 725	725	20±2,0	
6 ASMN 750	750	20±2,0	

4 ASMN

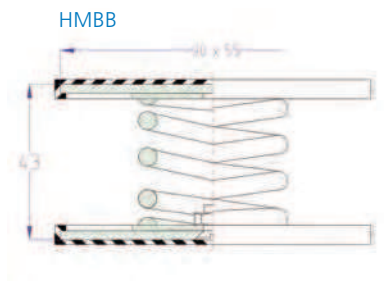
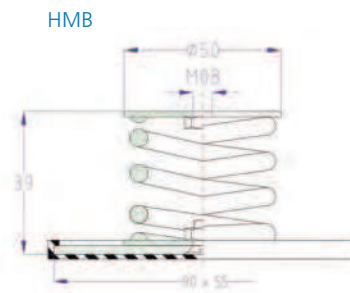
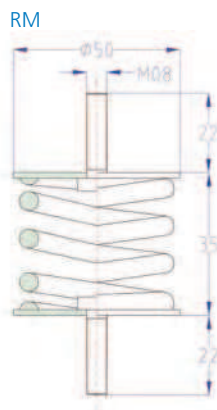
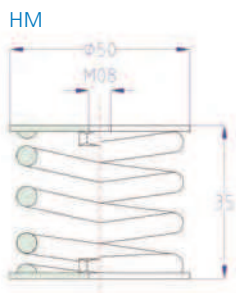


6 ASMN



METÁLICOS / SPRINGS / RESSORTS / FEDERISOLATOREN HM / RM / HMB / HMBB

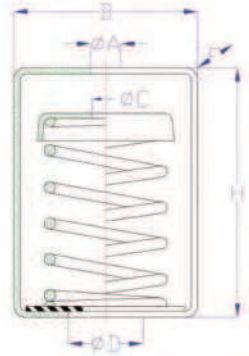
	REF / ART.NR	CARGA / LOAD CHARGE / LAST	FLECHA / DEFLECTION FLÈCHE / FEDERWEG	CONSTANTE / STIFFNESS RIGIDITE / STEIFIGKEIT
HM		kg.	mm.	kg./cm
	HM 05	5	7±1,0	7,14
	HM 10	10	7±1,0	14,29
	HM 20	20	7±1,0	28,57
	HM 30	30	7±1,0	42,86
	HM 40	40	7±1,0	57,14
RM	RM 05	5	7±1,0	7,14
	RM 10	10	7±1,0	14,29
	RM 20	20	7±1,0	28,57
	RM 30	30	7±1,0	42,86
	RM 40	40	7±1,0	57,14
	RM 50	50	7±1,0	71,43
HMB	HMB 05	5	7±1,0	7,14
	HMB 10	10	7±1,0	14,29
	HMB 20	20	7±1,0	28,57
	HMB 30	30	7±1,0	42,86
	HMB 40	40	7±1,0	57,14
	HMB 50	50	7±1,0	71,43
HMBB	HMBB 05	5	7±1,0	7,14
	HMBB 10	10	7±1,0	14,29
	HMBB 20	20	7±1,0	28,57
	HMBB 30	30	7±1,0	42,86
	HMBB 40	40	7±1,0	57,14
	HMBB 50	50	7±1,0	71,43



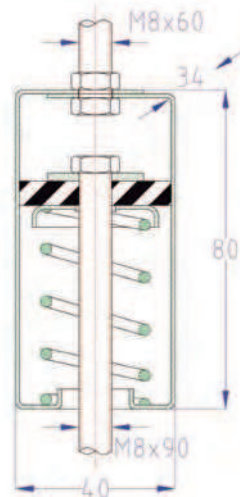
SUSTAINER TM / TV

	REF / ART.NR	DIMENSIONES / DIMENSIONS ABMESSUNGEN					COMPRESION / COMPRESSION DRUCKBELASTUNG		CONSTANTE / STIFFNESS RIGIDITE / STEIFIGKEIT	
		B	F	H	ØA	ØD	ØC	CARGA / LOAD CHARGE / LAST	FLECHA / DEFLECTION FLECHE / FEDERWEG	
	mm.					kg.	mm.	kg./cm		
TM	TM 25	75	55	100	12	30	11	25	24±3,0	10,42
	TM 50	75	55	100	12	30	11	50	24±3,0	20,83
	TM 75	75	55	100	12	30	11	75	24±3,0	31,25
	TM 100	75	55	100	12	30	11	100	24±3,0	41,67
	TM 125	75	55	100	12	30	11	125	24±3,0	52,08
	TM 150	120	75	155	16	30	14	150	35±4,0	42,86
	TM 200	120	75	155	16	30	14	200	35±4,0	57,14
	TM 250	120	75	155	16	30	14	250	35±4,0	71,43
	TM 350	120	75	155	16	30	14	350	35±4,0	100,00
	TM 450	120	75	155	16	30	14	450	35±4,0	128,57
TM 550	120	75	155	16	30	14	550	35±4,0	157,14	
TV	TV 10							10	30±3,0	3,33
	TV 20							20	20±2,0	10,00
	TV 30							30	20±2,0	15,00
	TV 40							40	20±2,0	20,00

Sustainer TM

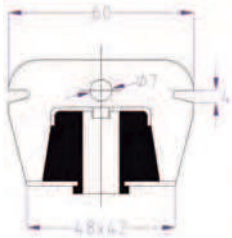


Sustainer TV

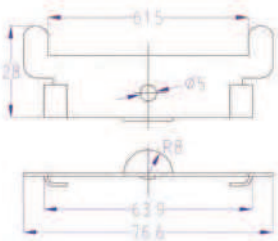


SUSTAINER TVAD-DS / TVA / TVAD10 / TVAR / TVAPL

TVAD



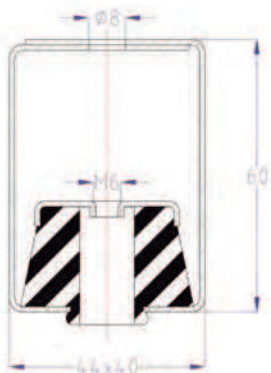
DS



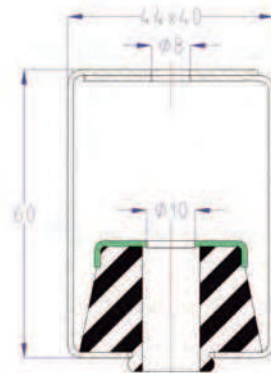
TVAD+DS

	REF / ART.NR	COMPRESION / COMPRESSION DRUCKBELASTUNG			
		CARGA / LOAD CHARGE / LAST		FLECHA / DEFLECTION FLECHE / FEDERWEG	
		kg.		mm.	
TVA	TVA 40	8	25	1	3
	TVA 60	18	50	1	3
	TVA 75	25	75	1	3
TVAD10	TVA40 D10	8	25	1	3
	TVA60 D10	18	50	1	3
	TVA75 D10	25	75	1	3
TVAR	TVAR 40	8	25	1	3
	TVAR 60	18	50	1	3
	TVAR 75	25	75	1	3
TVAPL	TVAPL 40	8	25	1	3
	TVAPL 60	18	50	1	3
	TVAPL 75	25	75	1	3
TVAD	TVAD 40	8	25	1	3
	TVAD 60	18	50	1	3
	TVAD 75	25	75	1	3
	DS				

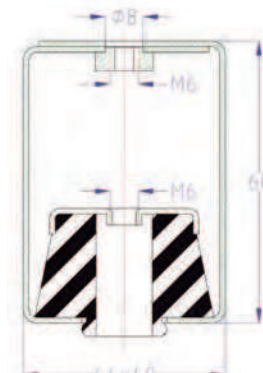
TVA



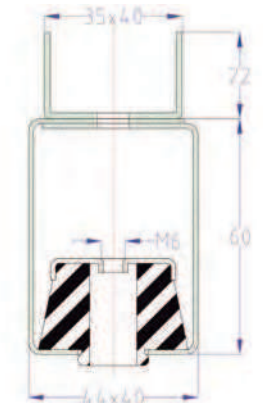
TVAD10



TVAR

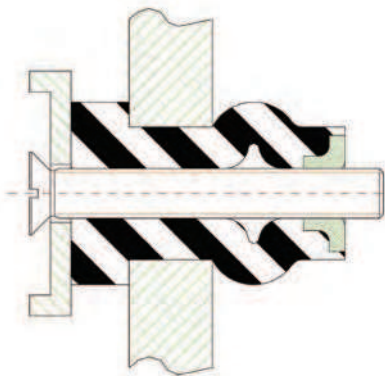
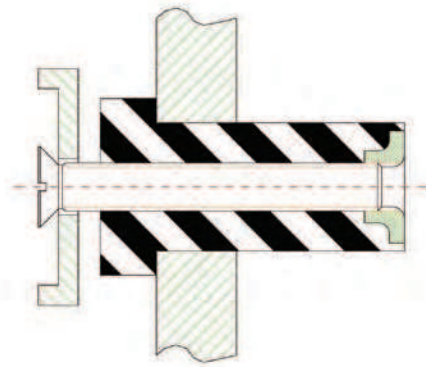
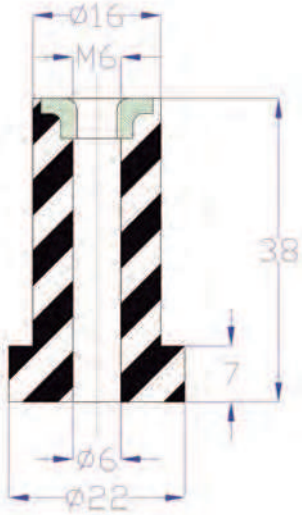


TVAPL

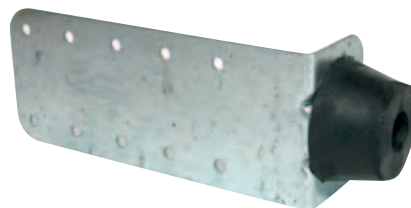
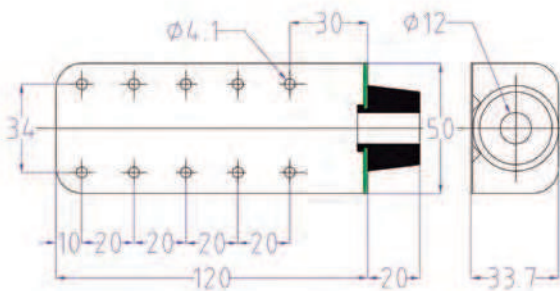


SUSTAINER TPA / TPB

REF / ART.NR
TPA 16



TPA



TPB

REF / ART.NR
TPB

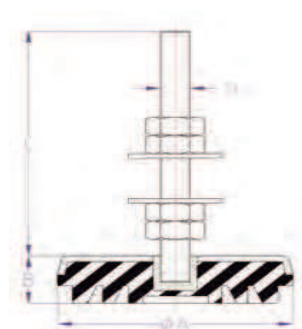
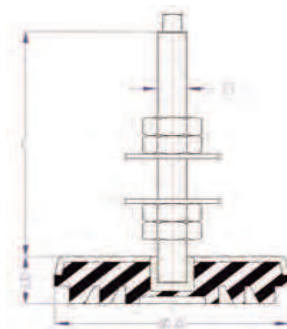
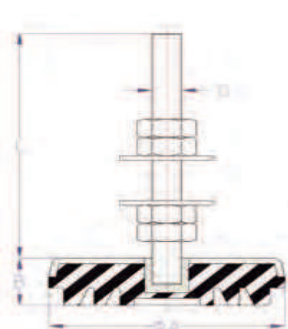
M800 / M800 INOX / M700

	REF / ART.NR	DIMENSIONES / DIMENSIONS ABMESSUNGEN					COMPRESION / COMPRESSION DRUCKBELASTUNG
		Sh	Ø A	B	D	C	CARGA / LOAD CHARGE / LAST
	mm.					kg.	
M-800	M-800	75	45	20	M-8	100	0-100
	M-800	75	45	20	M-10	77	0-100
	M-801	75	75	25	M-12	120	100-200
	M-802	75	98	30	M-12	120	200-400
	M-802	75	98	30	M-16	170	200-400
	M-803	75	125	30	M-16	170	400-700
	M-804	75	175	37	M-16	170	700-1500
	M-805	75	222	42	M-20	200	1500-3000
	M-806	75	222	61	M-24	215	3000-5000
<i>*fabricado con caucho BUTILO (IDEALE) y NITRILO (SINTÉTICO) / made in rubber butyl (IDEALE) and nitrile (SYNTHETIC) / fabriqué en caoutchouc butyle (IDEALE) et nitrile (SYNTHETIQUE) / Hergestellt aus Nitril-Kautschuk und aus Butadien-Kautschuk</i>							
M-800 INOX	M-800-X	75	45	20	M-8	100	0-100
	M-801-X	75	75	25	M-12	120	100-200
	M-802-X	75	98	30	M-12	120	200-400
	M-803-X	75	125	30	M-16	170	400-700
	M-804-X	75	175	37	M-16	170	700-1500
<i>*fabricado con NITRILO (SINTÉTICO) / made in nitrile (SYNTHETIC) / fabriqué en nitrile (SYNTHETIQUE) / Hergestellt aus Nitril-Kautschuk</i>							
M-700	M-700	65	45	20	M-8	100	0-100
	M-700	65	45	20	M-10	78	0-100
	M-701	65	75	24	M-12	120	100-250
	M-702	65	98	29	M-12	120	250-400
	M-703	65	124	30	M-16	170	400-700
	M-704	65	175	36	M-16	170	700-1500
	M-705	65	222	42	M-20	200	1500-2500
M-706	65	222	61	M-24	215	2500-3800	
<i>*fabricado en CAUCHO NATURAL(NR) / made in natural rubber (NR) / fabriqué en caoutchouc naturel (NR) / Hergestellt aus Natur-Kautschuk</i>							

M-800

M-800 INOX

M-700

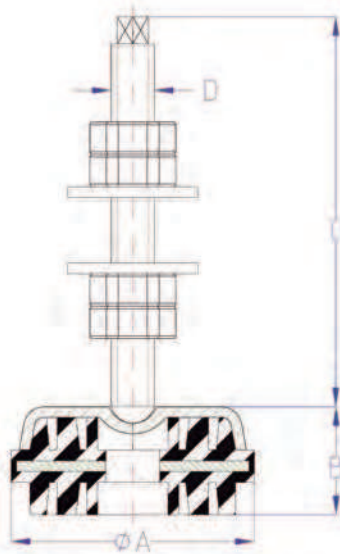


M600 (RÓTULA / ARTICULATED / ARTICULÉ / GELENKFUß)

M-600	REF / ART.NR		DIMENSIONES / DIMENSIONS ABMESSUNGEN				COMPRESION / COMPRESSION DRUCKBELASTUNG
		Sh	Ø A	B	D	C	CARGA / LOAD CHARGE / LAST
	mm.						kg.
	M-600	75	48	20	M-10	70	0-60
	M-601	75	75	28	M-12	100	60-125
	M-602	75	100	28	M-12	100	125-200
	M-603	75	128	30	M-16	160	200-400
	M-604	75	180	36	M-16	160	400-700
	M-607	75	180	44	M-16	160	700-1400
	M-605	75	226	47	M-20	185	1400-2000
	M-606	75	226	60	M-20	185	2000-3000
	M-608	75	226	78	M-24	215	3000-5000

**fabricado con NITRILO (SINTÉTICO) y BUTILO (IDEALE) / made in nitrile (SYNTHETIC) and butyl (IDEALE) / fabriqué en nitrile (SYNTHETIQUE) et butyle (IDEALE) / Hergestellt aus Nitril-Kautschuk und aus Butadien-Kautschuk*

**Toda la serie M-600 se fabrica con plancha metálica intermedia reforzante / The whole M-600 range is made with a reinforcing metal plate in the middle / Toute la série M-600 est fabriquée avec une planche métallique intermédiaire de renfort / Die gesamte M-600 Serie ist mit einer zwischenliegenden Metallscheibe verstärkt*



M-600



M-600L



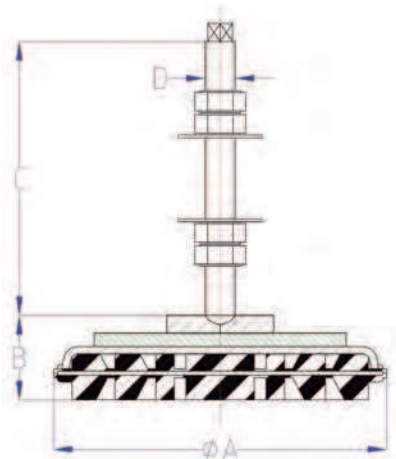
M-600I

Máximo desnivel permitido de la base 8%
 Maximum allowed slope on the base 8%
 Inclination maximale acceptée de la base 8%
 Erlaubte Bodenschräge max 8%

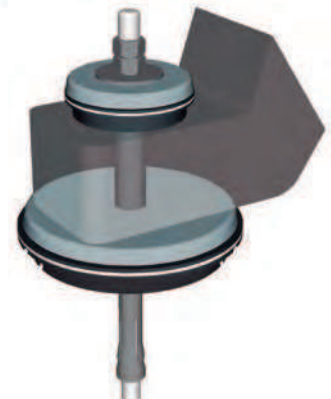
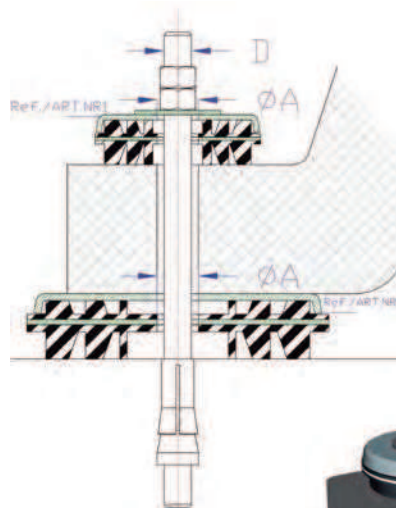
M600 R / M600 T

M-600 R	REF / ART.NR		DIMENSIONES / DIMENSIONS ABMESSUNGEN				COMPRESION / COMPRESSION DRUCKBELASTUNG
	Sh	Ø A	B	D	C	CARGA / LOAD CHARGE / LAST	
	mm.					kg.	
	M-604 R	75	180	56	M-16	160	100-700
	M-607-R	75	180	62	M-16	160	700-1400
	M-605-R	75	226	70	M-20	185	1400-2000
	M-606-R	75	226	77	M-20	185	2000-3000
*fabricado con NITRILO (SINTÉTICO) y BUTILO (IDEALE) / made in nitrile (SYNTHETIC) and butyl (IDEALE) / fabriqué en nitrile (SYNTHETIQUE) et butyle (IDEALE) / Hergestellt aus Nitril-Kautschuk und aus Butadien-Kautschuk							
M-600 T	REF / ART.NR		DIMENSIONES / DIMENSIONS ABMESSUNGEN			COMPRESION / COMPRESSION DRUCKBELASTUNG	
	Sh	Ø A	Ref./ART.NR2	D	Ref./ART.NR1	CARGA / LOAD CHARGE / LAST	
	mm.					kg.	
	T-1	75	12	M-601 T	M8 / M10	M-600 T	0-100
	T-2	75	15	M-602 T	M-12	M-601 T	100-200
	T-3	75	15	M-603 T	M-12	M-601 T	200-400
	T-4	75	24	M-604 T	M16 / M20	M-602 T	400-700
	T-5	75	24	M-607 T	M-16	M-602 T	700-1200
	T-6	75	24	M-605 T	M-20	M-603 T	1200-1800
	T-7	75	24	M-606 T	M-20	M-603 T	1800-2500
*fabricado con NITRILO (SINTÉTICO) y BUTILO (IDEALE) / made in nitrile (SYNTHETIC) and butyl (IDEALE) / fabriqué en nitrile (SYNTHETIQUE) et butyle (IDEALE) / Hergestellt aus Nitril-Kautschuk und aus Butadien-Kautschuk							

M-600 R



M-600 T

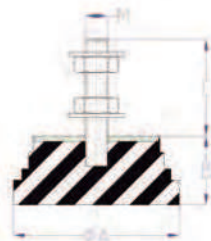


M-940	REF / ART.NR		DIMENSIONES / DIMENSIONS ABMESSUNGEN			COMPRESION / COMPRESSION DRUCKBELASTUNG	
	Sh	Ø A	Ø B	C	CARGA / LOAD CHARGE / LAST		
	mm.				kg.		
	M-942	75	59	29	27	0-75	
	M-944	75	70	40	28	75-90	
	M-946	75	80	49	33	90-120	
	M-948	75	87	60	35	120-150	
*Fabricado con BUTILO (IDEALE) / made in butyl (IDEALE) / fabriqué en butyle (IDEALE) / Hergestellt aus Butadien-Kautschuk							
M-950	REF / ART.NR		DIMENSIONES / DIMENSIONS ABMESSUNGEN			COMPRESION / COMPRESSION DRUCKBELASTUNG	
	Sh	Ø A	B	M	C	CARGA / LOAD CHARGE / LAST	
	mm.				kg.		
	M-952	75	59	25	M-8	100	0-75
	M-952	75	59	25	M-10	77	0-75
	M-954	75	70	31	M-12	120	75-90
	M-956	75	80	33	M-12	120	90-120
*Fabricado con BUTILO (IDEALE) / made in butyl (IDEALE) / fabriqué en butyle (IDEALE) / Hergestellt aus Butadien-Kautschuk							
M	REF / ART.NR		DIMENSIONES / DIMENSIONS ABMESSUNGEN			COMPRESION / COMPRESSION DRUCKBELASTUNG	
	Sh	A	B	C	CARGA / LOAD CHARGE / LAST		
	mm.				kg.		
	M-963	75	35	35	15	0-20	
	M-1060	75	50	50	22	20-40	
	M-1062	75	53	65	28	40-60	
	M-965	75	44		11	0-20	
*Fabricado con BUTILO (IDEALE) / made in butyl (IDEALE) / fabriqué en butyle (IDEALE) / Hergestellt aus Butadien-Kautschuk							

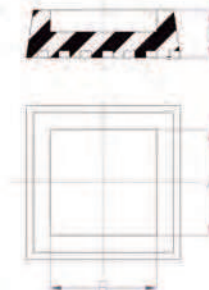
M-940



M-950



M



M-965



M910 / M915/921

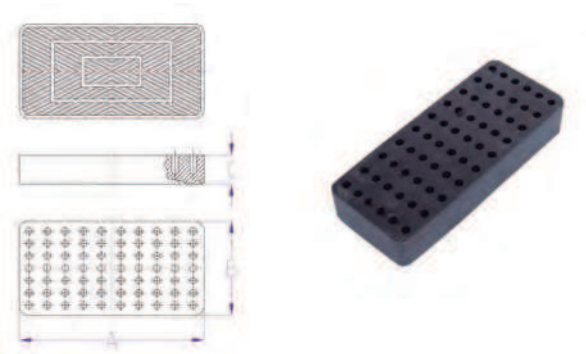
M-910	REF / ART.NR		DIMENSIONES / DIMENSIONS ABMESSUNGEN			COMPRESION / COMPRESSION DRUCKBELASTUNG
	Sh	A	B	C	CARGA / LOAD CHARGE / LAST	
	mm.				kg.	
	M-911	75	122	67	18	0-150
	M-912	75	204	83	18	150-300
	M-913	75	225	115	18	300-500
	M-914	75	256	155	18	500-700
	M-922	75	125	67	35	0-250
	M-924	75	204	85	35	250-500
	M-925	75	150	130	35	500-700
	M-926	75	223	115	35	600-700
	M-929	75	256	152	35	750-1000

**fabricado con caucho BUTILO (IDEALE) / made in rubber butyl (IDEALE) / fabriqué en caoutchouc butyle (IDEALE) / Hergestellt aus Butadien-Kautschuk*

M-915/921	REF / ART.NR		DIMENSIONES / DIMENSIONS ABMESSUNGEN				COMPRESION / COMPRESSION DRUCKBELASTUNG
	Sh	A	B	C	D	CARGA / LOAD CHARGE / LAST	
	mm.					kg.	
	M-915	75	230	140	30	19	0-600
	M-917	75	230	140	30	19	0-600
	M-920	75	210	125	26	13	0-400
	M-921	75	210	125	26	13	0-400

**fabricado con caucho BUTILO (IDEALE) / made in rubber butyl (IDEALE) / fabriqué en caoutchouc butyle (IDEALE) / Hergestellt aus Butadien-Kautschuk*

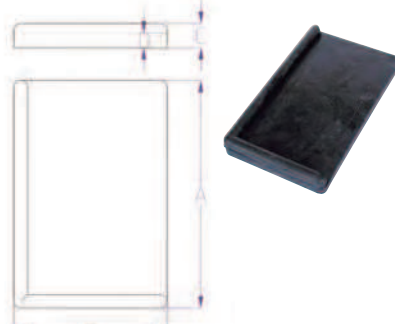
M-910



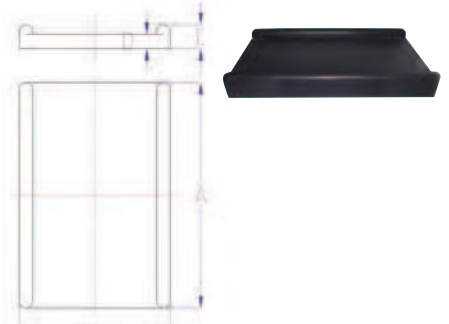
M-915D / M-921D



M-915I / M-921I



M-917 / M-920



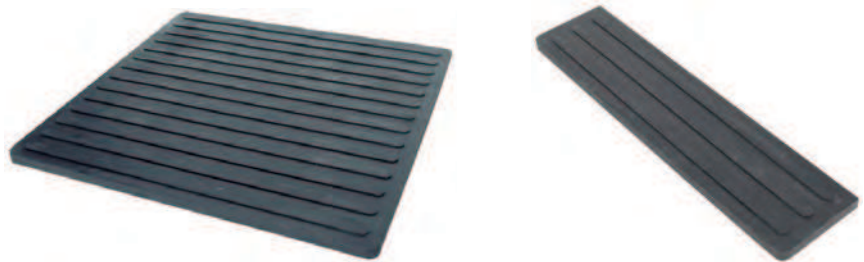
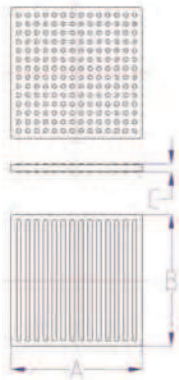
93 699 46 04



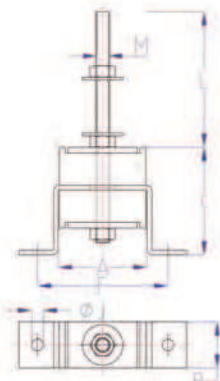
pedidos@suministrosrado.com www.suministrosrado.com

M-980	REF / ART.NR		DIMENSIONES / DIMENSIONS ABMESSUNGEN				COMPRESION / COMPRESSION DRUCKBELASTUNG			
	Sh	A	B	C			CARGA / LOAD CHARGE / LAST			
	mm.						kg.			
	M-980	75	470	117	17			0-300		
	M-981	75	470	117	25			300-450		
	M-983	75	470	470	17			450-1500		
	M-985	75	470	470	25			1500-2000		
*fabricado con caucho BUTILO (IDEALE) / made in rubber butyl (IDEALE) / fabriqué en caoutchouc butyle (IDEALE) / Hergestellt aus Butadien-Kautschuk										
M-970	REF / ART.NR		DIMENSIONES / DIMENSIONS ABMESSUNGEN						COMPRESION / COMPRESSION DRUCKBELASTUNG	
	Sh	A	B	C	M	L	F	Ø J	CARGA / LOAD CHARGE / LAST	
	mm.									
	M-970	75	33	35	42	M-8	42	76	8	0-100
	M-972	75	75	40	95	M-12	118	121	10	0-400
	M-975	75	117	60	110	M-16	150	184	14	400-1250
	M-978	75	140	100	135	M-16	215	246	16	1250-2000
*fabricado con caucho BUTILO (IDEALE) / made in rubber butyl (IDEALE) / fabriqué en caoutchouc butyle (IDEALE) / Hergestellt aus Butadien-Kautschuk										

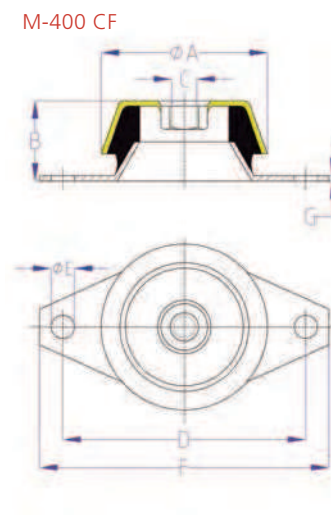
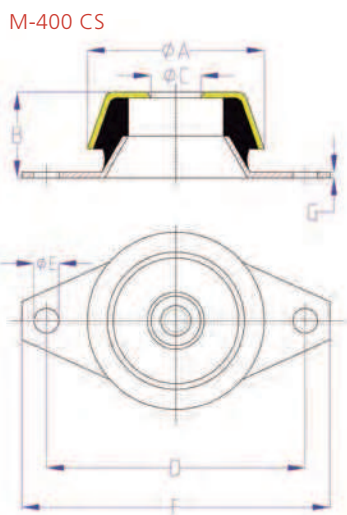
M-980



M-970



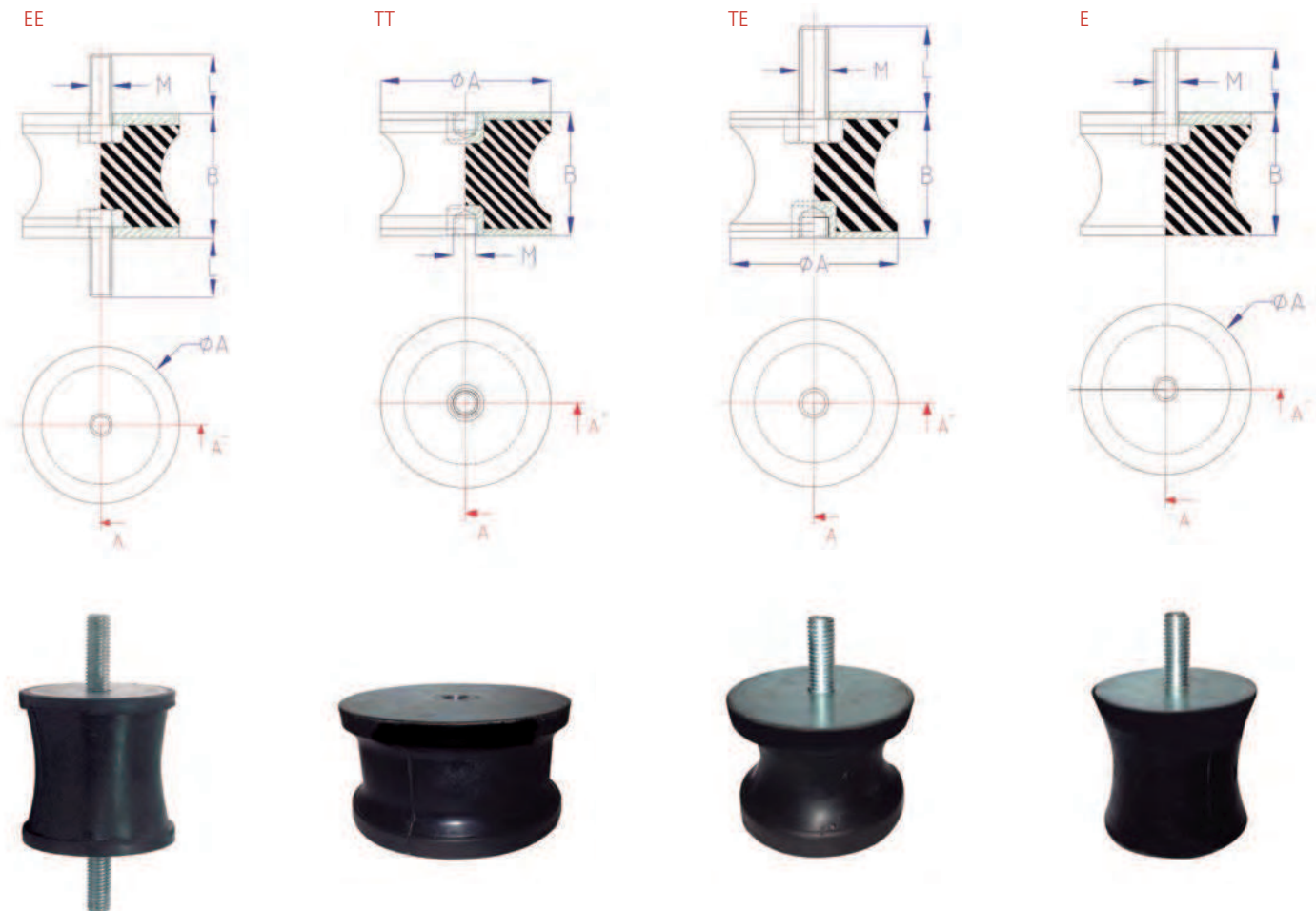
M-400 CS	REF / ART.NR		DIMENSIONES / DIMENSIONS ABMESSUNGEN						COMPRESION / COMPRESSION DRUCKBELASTUNG		
	Sh	Ø A	B	Ø C	D	Ø E	F	G	CARGA / LOAD CHARGE / LAST		
	mm.									kg.	
	M-410	60	46	23	8	68	6,5	81	2	45-90	
	M-412	60	60	31	10	85	8,5	106	3	100-200	
	M-414	60	92	45	16	110	10,5	128	3	200-400	
	M-416	60	108	50	24	160	16,5	190	5	400-600	
<p>*fabricado con NITRILO (SINTÉTICO) / made in rubber nitrile (SYNTHETIC) / fabriqué en caoutchouc nitrile (SYNTHETIQUE) / Hergestellt aus Nitril-Kautschuk</p> <p>*CS agujero libre / CS plain hole / CS trou lisse / CS glattes Loch</p>											
M-400 CF	REF / ART.NR		DIMENSIONES / DIMENSIONS ABMESSUNGEN						COMPRESION / COMPRESSION DRUCKBELASTUNG		
	Sh	Ø A	B	C	D	Ø E	F	G	CARGA / LOAD CHARGE / LAST		
	mm.									kg.	
	M-420	60	48	23	M-8	68	6,5	81	2	45-90	
	M-422	60	60	31	M-10	85	8,5	106	3	100-200	
	M-424	60	92	45	M-14	110	10,5	128	3	200-400	
	M-426	60	108	50	M-16	160	16,5	190	5	400-600	
<p>*fabricado con NITRILO (SINTÉTICO) / made in rubber nitrile (SYNTHETIC) / fabriqué en caoutchouc nitrile (SYNTHETIQUE) / Hergestellt aus Nitril-Kautschuk</p> <p>*CF agujero rosca / CF screwed hole / CF trou taraudé / CF Innengewinde</p>											



1000 DISCOBOLO

1000	REF / ART.NR	SERIES				DIMENSIONES / DIMENSIONS / ABMESSUNGEN			COMPRESION / COMPRESSION / DRUCKBELASTUNG	COMPRESION / COMPRESSION / DRUCKBELASTUNG
		EE	TT	TE	E	Ø A	B	M x L	CARGA / LOAD CHARGE / LAST	CARGA / LOAD CHARGE / LAST
						mm.			65SH	75SH
	M-1003	x			x	25	25	M-4X14	0-20	0-30
	M-1006	x			x	35	30	M-5X14	20-60	30-90
	M-1009	x	x	x	x	45	35	M-8X23	60-80	90-120
	M-1012	x	x	x	x	55	44	M-8X22	80-120	120-170
	M-1014	x	x	x	x	60	60	M-10X26	100-130	140-190
	M-1015	x	x	x	x	69	50	M-10X26	120-175	170-250
	M-1018		x			85	60	M-12	175-260	250-375
	M-1020		x			97	54	M-14	210-420	300-600
	M-1021		x			97	59	M-14	240-490	350-700
	M-1029		x			125	65	M-16	490-1050	700-1500
	M-1032		x			175	81	M-16	850-1300	1200-1800
	M-1035		x			225	90	M-24	1300-1800	1500-2200

*fabricado en CAUCHO NATURAL (NR) / made in natural rubber (NR) / fabriqué en caoutchouc naturel (NR) / Hergestellt aus Natur-Kautschuk



STABREN

STABREN	REF / ART.NR		DIMENSIONES / DIMENSIONS ABMESSUNGEN		COMPRESION / COMPRESSION DRUCKBELASTUNG	
	Sh	Sh	cm ²	Tm x un	CARGA / LOAD CHARGE / LAST	
	kg.					
	35-25-35	35	35	0,1-2,5 kg	1	40-1000
	35-25-45	35	45	2,5-3,5 kg	1,5	1000-1500
	45-25-45	45	45	3,5-9,5 kg	3,8	1500-3800
	45-25-65	45	65	9,5-12 kg	4,8	3800-4800
	65-25-65	65	65	12-15 kg	6	4800-6000
	65-25-85	65	85	15-18 kg	7,2	6000-7200
	85-25-85	85	85	18/+	10	7200-10000

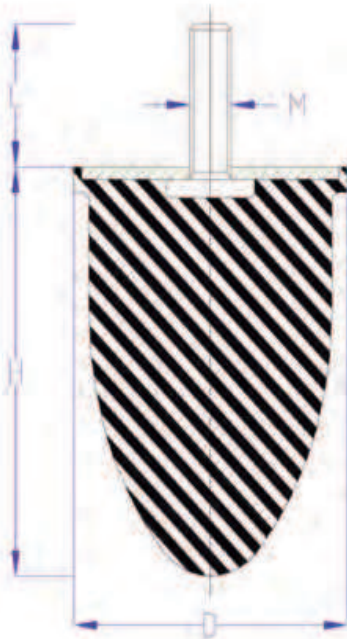
**fabricado con caucho BUTILO (IDEALE) / made in rubber butyl (IDEALE) / fabriqué en caoutchouc butyle (IDEALE) / Hergestellt aus Butadien-Kautschuk*

Dimensiones: largo: 200mm / ancho:200mm / alto: 25mm
 Dimensions: length:200mm / width: 200mm / height: 25mm
 Dimensions: longueur: 200mm / largeur: 200mm / hauteur: 25mm
 Dimensionen: Länge: 200mm / Breite: 200mm/ Höhe: 200mm



TP-M	REF / ART.NR		DIMENSIONES / DIMENSIONS / ABMESSUNGEN				RIGIDEZ / STIFFNESS RIGIDITE / STEIFIGKEIT	FLECHA / DEFLECTION FLECHE / FEDERWEG
		Sh	D	H	Ø M	L	CARGA / LOAD CHARGE / LAST	CARGA / LOAD CHARGE / LAST
	mm.						daN/mm.	mm.
	M-2425 M618	50	24	25	M-6	18	3	5,5
	M-2435 M618	50	24	35	M-6	18	3,5	7
	M-3030 M614	50	30	30	M-6	14	4,9	6
	M-3036 M614	50	30	36	M-6	14	5,5	7,2
	M-4530 M823	50	45	30	M-8	23	12,8	6
	M-5050 M823	50	50	50	M-8	23	5,7	10
	M-5050 M1025	50	50	50	M-10	25	5,7	10
	M-5067 M833	50	50	67	M-8	33	4,9	13,4
	M-6060 M1237	50	60	60	M-12	37	13	12

**fabricado en CAUCHO NATURAL (NR) / made in natural rubber (NR) / fabriqué en caoutchouc naturel (NR) / hergestellt aus Natur-Kautschuk*



1100	REF / ART.NR		SERIES				DIMENSIONES / DIMENSIONS / ABMESSUNGEN			COMPRESION / COMPRESSION / DRUCKBELASTUNG
		Sh	EE	TT	TE	E	Ø A	B	M x L	CARGA / LOAD CHARGE / LAST
							mm.			kg.
	M-1100	50	X	X			15	15	M-4X13	8-10
	M-1106		X	X	X	X		15	M-6X18	50-60
	M-1108	50	X	X	X	X	20	20	M-6X18	30-40
	M-1110		X	X	X	X		25	M-6X18	25-30
	M-1116		X					15	M-6X18	65-70
	M-1118	50	X	X			25	20	M-6X18	48-65
	M-1120		X	X	X	X		25	M-6X18	30-35
	M-1122		X	X	X	X		30	M-6X18	25-30
	M-1128		X		X	X		15	M-8X20	85-95
	M-1130		X	X	X	X		20	M-8X20	55-65
	M-1132	50	X		X		30	25	M-8X20	45-55
	M-1134		X	X	X	X		30	M-8X20	35-45
	M-1136		X	X	X			40	M-8X20	30-35
	M-1140		X					20	M-8X23	170-220
	M-1142	50	X	X	X	X	40	30	M-8X23	140-170
	M-1144		X	X		X		35	M-8X28	85-95
	M-1146	50	X		X	X	40	40	M-10X25 M-10X28	70-80
	M-1150		X					20	M-10X25	290-330
	M-1152		X	X		X		30	M-10X25	200-260
	M-1154	50	X	X	X	X	50	35	M-10X25	170-200
	M-1156		X	X				40	M-10X33	150-170
	M-1158		X	X	X	X		45	M-10X33	125-150
	M-1164	50	X			X	60	30	M-10X25 M-12X37	300-350
	M-1166		X	X				40	M-10X24	210-240
	M-1168	50	X	X		X	60	50	M-12X37	170-210
	M-1172	50	X	X	X	X	75	40	M-12X37	400-500
	M-1180	50	X	X			100	40	M-16X44	800-900
	M-1182	50	X		X		100	75	M-16X41 M-16	600-700

*fabricado en CAUCHO NATURAL (NR) / made in natural rubber (NR) / fabriqué en caoutchouc naturel (NR) / Hergestellt aus Natur-Kautschuk

