

CASQUILLO CLAMP



CLAMP BS 4825

Tamaño	OD ID Ø	(MM)	Ø Brida (MM)	Pared (MM)	Long. (MM)	Peso (KG)
1/2"	12.70	9.5	25.0	1.60	21.5	0.02
3/4"	19.05	15.85	25.0	1.60	21.5	0.02
1"	25.65	22.20	50.5	1.73	21.5	0.08
1 1/2"	38.35	34.90	50.5	1.73	21.5	0.06
2"	51.05	47.60	64.0	1.73	21.5	0.08
2 1/2"	63.75	60.30	77.5	1.73	21.5	0.10
3"	76.45	73.00	91.0	1.73	21.5	0.13
3 1/2"	88.90	84.70	106.0	2.10	21.5	0.21
4"	101.85	97.60	119.0	2.13	21.5	0.21
4 1/2"	114.95	110.30	130.0	2.33	28.0	0.25
5"	127.00	123.00	144.0	2.33	28.0	0.41
5 1/2"	140.55	135.7	155.0	2.43	28.0	0.41
6"	154.00	150.00	167.0	2.00	28.0	0.38
6 5/8"	169.35	163.10	183.0	3.13	28.0	0.56
8"	204.00	200.00	217.4	2.00	28.0	0.52
8 5/8"	220.55	213.90	233.5	2.33	28.0	0.73
10"	254.00	250.00	268.0	2.00	28.0	0.65
10 5/8"	273.00	266.30	286.1	3.35	28.0	0.93
12"	304.80	300.80	319.0	2.00	28.0	0.81
12 5/8"	323.80	315.90	338.0	3.95	28.0	1.28

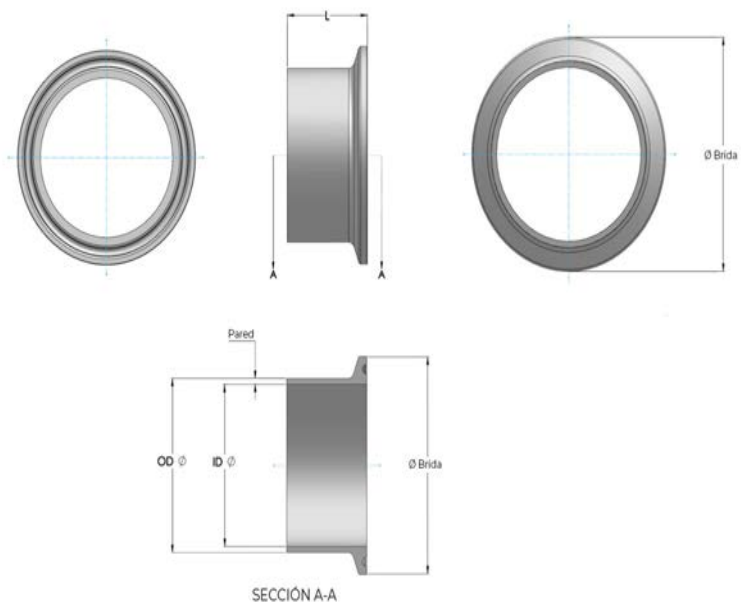


CLAMP DIN 3676

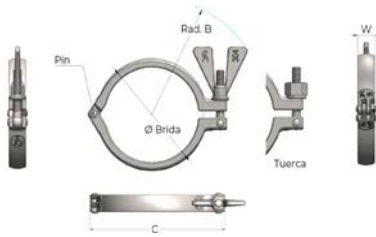
Tamaño	OD ID Ø	(MM)	Ø Brida (MM)	Pared (MM)	Long. (MM)	Peso (KG)
DN 10	13.0	10.00	34.0	1.5	18	0.03
DN 15	19.0	16.00	34.0	1.5	18	0.03
DN 20	23.0	20.00	34.0	1.5	18	0.03
DN 25	29.0	26.00	50.5	1.5	21.5	0.07
DN 32	35.0	32.00	50.5	1.5	21.5	0.06
DN 40	41.0	38.00	50.5	1.5	21.5	0.05
DN 50	53.0	50.00	64.0	1.5	21.5	0.07
DN 65	70.0	66.00	91.0	2	28	0.19
DN 80	85.0	81.00	106.0	2	28	0.23
DN 100	104.0	100.00	119.0	2	28	0.22
DN 125	129.0	125.00	155.0	2	28	0.53
DN 125 II	129.0	125.00	144.4	2	28	0.30
DN 150	154.0	150.00	183.0	2	28	0.76
DN 150 II	154.0	150.00	167.0	2	28	0.38
DN 200	204.0	200.00	233.5	2	28	0.93
DN 200 II	204.0	200.00	217.4	2	28	0.51
DN 250	254.00	250.00	268.0	2	28	0.65
DN 300	304.0	300.00	319.0	2	28	0.81

CLAMP ISO 2852

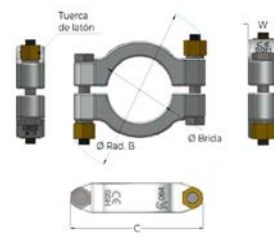
Tamaño	OD ID Ø	(MM)	Ø Brida (MM)	Pared (MM)	Long. (MM)	Peso (KG)
8	13.5	10.30	25.0	1.6	21.5	0.02
10	17.2	14.00	25.0	1.6	21.5	0.02
15	21.3	18.10	50.5	1.6	21.5	0.08
20	26.9	22.90	50.5	2.00	21.5	0.08
25	33.7	29.70	50.5	2.00	21.5	0.07
32	42.4	38.40	64.0	2.00	21.5	0.11
40	48.3	44.30	64.0	2.00	21.5	0.09
50	60.3	56.30	77.5	2.00	21.5	0.12
65	76.1	72.10	91.0	2.00	21.5	0.14
80	88.9	84.90	106.0	2.00	21.5	0.18
100	114.3	110.30	130.0	2.00	28.5	0.25
125	139.7	135.70	155.0	2.00	28	0.37
150	168.3	163.10	183.0	2.6	28	0.51
200	219.10	213.90	233.5	2.6	28	0.66
250	273.00	267.80	286.1	2.6	28	0.93
300	323.90	318.70	338.5	2.6	28	1.28



ABRAZADERAS CLAMP



Material: 304/1.4301
Aplicación: Trabajos ligeros



Material: ASME SA351 – CF8 –
(304/1.4301 equivalente)
Aplicación: Industrial

Clamp - S (Abrazadera sencilla)

Tamaño nominal	Ø Brida (MM)	Rad. B (MM)	Long. C (MM)	Ancho W (MM)	Peso (KG)
1/2"-3/4"	25.0	63.0	60.0	17.0	0.13
DN 10/15/20	34.0	73.0	69.0	17.0	0.17
1"-1 1/2"	50.5	78.0	85.0	17.0	0.21
2"	64.0	82.0	99.0	17.0	0.25
2 1/2"	77.5	89.0	112.0	17.0	0.35
3"	91.0	96.0	126.0	17.0	0.42
3 1/2"	106.0	103.0	140.0	17.0	0.44
4"	119.0	110.0	154.0	17.0	0.51
4 1/2"	130.0	115.0	165.0	17.0	0.60
6"	167.0	134.0	216.0	25.0	0.88

Clamp - SSH (Abrazadera alta presión)

Tamaño nominal	Ø Brida (MM)	Rad. B (MM)	Long. C (MM)	Ancho W (MM)	Peso (KG)
1/2"-3/4"	25.0	37.0	65.0	16.0	0.16
DN 10/15/20	34.0	42.0	74.0	18.0	0.22
1"-1 1/2"	50.5	64.0	103.0	26.0	0.66
2"	64.0	73.0	113.0	26.0	0.82
2 1/2"	77.5	80.0	128.0	26.0	0.94
3"	91.0	86.0	137.0	26.0	1.02
3 1/2"	106.0	94.0	150.0	26.0	1.07
4"	119.0	102.0	165.0	26.0	1.27
4 1/2"	130.0	105.0	174.0	26.0	1.33
5"	144.4	117.0	208	18.0	1.80
5 1/2"	155.0	125.0	226.0	26.0	1.90
6"	167.0	132.0	240.0	26.0	1.93
6 5/8"	183.0	142.0	260.0	26.0	2.11
8"	217.4	150	286.0	26.0	2.46
8 5/8"	233.0	168.0	318.0	26.0	2.52

Clamp - SH Simple (Abrazadera reforzada)

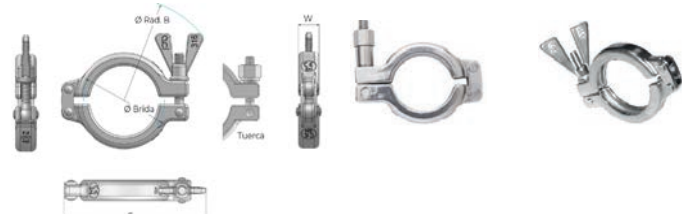
Tamaño nominal	Ø Brida (MM)	Rad. B (MM)	Long. C (MM)	Ancho W (MM)	Peso (KG)	Palomilla Simple
1/2"-3/4"	25.0	63.0	75.0	17.0	0.15	Tuerca normal
1/2"-3/4"	25.0	63.0	75.0	17.0	0.15	Tuerca hexag.
1"-1 1/2"	50.5	77.0	102.0	17.0	0.25	Tuerca normal
1"-1 1/2"	50.5	77.0	102.0	17.0	0.25	Tuerca hexag.
2"	64.0	93.0	123.0	17.0	0.33	Tuerca normal
2"	64.0	93.0	123.0	17.0	0.33	Tuerca hexag.
2 1/2"	77.5	100.0	140.0	17.0	0.38	Tuerca normal
2 1/2"	77.5	100.0	140.0	17.0	0.38	Tuerca hexag.
3"	91.0	105.0	150.0	17.0	0.44	Tuerca normal
3"	91.0	105.0	150.0	17.0	0.44	Tuerca hexag.
3 1/2"	106.0	110.0	165.0	17.0	0.44	Tuerca normal
3 1/2"	106.0	110.0	165.0	17.0	0.44	Tuerca hexag.
4"	119.0	119.0	185.0	17.0	0.57	Tuerca normal
4"	119.0	119.0	185.0	17.0	0.57	Tuerca hexag.
4 1/2"	130.0	119.0	191.0	17.0	0.60	Tuerca normal
4 1/2"	130.0	119.0	191.0	17.0	0.60	Tuerca hexag.
5"	144.0	131.0	215.0	19.0	0.75	Tuerca normal
5"	144.0	131.0	215.0	19.0	0.75	Tuerca hexag.
5 1/2"	155.0	155.0	252.0	24.0	1.39	Tuerca normal
5 1/2"	155.0	155.0	252.0	24.0	1.39	Tuerca hexag.
6"	167.0	156.0	262.0	24.0	1.38	Tuerca normal
6"	167.0	156.0	262.0	24.0	1.38	Tuerca hexag.
6 5/8"	183.0	164.0	280.0	24.0	1.61	Tuerca normal
6 5/8"	183.0	164.0	280.0	24.0	1.61	Tuerca hexag.
8"	217.0	184.0	325.0	24.0	2.11	Tuerca normal
8"	217.0	184.0	325.0	24.0	2.11	Tuerca hexag.
8 5/8"	233.0	185.0	333.0	24.0	2.25	Tuerca normal
8 5/8"	233.0	185.0	333.0	24.0	2.25	Tuerca hexag.

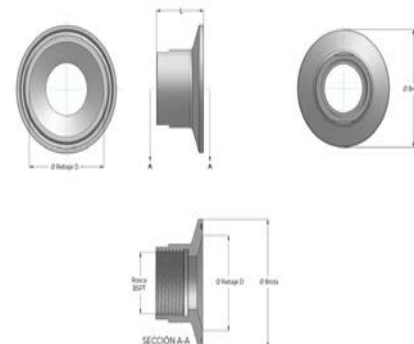
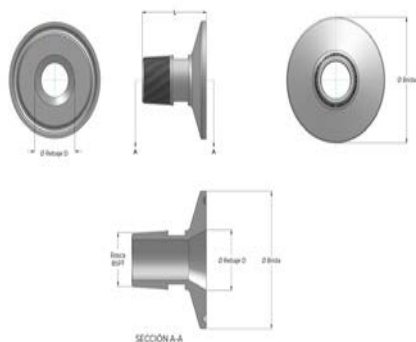
Clamp - SH Doble (Abrazadera reforzada)

Tamaño nominal	Ø Brida (MM)	Rad. B (MM)	Long. C (MM)	Ancho W (MM)	Peso (KG)
5 1/2"	155.0	148.0	265.0	24.0	1.47
5 1/2"	155.0	148.0	265.0	24.0	1.47
6"	167.0	152.0	277.0	24.0	1.67
6"	167.0	152.0	277.0	24.0	1.67
6 5/8"	183.0	164.0	297.0	24.0	1.69
6 5/8"	183.0	164.0	297.0	24.0	1.69
8"	217.0	184.0	332.0	24.0	2.19
8"	217.0	184.0	332.0	24.0	2.19
8 5/8"	233.0	185.0	333.0	24.0	2.34
8 5/8"	233.0	185.0	333.0	24.0	2.34
10"	268.0	205.0	382.0	24.0	2.78
10"	268.0	205.0	382.0	24.0	2.78
10 5/8"	286.0	213.0	405.0	24.0	2.97
10 5/8"	286.0	213.0	405.0	24.0	2.97
12"	319.0	242.0	458.0	24.0	3.69
12"	319.0	242.0	458.0	24.0	3.69
12 5/8"	338.0	243.0	463.0	24.0	3.37
12 5/8"	338.0	243.0	463.0	24.0	3.37



Material: ASME SA351 – CF8M –
(316/1.4401 equivalente)
Aplicación: Normal / Muy resistente



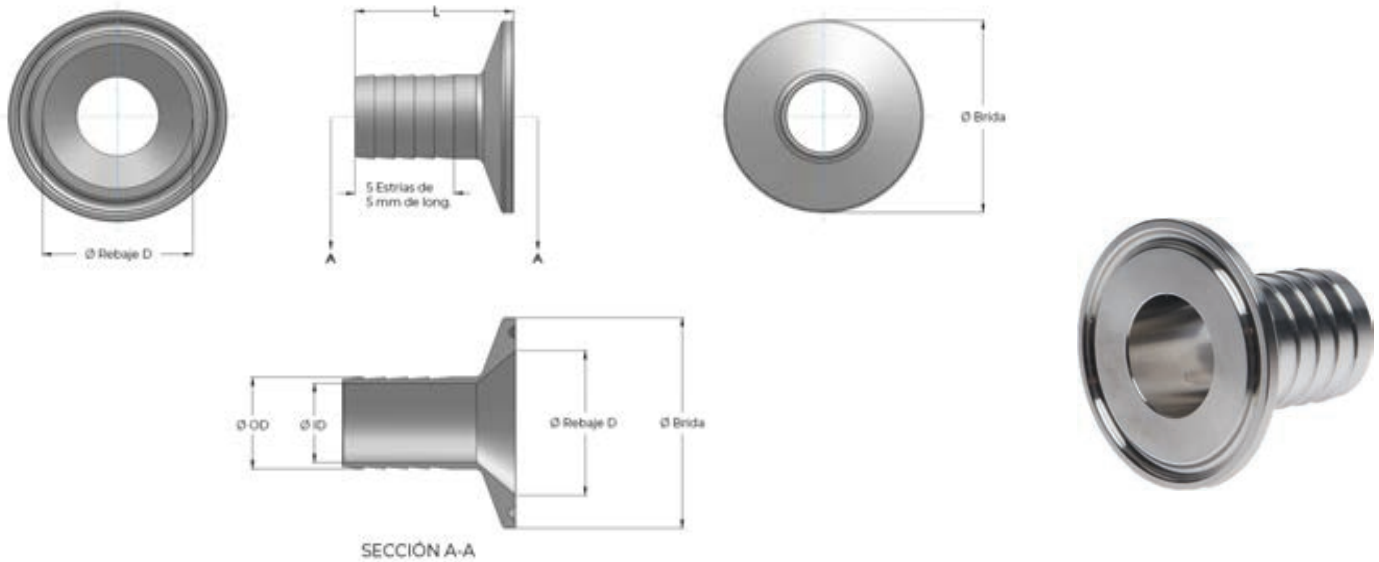


ROSCA GAS MACHO

Tamaño	Rosca	Ø Brida (MM)	Rebaje ØD (MM)	Long. (MM)	Peso (KG)
1/2"	1/8"	25.0	10.0	30	0.03
1/2"	1/4"	25.0	10.0	30	0.03
1/2"	3/8"	25.0	10.0	30	0.04
1/2"	1/2"	25.0	10.0	32	0.06
1/2"	3/4"	25.0	10.0	35	0.09
3/4"	1/8"	25.0	16.0	30	0.02
3/4"	1/4"	25.0	16.0	30	0.02
3/4"	3/8"	25.0	16.0	30	0.04
3/4"	1/2"	25.0	16.0	32	0.03
3/4"	3/4"	25.0	16.0	35	0.08
1"	1/8"	50.5	22.0	30	0.09
1"	1/4"	50.5	22.0	30	0.09
1"	3/8"	50.5	22.0	30	0.10
1"	1/2"	50.5	22.0	35	0.10
1"	3/4"	50.5	22.0	35	0.11
1"	1"	50.5	22.0	35	0.19
1 1/2"	1/8"	50.5	35.0	35	0.07
1 1/2"	1/4"	50.5	35.0	35	0.07
1 1/2"	3/8"	50.5	35.0	35	0.07
1 1/2"	1/2"	50.5	35.0	35	0.09
1 1/2"	3/4"	50.5	35.0	35	0.10
1 1/2"	1"	50.5	35.0	35	0.12
2"	1/2"	64.0	47.6	35	0.16
2"	3/4"	64.0	47.6	40	0.17
2"	1"	64.0	47.6	40	0.18
2"	1 1/2"	64.0	47.6	40	0.19
2"	2"	64.0	47.6	40	0.20

ROSCA GAS HEMBRA

Tamaño	Rosca	Ø Brida D(MM)	Long. ØD (MM)	Long. (MM)	Peso (KG)
1/2"	1/8"	25.0	10.0	25	0.05
1/2"	1/4"	25.0	10.0	25	0.05
1/2"	3/8"	25.0	10.0	25	0.06
1/2"	1/2"	25.0	10.0	30	0.06
1/2"	3/4"	25.0	10.0	30	0.07
3/4"	1/8"	25.0	16.0	25	0.05
3/4"	1/4"	25.0	16.0	25	0.05
3/4"	3/8"	25.0	16.0	25	0.06
3/4"	1/2"	25.0	16.0	30	0.06
3/4"	3/4"	25.0	16.0	30	0.06
1"	1/8"	50.5	22.0	25	0.14
1"	1/4"	50.5	22.0	25	0.12
1"	3/8"	50.5	22.0	25	0.11
1"	1/2"	50.5	22.0	25	0.11
1"	3/4"	50.5	22.0	25	0.10
1"	1"	50.5	22.0	25	0.11
1 1/2"	1/8"	50.5	35.0	25	0.11
1 1/2"	1/4"	50.5	35.0	25	0.11
1 1/2"	3/8"	50.5	35.0	25	0.09
1 1/2"	1/2"	50.5	35.0	25	0.09
1 1/2"	3/4"	50.5	35.0	25	0.09
1 1/2"	1"	50.5	35.0	35	0.10
2"	1/2"	64.0	47.6	25	0.14
2"	3/4"	64.0	47.6	25	0.14
2"	1"	64.0	47.6	25	0.13
2"	1 1/2"	64.0	47.6	25	0.13
2"	2"	64.0	47.6	25	0.13



ESPIGAS CLAMP

Tamaño Casquillo	Tamaño Espiga	OD (MM)	ID Ø (MM)	Ø Brida (MM)	Rebaje ØD (MM)	Longitud L (MM)	Peso (KG)
1/2"	1/4"	6.4	3.4	25.0	9.5	32	0.02
1/2"	3/8"	9.5	6.5	25.0	9.5	32	0.02
1/2"	1/2"	12.7	9.7	25.0	9.5	32	0.02
1/2"	3/4"	19.0	16.0	25.0	9.5	32	0.05
3/4"	1/4"	6.4	3.4	25.0	15.85	32	0.02
3/4"	3/8"	9.5	6.5	25.0	15.85	32	0.02
3/4"	1/2"	12.7	9.7	25.0	15.85	32	0.02
3/4"	3/4"	19.0	16.0	25.0	15.85	32	0.02
1"	1/4"	6.4	3.4	50.5	22.2	40	0.08
1"	3/8"	9.5	6.5	50.5	22.2	40	0.08
1"	1/2"	12.7	9.7	50.5	22.2	40	0.08
1"	3/4"	19.0	16.0	50.5	22.2	40	0.09
1"	1"	25.4	22.4	50.5	22.2	40	0.09
1 1/2"	1/4"	6.4	3.4	50.5	34.9	40	0.07
1 1/2"	3/8"	9.5	6.5	50.5	34.9	40	0.08
1 1/2"	1/2"	12.7	9.7	50.5	34.9	40	0.08
1 1/2"	3/4"	19.0	16.0	50.5	34.9	40	0.08
1 1/2"	1"	25.4	22.4	50.5	34.9	40	0.08
1 1/2"	1 1/2"	38.1	35.0	50.5	34.9	40	0.08
2"	1/2"	12.7	9.7	64.0	47.60	40	0.12
2"	3/4"	19.0	16.0	64.0	47.60	40	0.12
2"	1"	25.4	22.4	64.0	47.60	60	0.14
2"	1 1/2"	38.1	35.0	64.0	47.60	60	0.14
2"	2"	50.8	47.0	64.0	47.60	60	0.17



BS-4825

Tamaño	ID Ø (MM)	Ø Breda (MM)
1 1/2"	34.90	50.5
1"	22.20	50.5
1/2"	9.52	22.0
2 1/2"	60.30	77.5
2"	47.60	64.0
3 1/2"	84.70	106.0
3"	73.00	91.0
3/4"	15.87	22.0
4 1/2"	110.30	130.0
4"	97.60	119.0
5 1/2"	135.76	155.0
5"	123.00	144.4
6 5/8"	163.10	183.0
6"	150.00	167.0
8 5/8"	213.90	233.5
8"	200.00	217.4
10 5/8"	266.30	286.1
10"	250.00	268.0
12 5/8"	315.90	338.0
12	300.80	319.0

DIN-3676

Tamaño	ID Ø (MM)	Ø Breda (MM)
DIN 10	10.00	34.0
DIN 15	16.00	34.0
DIN 20	20.00	34.0
DIN 25	26.00	50.5
DIN 32	32.00	50.5
DIN 40	38.00	50.5
DIN 50	50.00	64.0
DIN 65	66.00	91.0
DIN 80	81.00	106.0
DIN 100	100.00	119.0
DIN 125	125.00	144.4
DIN 125	125.00	155.0
DIN 150	150.00	167.0
DIN 150	150.00	183.0
DIN 200	200.00	217.4
DIN 200	200.00	233.5
DIN 250	250.00	268.0
DIN 300	300.00	319.0

ISO-2852

Tamaño	ID Ø (MM)	Ø Breda (MM)
DN8	10.30	22.0
DN8	10.30	34.0
DN8	10.30	50.5
DN10	14.00	22.0
DN10	14.00	34.0
DN10	14.00	50.5
DN15	18.10	34.0
DN20	22.90	50.5
DN20	23.70	50.5
DN25	29.70	50.5
DN25	30.50	50.5
DN25	31.30	50.5
DN32	38.40	64.0
DN40	44.30	64.0
DN50	56.30	77.5
DN65	72.10	91.0
DN65	72.90	91.0
DN80	84.90	106.0
DN100	110.30	130.0
DN125	135.70	155.0
DN150	163.10	183.0
DN200	213.90	233.5
DN250	267.80	286.1
DN300	318.70	338.5

Disponibles en EPDM, Nitrilo (NBR), Vitón y Teflón/Vitón con malla

JUNTAS ELASTÓMERAS – EPDM, SILICONE Y VITON®

Diseñadas y fabricadas para proporcionar una suave transición a través del agujero tras completar el ensamblaje. Las juntas se producen a partir de compuestos que cumplen con la FDA para caucho y materiales similares. También para el los estándares 3A.

PTFE SÓLIDO (TEFLON®)

Mecanizadas a partir de PTFE virgen, lo que garantiza componentes de precisión y baja porosidad. Cumplen la FDA en Teflon® y Fluorocarbono para usar en contacto alimentario. También para el los estándares 3A. Se puede solicitar en medidas especiales para ejecuciones especiales.

PTFE ENVELOPE (TEFLON®)

Fabricados con PTFE (TEFLON®) en el exterior, y relleno de VITON® en su versión estándar. El diseño ofrece un sellado con un grado de elasticidad que conjunta un buen grado de sellado y flexibilidad de la junta, logrando minimizar los efectos del estrés en la zona de contacto del producto. Cumple con los estándares de la FDA y la normativa 3A en los materiales de resina de TEFLON® y Fluorocarbono.



LA gama de juntas de malla de una capa van desde Malla 10 a Malla 100.

Se ofrecen de serie con extremos de EPDM Negro o de Silicona Transparente.

De conformidad con USP Clase VI.

Podemos ofrecerlas con extremos diferentes previa solicitud

Las juntas no están adheridas, por lo que tanto la malla como el extremo se pueden reemplazar con relativa facilidad.

4825 de 1" hasta 4"

DIN de DIN-25 hasta DIN-100.