

DIN bellows sealed valves have become highly popular in steam and thermal oil markets due to the mass consumption the industry demand has generated. This increase in demand has led to a massive manufacturing of these valves at very low prices causing a drastic reduction in quality performance and therefore missing this valve's main target: being a maintenance free stop valve.

BVALVE however has avoided reducing our quality standards while maintaining our bellows sealed valves at **highly competitive prices**.

BVALVE Flow, Systems & Controls is pleased to introduce the **most technically advanced DIN/EN bellows sealed globe valve** in current market its BV2506X



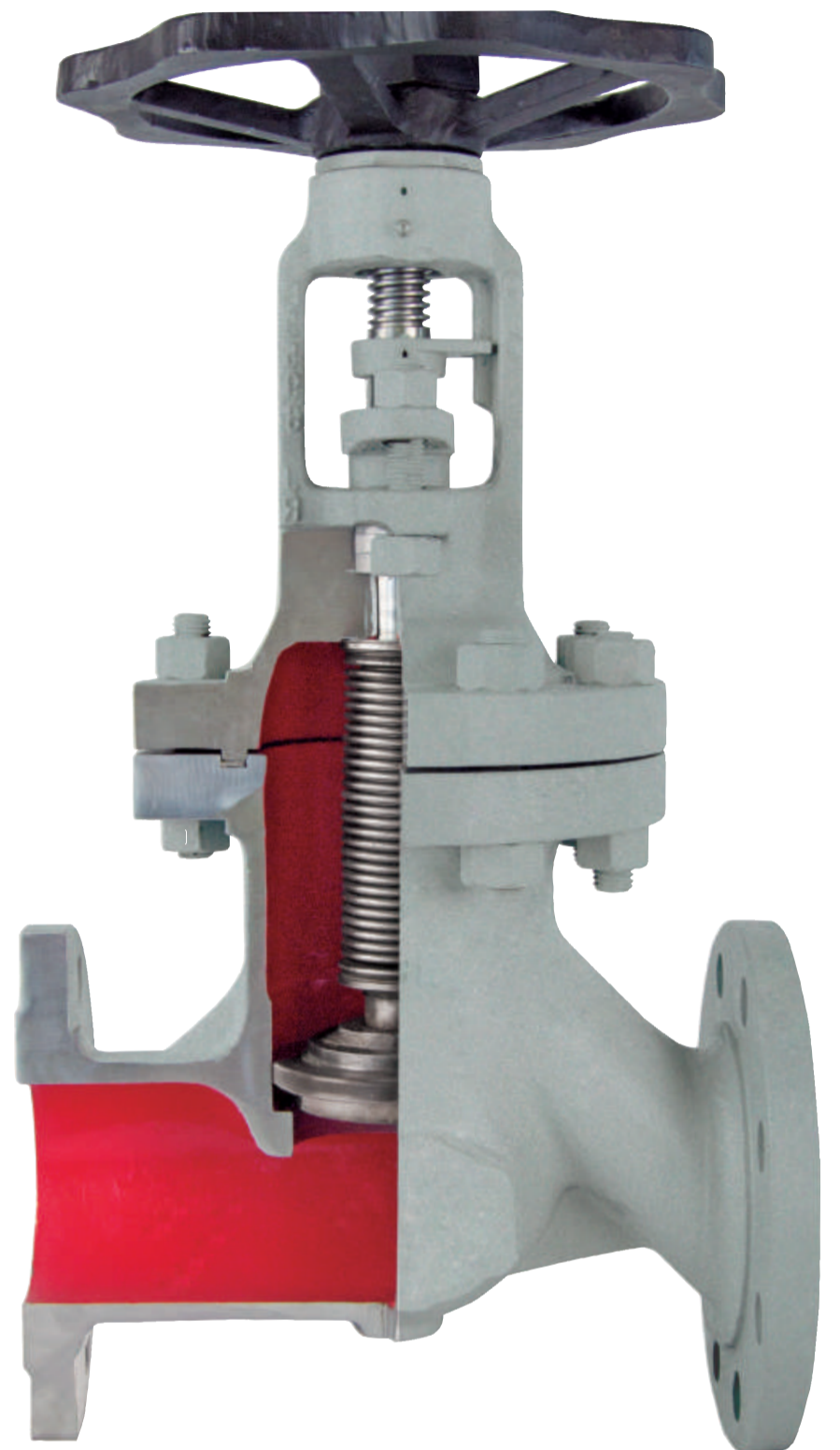
Suministros Industriales



5065 PN40

Carbon steel WCB (1.0619)
Temperature -10°C to 400°C
DN15-DN300

5066 PN40

Stainless Steel CF8M (1.4408)
Temperature -60°C to 400°C



 93 699 46 04  pedidos@suministrosrado.com www.suministrosrado.com

25061 PN16

Cast Iron EN-JL 1040
Temperature -10°C to 300°C
DN15-DN300

25064 PN16

Nodular Cast Iron EN-GJS-400-18-LT
Temperature -10°C to 350°C
DN15-DN300

25063 PN25

Nodular Cast Iron EN-GJS-400-18-LT
Temperature -10°C to 350°C
DN15-DN200



93 699 46 04



pedidos@suministrosrado.com www.suministrosrado.com

Standard Free Rotating Plug. 360° free rotation disc, allowing the cleaning of impurities that may carry the fluid. Besides, closure surface is different in every cycle and at the same time, it does not transmit the vibrations to the valve stem.

Conical Plug. Lower contact surface between plug and seat enhances a tighter closure.

Multi Layer Bellows. Double, triple and quadruple bellows wall depending on the size of the valve. It is welded to the stem and not to the disc, preventing the transmission of vibrations and extending the life of the bellows.

Non Ejectable Stem. Non ejectable stems: Stem includes mechanical stop which at the same time perform the function of locking metal to metal in the opened positions and hence prevent stems from being ejected due to process pressures. Meanwhile, mechanical stop adds robustness when valves are opened. Furthermore, our valves are equipped with pure graphite safety packings.

TA-LUFT Packing

Robust and Ergonomic Hand Wheel

ACME Thick Thread stem

Stop screw, stroke limiter and lubricator. Anti-friction bearings that eases the valve opening and closing.

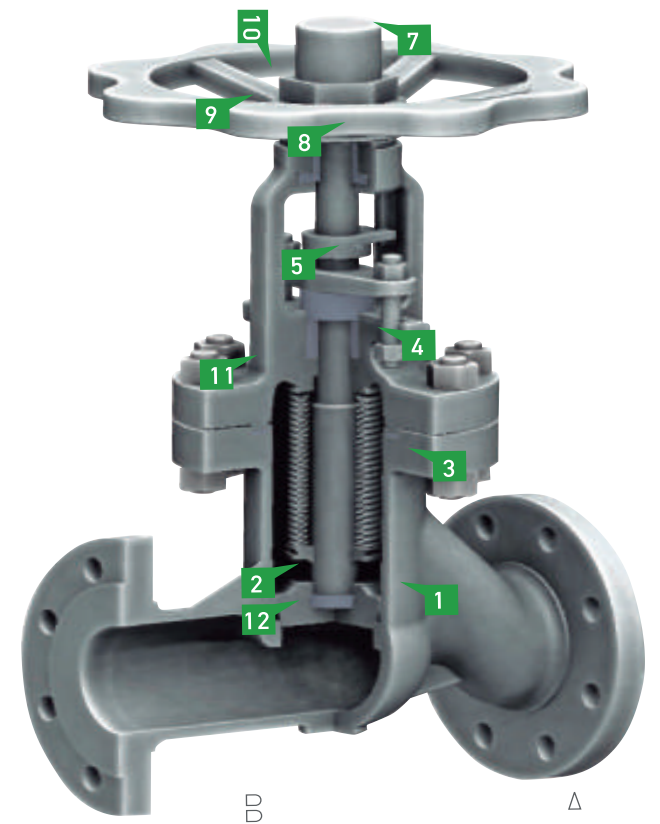
With **Robust Yoke** design and opening indicator.

Flange faces with thin machining acc. EN 1092, high quality cast iron and nodular cast iron, EN 10204 3.1 certificate available

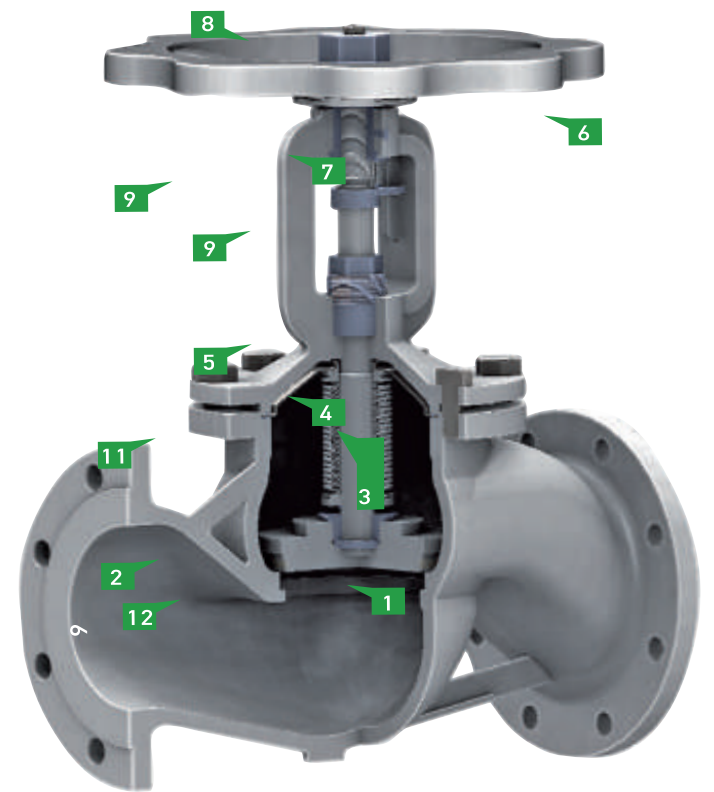
Tongued and grooved body and bonnet

Plug and seat hardfaced

BELLOWS SEALED VALVE PN40



BELLOWS SEALED VALVE PN16



0
1
2

