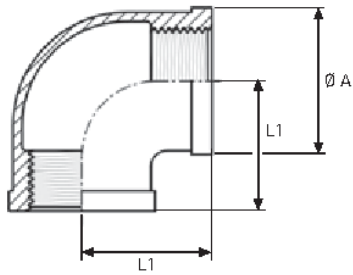


**ACCESORIOS
ROSCADOS
INOX**

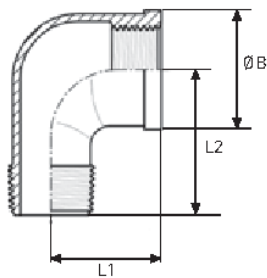




Codo 90° H-H
FIG 90

Acero Inoxidable 1.4408 / A-316
150 PSI

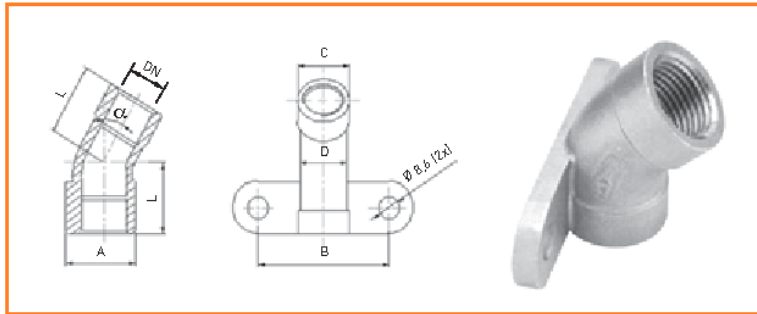
Código	DN	Ø A mm	L1 mm	Bolsa unidades	Peso kg/u.
504F090006	1/8"	17,0	19,0	10	0,04
504F090008	1/4"	21,3	21,0	10	0,06
504F090010	3/8"	23,5	21,3	10	0,07
504F090015	1/2"	29,0	27,0	10	0,10
504F090020	3/4"	36,0	33,0	10	0,16
504F090025	1"	43,0	38,0	10	0,26
504F090032	1.1/4"	52,0	45,0	5	0,40
504F090040	1.1/2"	58,5	50,0	5	0,50
504F090050	2"	71,5	57,0	5	0,74
504F090065	2.1/2"	87,0	69,7	2	1,36
504F090080	3"	99,5	77,0	1	1,48
504F090100	4"	126,0	98,2	1	2,76



Codo 90° M-H
FIG 92

Acero Inoxidable 1.4408 / A-316
150 PSI

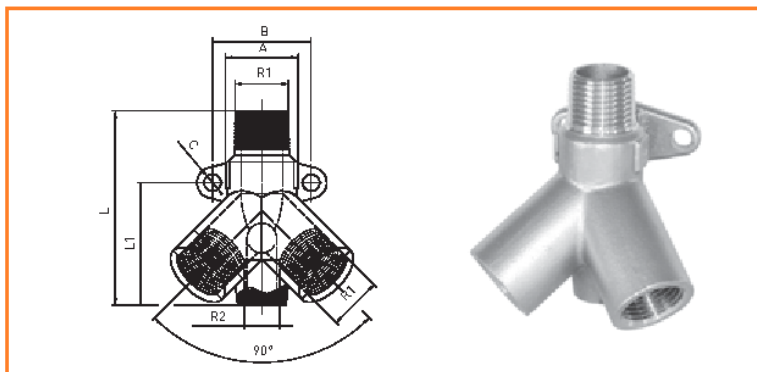
Código	DN	ØB mm	L1 mm	L2 mm	Bolsa unidades	Peso kg/u.
504F092006	1/8"	17,0	19,0	25,0	10	0,03
504F092008	1/4"	21,0	21,0	28,3	10	0,07
504F092010	3/8"	25,0	25,0	32,0	10	0,08
504F092015	1/2"	29,0	28,0	42,0	10	0,10
504F092020	3/4"	35,0	33,0	50,5	10	0,17
504F092025	1"	43,0	38,0	52,0	10	0,22
504F092032	1.1/4"	52,0	45,0	60,0	5	0,38
504F092040	1.1/2"	58,8	50,0	65,0	5	0,49
504F092050	2"	71,7	58,0	74,0	5	0,78
504F092065	2.1/2"	86,2	69,0	101,0	4	1,25
504F092080	3"	100,0	77,0	114,5	1	1,85
504F092100	4"	126,5	97,0	146,5	1	3,11



Codo placa
FIG 91

Acero Inoxidable 1.4408 / A-316
150 PSI

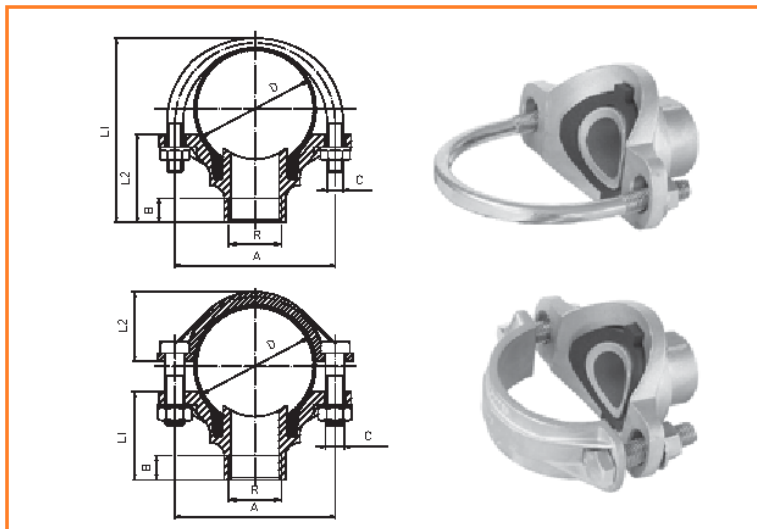
Código	DN	α mm	A mm	B mm	C mm	D mm	L mm	Bolsa unidades	Peso kg/u.
504F9145015	1/2"	45°	28,5	55,0	27,0	25,0	22,8	5	0,146
504F9190015	1/2"	90°	28,5	55,0	27,0	25,0	27,7	5	0,162



Derivación "Y"
aire comprimido

Acero Inoxidable 1.4408 / A-316

Código	R1 bsp	R2 bsp	A mm	B mm	C mm	L mm	L1 mm	Bolsa unidades	Peso kg/u.
20DA015	1/2"	1/4"	28,0	38,0	6,5	75,0	47,5	1	0,30



Adaptador picaje roscado
Con abarcón o con abrazadera

Acero Inoxidable 1.4408 / A-316
Junta EPDM
Tipos de fijación:
- Opción abarcón
- Opción tapa abrazadera

Código	Ø Tubo mm	R bsp	A mm	B mm	C mm	D mm	L1 mm	L2 mm	Bolsa unidades	Peso kg/u.
20AHA076025	76,1	1"	100	15	M10	76	115	57,5	1	0,61
20AHT076025	76,1	1"	100	15	M12	76	55	43,5	1	0,72

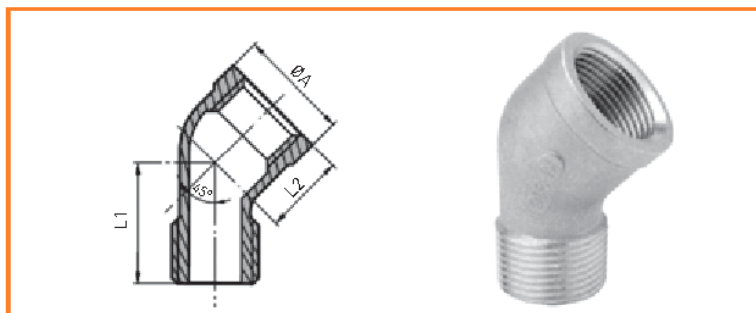


Codo 45° H-H

FIG 120

Acero Inoxidable 1.4408 / A-316
150 PSI

Código	DN	ØA mm	L mm	Bolsa unidades	Peso kg/u.
504F120006	1/8"	18,0	18,0	10	0,04
504F120008	1/4"	21,0	17,0	10	0,05
504F120010	3/8"	25,0	20,0	10	0,08
504F120015	1/2"	29,5	22,0	10	0,10
504F120020	3/4"	35,6	25,0	10	0,15
504F120025	1"	43,0	28,0	10	0,22
504F120032	1.1/4"	52,4	33,0	5	0,34
504F120040	1.1/2"	58,0	36,0	5	0,42
504F120050	2"	72,0	43,0	5	0,62
504F120065	2.1/2"	87,0	49,0	2	1,13
504F120080	3"	100,0	55,0	2	1,25
504F120100	4"	125,5	64,0	1	2,10

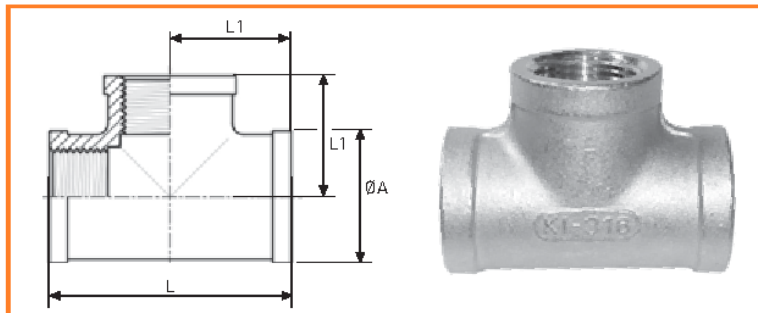


Codo 45° M-H

FIG 122

Acero Inoxidable 1.4408 / A-316
150 PSI

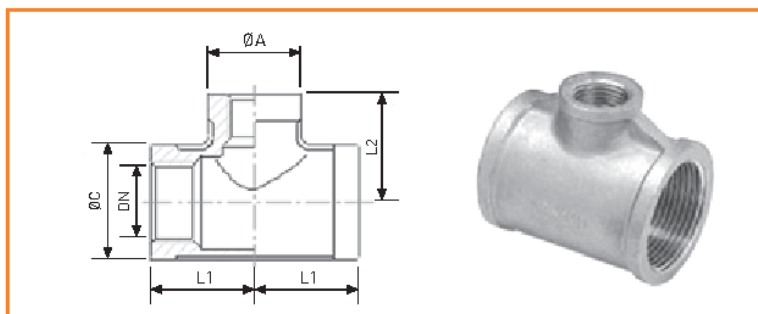
Código	DN	ØA mm	L1 mm	L2 mm	Bolsa unidades	Peso kg/u.
504F122006	1/8"	17,0	21,0	16,0	10	0,03
504F122008	1/4"	21,0	23,3	17,0	10	0,04
504F122010	3/8"	25,0	27,0	19,0	10	0,06
504F122015	1/2"	29,0	31,0	21,0	10	0,09
504F122020	3/4"	35,0	36,5	25,0	10	0,14
504F122025	1"	43,0	42,0	29,0	10	0,23
504F122032	1.1/4"	52,0	49,0	34,0	5	0,36
504F122040	1.1/2"	58,0	51,0	37,0	5	0,42
504F122050	2"	71,0	59,0	42,0	5	0,71
504F122065	2.1/2"	88,0	71,0	49,0	2	1,21
504F122080	3"	101,0	79,0	54,0	2	1,67
504F122100	4"	129,0	96,0	65,0	1	2,86



Te Igual
FIG 130

Acero Inoxidable 1.4408 / A-316
150 PSI

Código	DN	ØA mm	L1 mm	L mm	Bolsa unidades	Peso kg/u.
504F130006	1/8"	17,0	19,0	36	10	0,05
504F130008	1/4"	21,3	21,0	42	10	0,08
504F130010	3/8"	23,5	23,6	48	10	0,10
504F130015	1/2"	30,0	28,0	57	10	0,15
504F130020	3/4"	35,0	33,0	66	10	0,22
504F130025	1"	43,0	38,0	76	10	0,36
504F130032	1.1/4"	52,0	45,0	91	5	0,57
504F130040	1.1/2"	58,5	50,0	98	5	0,67
504F130050	2"	71,5	58,0	114	5	1,05
504F130065	2.1/2"	87,0	70,0	135	2	1,75
504F130080	3"	100,0	78,5	154	2	1,95
504F130100	4"	125,0	97,0	196	1	3,22



Te reducida
FIG 132

Acero Inoxidable 1.4404 / A-316L
150 PSI

Código	DN	ØA mm	ØC mm	L1 mm	L2 mm	Bolsa unidades	Peso kg/u.
504F132008006	1/4 x 1/8"	17,0	21,0	18,0	19,0	10	0,06
504F132010008	3/8 x 1/4"	21,0	23,0	20,0	22,0	10	0,07
504F132015010	1/2 x 3/8"	23,5	29,0	26,0	25,0	10	0,12
504F132020015	3/4 x 1/2"	30,0	37,0	30,0	32,0	10	0,23
504F132025015	1" x 1/2"	30,5	44,0	32,0	33,4	10	0,31
504F132025020	1" x 3/4"	35,8	44,0	35,0	35,0	10	0,32
504F132032015	1.1/4" x 1/2"	28,8	51,4	34,0	38,0	5	0,33
504F132032020	1.1/4" x 3/4"	35,8	51,4	38,0	40,0	5	0,34
504F132032025	1.1/4" x 1"	43,3	51,4	40,0	42,0	5	0,43
504F132040015	1.1/2" x 1/2"	28,8	57,9	35,8	42,0	5	0,42
504F132040020	1.1/2" x 3/4"	35,8	57,9	38,0	43,0	5	0,47
504F132040025	1.1/2" x 1"	43,3	57,9	41,0	45,0	5	0,52
504F132040032	1.1/2" x 1.1/4"	51,4	57,9	45,0	48,0	5	0,58
504F132050015	2" x 1/2"	28,8	71,0	38,0	48,0	5	0,59
504F132050020	2" x 3/4"	35,8	71,0	41,0	49,0	5	0,66
504F132050025	2" x 1"	43,3	71,0	44,0	51,0	5	0,74
504F132050032	2" x 1.1/4"	51,4	71,0	48,0	54,0	5	0,79
504F132050040	2" x 1.1/2"	57,9	71,0	52,0	55,0	5	0,87




Entronque
FIG 149
Tubo sin soldadura

Acero Inoxidable 1.4404 / A-316L
Norma EN 10241

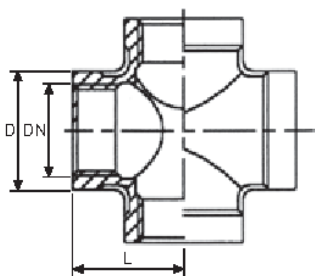
Código	DN	D mm	L mm	E mm	B mm	Bolsa unidades	Peso kg/u.
504F149006	1/8"	10,0	25	2,0	7	10	0,01
504F149008	1/4"	13,6	25	2,3	10	10	0,02
504F149010	3/8"	17,2	30	2,3	10	10	0,03
504F149015	1/2"	21,3	35	2,6	13	10	0,04
504F149020	3/4"	26,9	40	2,6	15	10	0,06
504F149025	1"	33,7	40	3,2	17	10	0,08
504F149032	1.1/4"	42,4	50	3,2	19	5	0,13
504F149040	1.1/2"	48,3	50	3,6	19	5	0,14
504F149050	2"	60,3	50	3,6	23	5	0,22
504F149065	2.1/2"	76,1	60	3,6	27	1	0,28
504F149080	3"	88,9	70	4,0	30	1	0,71
504F149100	4"	114,3	80	4,5	36	1	1,10




Entronque doble
FIG 150
Tubo sin soldadura

Acero Inoxidable 1.4404 / A-316L

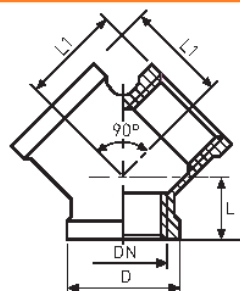
Código	DN	D mm	L mm	E mm	B mm	Bolsa unidades	Peso kg/u.
504F150008	1/4"	13,6	40	2,0	10	10	0,02
504F150010	3/8"	17,2	40	2,3	10	10	0,03
504F150015	1/2"	21,3	55	2,3	13	10	0,06
504F150020	3/4"	26,9	60	2,6	15	10	0,07
504F150025	1"	33,7	65	2,6	17	10	0,11
504F150032	1.1/4"	42,4	75	3,2	19	5	0,19
504F150040	1.1/2"	48,3	75	3,2	19	5	0,22
504F150050	2"	60,3	90	3,6	23	5	0,39
504F150065	2.1/2"	76,1	100	3,6	27	1	0,50
504F150080	3"	88,9	110	3,6	30	1	0,72
504F150100	4"	114,3	125	4,0	36	1	0,88



Cruz hembra
FIG 180

Acero Inoxidable 1.4408 / A-316
150 PSI

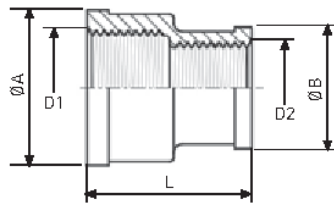
Código	DN	D mm	L mm	Bolsa unidades	Peso kg/u.
504F180006	1/8"	15,2	17,0	10	0,038
504F180008	1/4"	19,7	18,5	10	0,072
504F180010	3/8"	23,3	22,9	10	0,103
504F180015	1/2"	28,0	26,8	10	0,144
504F180020	3/4"	34,8	32,0	10	0,249
504F180025	1"	43,6	37,5	10	0,435
504F180032	1.1/4"	53,0	45,9	5	0,701
504F180040	1.1/2"	58,0	47,6	5	0,768
504F180050	2"	71,0	58,0	5	1,258
504F180065	2.1/2"	87,0	69,0	2	1,770
504F180080	3"	99,0	77,0	1	2,031
504F180100	4"	125,0	97,0	1	3,490



Racor "Y"
FIG 220

Acero Inoxidable 1.4408 / A-316
150 PSI

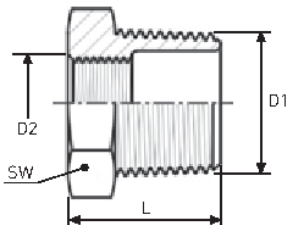
Código	DN	D mm	L mm	L1 mm	Bolsa unidades	Peso kg/u.
504F220006	1/8"	17,0	10,0	17,0	10	0,040
504F220008	1/4"	21,0	13,0	19,0	10	0,064
504F220010	3/8"	25,0	14,0	23,0	10	0,100
504F220015	1/2"	29,0	18,0	27,0	10	0,128
504F220020	3/4"	35,0	20,0	32,0	10	0,193
504F220025	1"	43,0	23,0	38,0	10	0,323
504F220032	1.1/4"	52,0	28,0	46,0	5	0,485
504F220040	1.1/2"	58,0	30,0	48,0	5	0,565
504F220050	2"	71,0	34,0	57,0	5	0,890



**Manguito reducción
FIG 240**

Acero Inoxidable 1.4408 / A-316
150 PSI

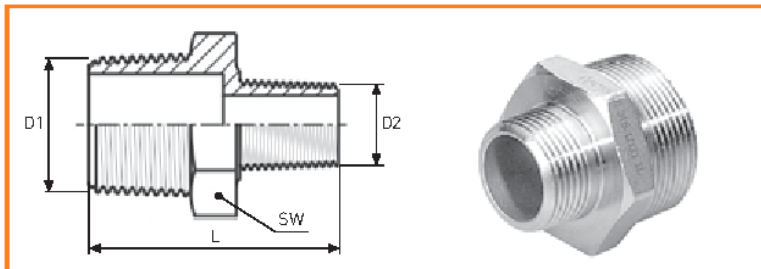
Código	D1	D2	ØA mm	ØB mm	L mm	Bolsa unidades	Peso kg/u.
504F240008006	1/4"	1/8"	21,5	19,0	26,0	10	0,03
504F240010008	3/8"	1/4"	26,0	21,5	29,0	10	0,05
504F240015010	1/2"	3/8"	29,0	22,4	34,0	10	0,07
504F240020015	3/4"	1/2"	37,0	28,1	37,0	10	0,12
504F240025015	1"	1/2"	43,0	29,4	42,0	10	0,15
504F240025020	1"	3/4"	43,0	32,0	42,0	10	0,15
504F240032025	1.1/4"	1"	52,0	39,0	52,0	5	0,23
504F240040025	1.1/2"	1"	59,0	43,5	53,0	5	0,29
504F240040032	1.1/2"	1.1/4"	59,0	50,0	53,0	5	0,30
504F240050025	2"	1"	72,0	43,0	56,0	5	0,46
504F240050040	2"	1.1/2"	72,0	56,7	57,0	5	0,45



**Tuerca reducción
FIG 241**

Acero Inoxidable 1.4408 / A-316
150 PSI

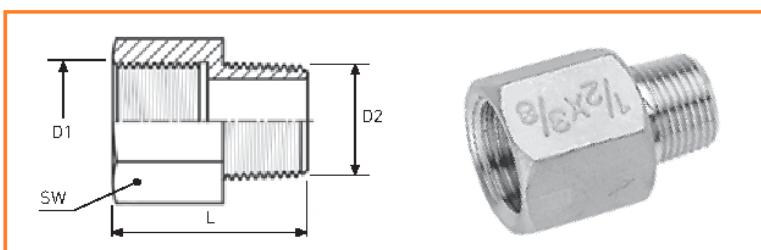
Código	D1	D2	L mm	SW mm	Bolsa unidades	Peso kg/u.
504F241008006	1/4"	1/8"	15,2	16,0	10	0,01
504F241010006	3/8"	1/8"	16,5	18,0	10	0,02
504F241010008	3/8"	1/4"	16,5	18,0	10	0,01
504F241015008	1/2"	1/4"	22,0	26,0	10	0,04
504F241015010	1/2"	3/8"	22,0	26,0	10	0,03
504F241020008	3/4"	1/4"	24,0	30,0	10	0,07
504F241020010	3/4"	3/8"	24,0	30,0	10	0,06
504F241020015	3/4"	1/2"	24,0	30,0	10	0,05
504F241025015	1"	1/2"	27,0	35,0	10	0,10
504F241025020	1"	3/4"	27,0	35,0	10	0,08
504F241032015	1.1/4"	1/2"	30,0	45,0	5	0,19
504F241032020	1.1/4"	3/4"	30,0	45,0	5	0,17
504F241032025	1.1/4"	1"	30,0	45,0	5	0,13
504F241040015	1.1/2"	1/2"	38,0	52,0	5	0,31
504F241040020	1.1/2"	3/4"	38,0	52,0	5	0,31
504F241040025	1.1/2"	1"	38,0	52,0	5	0,27
504F241040032	1.1/2"	1.1/4"	38,0	52,0	5	0,20
504F241050025	2"	1"	37,0	63,0	5	0,35
504F241050032	2"	1.1/4"	37,0	63,0	5	0,36
504F241050040	2"	1.1/2"	37,0	63,0	5	0,30
504F241065040	2.1/2"	1.1/2"	45,0	81,0	5	0,65
504F241065050	2.1/2"	2"	45,0	81,0	5	0,55
504F241080050	3"	2"	47,0	95,0	2	1,03
504F241080065	3"	2.1/2"	47,0	95,0	2	0,84
504F241100050	4"	2"	52,0	120,0	2	1,99
504F241100065	4"	2.1/2"	52,0	120,0	2	1,63
504F241100080	4"	3"	52,0	120,0	2	1,49



**Machón reducido
FIG 245**

Acero Inoxidable 1.4408 / A-316
150 PSI

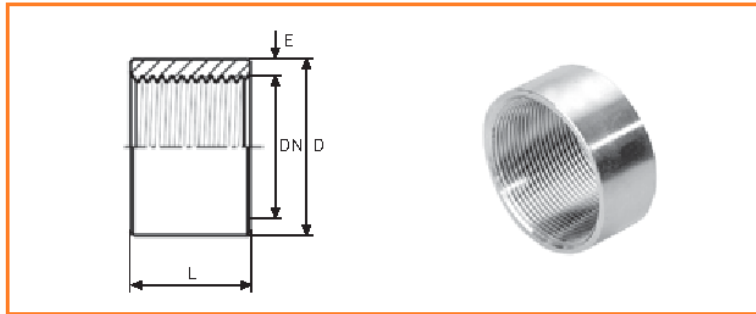
Código	D1	D2	L mm	SW mm	Bolsa unidades	Peso kg/u.
504F245008006	1/4"	1/8"	34.0	18.0	10	0,03
504F245010006	3/8"	1/8"	35.0	21.0	10	0,04
504F245010008	3/8"	1/4"	35.5	21.0	10	0,05
504F245015008	1/2"	1/4"	34.0	26.0	10	0,05
504F245015010	1/2"	3/8"	41.0	26.0	10	0,07
504F245020010	3/4"	3/8"	37.0	30.0	10	0,08
504F245020015	3/4"	1/2"	45.0	30.0	10	0,10
504F245025015	1"	1/2"	44.2	35.0	10	0,12
504F245025020	1"	3/4"	50.0	37.0	10	0,15
504F245032015	1.1/4"	1/2"	48.0	46.0	5	0,21
504F245032020	1.1/4"	3/4"	52.0	46.0	5	0,21
504F245032025	1.1/4"	1"	54.0	46.0	5	0,22
504F245040020	1.1/2"	3/4"	53.0	50.0	5	0,25
504F245040025	1.1/2"	1"	53.0	50.0	5	0,27
504F245040032	1.1/2"	1.1/4"	59.0	51.5	5	0,31
504F245050025	2"	1"	57.0	63.0	5	0,34
504F245050032	2"	1.1/4"	58.0	63.0	5	0,37
504F245050040	2"	1.1/2"	65.4	64.0	5	0,43
504F245065040	2.1/2"	1.1/2"	77.0	76.3	2	0,74
504F245065050	2.1/2"	2"	77.0	76.3	5	0,93
504F245080050	3"	2"	74.0	95.0	2	1,03
504F245080065	3"	2.1/2"	84.0	92.5	2	1,36
504F245100050	4"	2"	82.0	125.0	2	1,75
504F245100065	4"	2.1/2"	82.0	125.0	2	1,75
504F245100080	4"	3"	94.0	117.4	2	2,20



**Manguito H-M
FIG 246**

Acero Inoxidable 1.4408 / A-316
150 PSI

Código	D1	D2	L mm	SW mm	Bolsa unidades	Peso kg/u.
504F246008006	1/4"	1/8"	26.0	15.0	10	0,02
504F246010008	3/8"	1/4"	28.5	17.0	10	0,04
504F246010010	3/8"	3/8"	31.0	21.0	10	0,04
504F246015010	1/2"	3/8"	37.5	26.0	10	0,06
504F246015015	1/2"	1/2"	41.0	32.0	10	0,07
504F246020015	3/4"	1/2"	46.0	38.0	10	0,10
504F246020020	3/4"	3/4"	49.0	50.0	10	0,10
504F246025020	1"	3/4"	51.0	54.0	10	0,13
504F246025025	1"	1"	57.0	68.0	10	0,14

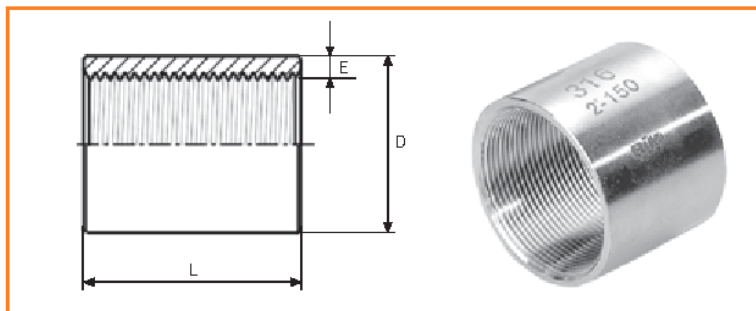


Medio manguito H-H
FIG 269

Tubo sin soldadura

Acero Inoxidable 1.4404 / A-316L

Código	DN	D mm	L mm	E mm	Bolsa unidades	Peso kg/u.
504F269006	1/8"	15	8	2,35	10	0,007
504F269008	1/4"	18,5	11	2,40	10	0,012
504F269010	3/8"	21,3	12	2,05	10	0,014
504F269015	1/2"	26,6	15	2,65	10	0,026
504F269020	3/4"	31,8	17	2,55	10	0,036
504F269025	1"	39,5	20	3,05	10	0,064
504F269032	1.1/4"	48,3	22	3,05	5	0,088
504F269040	1.1/2"	54,5	22	3,10	5	0,105
504F269050	2"	66,2	26	2,95	5	0,164
504F269065	2.1/2"	82	30	4,50	1	0,245
504F269080	3"	95	34	3,05	1	0,312
504F269100	4"	121,4	40	3,55	1	0,630

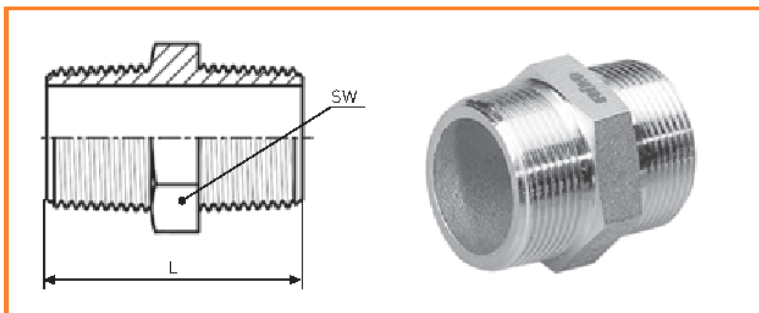


Manguito H-H
FIG 270

Tubo sin soldadura

Acero Inoxidable 1.4404 / A-316L

Código	DN	L mm	E mm	D mm	Bolsa unidades	Peso kg/u.
504F270006	1/8"	17	3,0	15,0	10	0,02
504F270008	1/4"	25	3,4	18,5	10	0,03
504F270010	3/8"	26	3,1	21,3	10	0,04
504F270015	1/2"	34	4,0	26,6	10	0,06
504F270020	3/4"	36	4,0	31,8	10	0,08
504F270025	1"	43	4,7	39,5	10	0,14
504F270032	1.1/4"	48	4,8	48,3	5	0,23
504F270040	1.1/2"	48	4,6	54,5	5	0,27
504F270050	2"	56	4,8	66,2	5	0,46
504F270065	2.1/2"	65	4,8	82,0	1	0,81
504F270080	3"	71	4,8	95,0	1	1,44
504F270100	4"	83	5,0	121,4	1	2,17

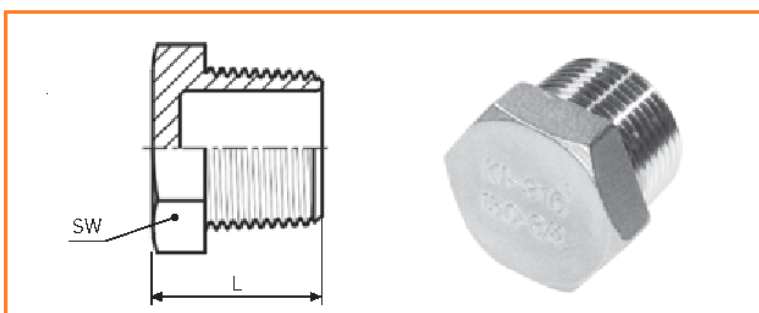


Machón

FIG 280

Acero Inoxidable 1.4408 / A-316
150 PSI

Código	DN	L mm	SW mm	Bolsa unidades	Peso kg/u.
504F280006	1/8"	26,0	12,0	10	0,01
504F280008	1/4"	27,8	16,0	10	0,02
504F280010	3/8"	28,0	19,0	10	0,03
504F280015	1/2"	34,0	21,6	10	0,05
504F280020	3/4"	40,0	30,0	10	0,08
504F280025	1"	46,0	36,0	10	0,12
504F280032	1.1/4"	52,5	46,0	5	0,23
504F280040	1.1/2"	54,0	50,0	5	0,26
504F280050	2"	62,0	64,5	5	0,40
504F280065	2.1/2"	70,0	79,5	2	0,72
504F280080	3"	78,4	90,0	2	0,88
504F280100	4"	94,0	120,0	1	1,87

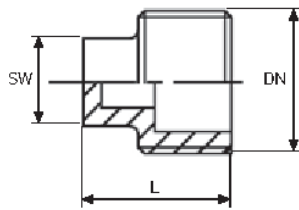


Tapón macho

FIG 290

Acero Inoxidable 1.4408 / A-316
150 PSI

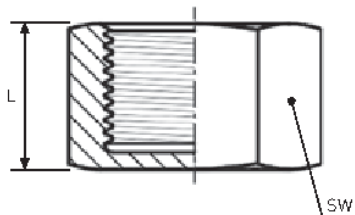
Código	DN	L mm	SW mm	Bolsa unidades	Peso kg/u.
504F290006	1/8"	17,0	12,0	10	0,02
504F290008	1/4"	17,5	16,0	10	0,03
504F290010	3/8"	18,0	20,0	10	0,04
504F290015	1/2"	25,0	24,0	10	0,05
504F290020	3/4"	26,0	30,0	10	0,07
504F290025	1"	29,0	38,0	10	0,12
504F290032	1.1/4"	35,0	46,0	5	0,21
504F290040	1.1/2"	38,0	52,0	5	0,30
504F290050	2"	39,0	65,0	5	0,44
504F290065	2.1/2"	44,0	81,0	2	0,71
504F290080	3"	54,0	94,0	2	1,11
504F290100	4"	55,0	119,0	1	1,98



**Tapón macho cuadrado
FIG 291**

Acero Inoxidable 1.4408 / A-316
150 PSI

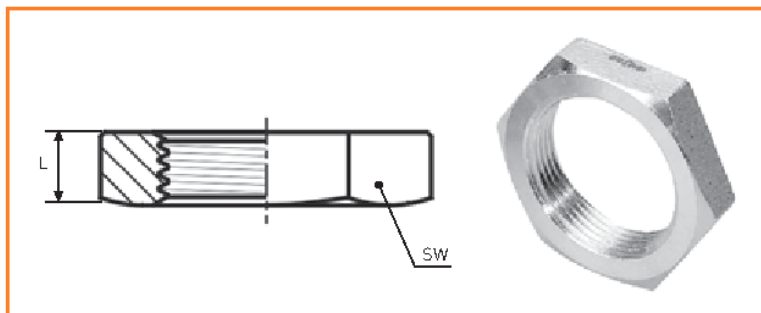
Código	DN	L mm	SW mm	Bolsa unidades	Peso kg/u.
504F291006	1/8"	16,5	6 x 6	10	0,01
504F291008	1/4"	20,0	9 x 9	10	0,02
504F291010	3/8"	23,0	11 x 11	10	0,03
504F291015	1/2"	25,0	13 x 13	10	0,04
504F291020	3/4"	27,0	16 x 16	10	0,05
504F291025	1"	32,0	20 x 20	10	0,10
504F291032	1.1/4"	35,0	24 x 24	5	0,14
504F291040	1.1/2"	36,0	25 x 25	5	0,15
504F291050	2"	38,0	32 x 32	5	0,24
504F291065	2.1/2"	48,0	42 x 42	5	0,62
504F291080	3"	52,0	46 x 46	2	0,91
504F291100	4"	62,0	58 x 58	2	1,59



**Tapón hembra
FIG 300**

Acero Inoxidable 1.4408 / A-316
150 PSI

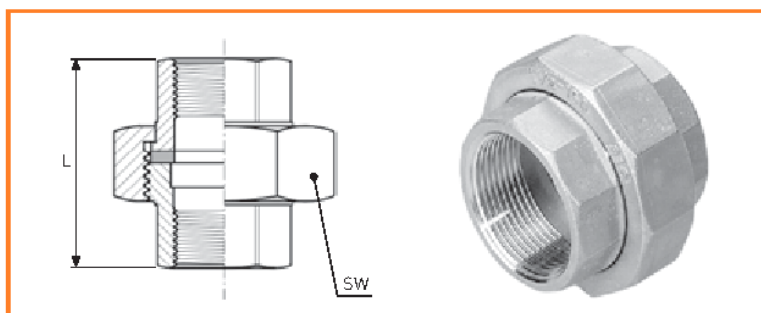
Código	DN	L mm	SW mm	Bolsa unidades	Peso kg/u.
504F300006	1/8"	14	15	10	0,02
504F300008	1/4"	18	18	10	0,03
504F300010	3/8"	17	21	10	0,04
504F300015	1/2"	21	27	10	0,06
504F300020	3/4"	24	30	10	0,07
504F300025	1"	26	38	10	0,12
504F300032	1.1/4"	28	50	5	0,23
504F300040	1.1/2"	30	55	5	0,25
504F300050	2"	33	70	5	0,49
504F300065	2.1/2"	38	91	2	1,20
504F300080	3"	40	108	2	1,77
504F300100	4"	50	133	2	2,72



**Contratuercia
FIG 312**

Acero Inoxidable 1.4408 / A-316
150 PSI

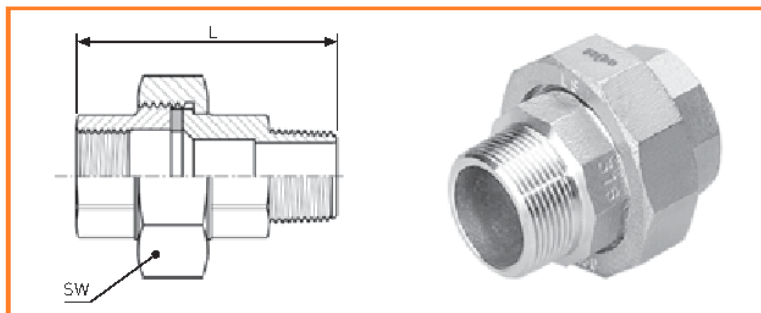
Código	DN	L mm	SW mm	Bolsa unidades	Peso kg/u.
504F312006	1/8"	6,2	14,6	10	0,01
504F312008	1/4"	7,0	23,0	10	0,02
504F312010	3/8"	8,0	26,0	10	0,03
504F312015	1/2"	10,0	31,0	10	0,04
504F312020	3/4"	11,0	37,0	10	0,06
504F312025	1"	10,0	46,0	10	0,08
504F312032	1.1/4"	11,0	55,0	5	0,11
504F312040	1.1/2"	12,0	63,0	5	0,15
504F312050	2"	13,0	76,0	5	0,22
504F312050	2.1/2"	16,0	95,0	5	0,45
504F312050	3"	19,0	105,0	5	0,58
504F312050	4"	20,0	131,0	2	0,77



**Enlace 3 piezas
PLANA FIG 330**
Con junta plana PTFE (teflón)

Acero Inoxidable 1.4408 / A-316
150 PSI

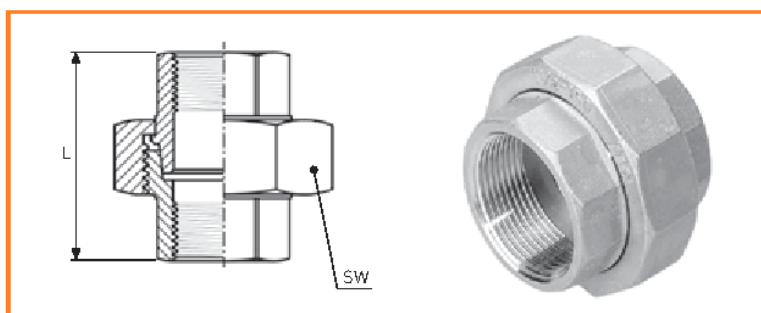
Código	DN	L mm	SW mm	Bolsa unidades	Peso kg/u.
504F330006	1/8"	40	29	10	0,06
504F330008	1/4"	42	29	10	0,10
504F330010	3/8"	45	34	10	0,12
504F330015	1/2"	48	39	10	0,20
504F330020	3/4"	52	47	10	0,27
504F330025	1"	58	58	10	0,31
504F330032	1.1/4"	65	67	5	0,72
504F330040	1.1/2"	70	77	5	0,80
504F330050	2"	78	90	5	1,19
504F330065	2.1/2"	85	110	2	1,81
504F330080	3"	95	130	2	2,60
504F330100	4"	110	157	1	4,35



Enlace 3 piezas H-M
PLANA FIG 331
Con junta plana PTFE (teflón)

Acero Inoxidable 1.4408 / A-316
150 PSI

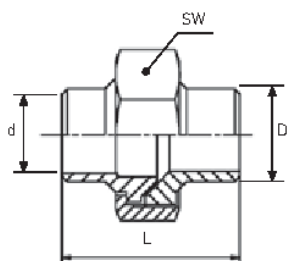
Código	DN	L mm	SW mm	Bolsa unidades	Peso kg/u.
504F331006	1/8"	40,0	25,0	10	0,06
504F331008	1/4"	50,0	30,0	10	0,10
504F331010	3/8"	50,0	35,0	10	0,13
504F331015	1/2"	58,0	42,0	10	0,23
504F331020	3/4"	67,0	47,0	10	0,31
504F331025	1"	68,3	53,0	10	0,39
504F331032	1.1/4"	83,0	71,0	5	0,84
504F331040	1.1/2"	86,3	78,0	5	0,94
504F331050	2"	94,0	92,0	5	1,45
504F331065	2.1/2"	113,0	112,0	2	2,35
504F331080	3"	127,0	126,0	2	3,43
504F331100	4"	154,5	157,0	1	5,87



Enlace 3 piezas
CÓNICA FIG 340

Acero Inoxidable 1.4408 / A-316
150 PSI

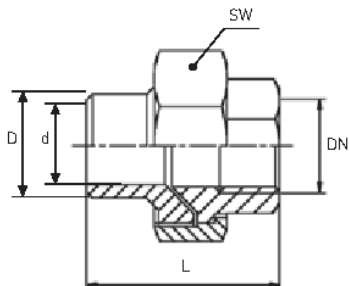
Código	DN	L mm	SW mm	Bolsa unidades	Peso kg/u.
504F340006	1/8"	29,0	25,0	10	0,05
504F340008	1/4"	37,5	30,0	10	0,10
504F340010	3/8"	38,0	35,0	10	0,12
504F340015	1/2"	42,0	42,0	10	0,21
504F340020	3/4"	49,0	47,0	10	0,27
504F340025	1"	48,0	53,0	10	0,32
504F340032	1.1/4"	59,0	71,0	5	0,72
504F340040	1.1/2"	65,0	77,0	5	0,80
504F340050	2"	69,0	92,0	5	1,19
504F340065	2.1/2"	80,0	112,0	2	2,05
504F340080	3"	88,0	126,0	2	2,59
504F340100	4"	108,0	157,0	1	4,30



Enlace 3 piezas soldar
CÓNICA FIG 340/BW

Acero Inoxidable 1.4408 / A-316
150 PSI

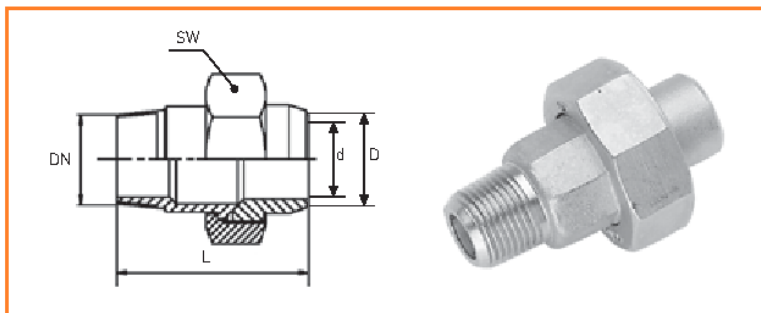
Código	DN	L mm	D mm	d mm	SW mm	Bolsa unidades	Peso kg/u.
504F340BW010	3/8"	38,0	17,2	12,7	35,0	10	0,11
504F340BW015	1/2"	42,0	21,3	16,7	42,0	10	0,17
504F340BW020	3/4"	50,4	26,9	21,5	47,0	10	0,23
504F340BW025	1"	48,0	33,7	26,5	53,0	10	0,33
504F340BW032	1.1/4"	59,0	42,4	35,8	71,0	5	0,64
504F340BW040	1.1/2"	64,0	48,3	42,0	78,0	5	0,67
504F340BW050	2"	69,0	60,3	53,3	92,0	5	1,04



Enlace 3 piezas H soldar
CÓNICA FIG 340/FBW

Acero Inoxidable 1.4404 / A-316L
150 PSI

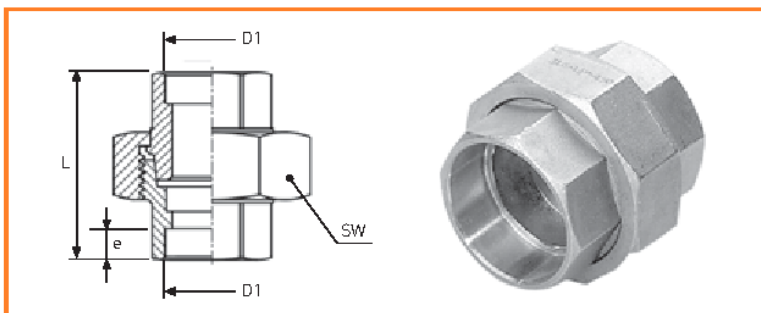
Código	DN	L mm	D mm	d mm	SW mm	Bolsa unidades	Peso kg/u.
504F340FBW010	3/8"	38,0	17,2	12,7	35,0	10	0,11
504F340FBW015	1/2"	42,0	21,3	16,7	42,0	10	0,19
504F340FBW020	3/4"	50,4	26,9	21,5	47,0	10	0,27
504F340FBW025	1"	48,0	33,7	26,5	53,0	10	0,32
504F340FBW032	1.1/4"	59,0	42,4	35,8	71,0	5	0,67
504F340FBW040	1.1/2"	64,0	48,3	42,0	78,0	5	0,73
504F340FBW050	2"	69,0	60,3	53,3	92,0	5	1,13



Enlace 3 piezas M soldar
CÓNICA FIG 340/MBW

Acero Inoxidable 1.4404 / A-316L
150 PSI

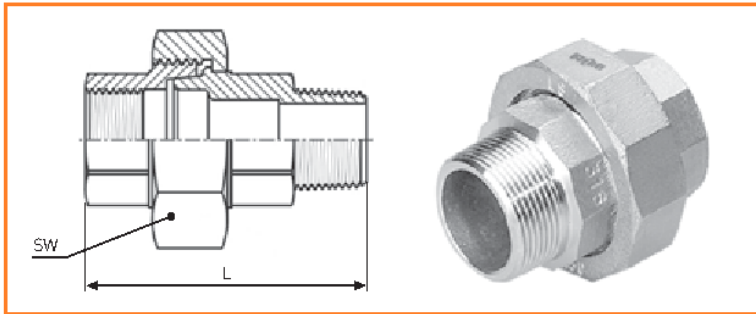
Código	DN	L mm	D mm	d mm	SW mm	Bolsa unidades	Peso kg/u.
504F340MBW010	3/8"	50,0	17,2	12,7	35,0	10	0,13
504F340MBW015	1/2"	58,4	21,3	16,7	42,0	10	0,21
504F340MBW020	3/4"	66,0	26,9	21,5	47,0	10	0,31
504F340MBW025	1"	64,4	33,7	26,5	53,0	10	0,40
504F340MBW032	1.1/4"	83,0	42,4	35,8	71,0	5	0,83
504F340MBW040	1.1/2"	86,3	48,3	42,0	78,0	5	0,93
504F340MBW050	2"	94,0	60,3	53,3	92,0	5	1,44



Enlace 3 piezas soldar
CÓNICA FIG 340S

Acero Inoxidable 1.4408 / A-316
150 PSI

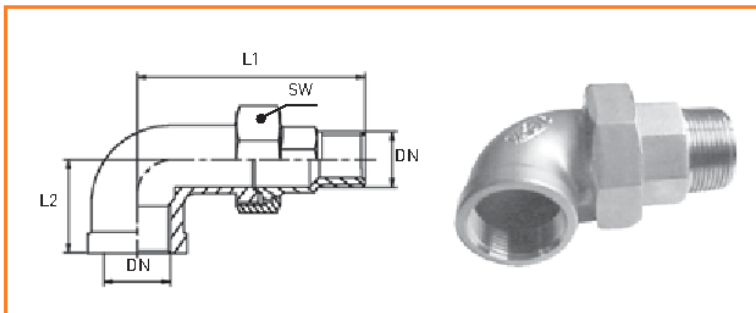
Código	DN	L mm	e mm	SW mm	D1 mm	Bolsa unidades	Peso kg/u.
504F340S006	1/8"	29,0	7,0	25,0	11,0	10	0,10
504F340S008	1/4"	37,5	7,0	30,0	14,4	10	0,10
504F340S010	3/8"	38,0	8,5	35,0	17,8	10	0,13
504F340S015	1/2"	42,0	8,5	42,0	22,0	10	0,20
504F340S020	3/4"	50,4	9,5	47,0	27,4	10	0,26
504F340S025	1"	48,0	11,5	53,0	34,1	10	0,41
504F340S032	1.1/4"	59,0	12,5	71,0	42,9	5	0,61
504F340S040	1.1/2"	65,0	12,5	78,0	48,9	5	0,77
504F340S050	2"	69,0	14,5	92,0	61,4	5	1,18
504F340S065	2.1/2"	80,0	14,5	112,0	74,1	2	1,77
504F340S080	3"	88,0	14,5	127,0	90,1	2	2,51
504F340S080	4"	108,0	15,0	157,0	115,7	1	2,51



**Enlace 3 piezas H-M
CÓNICA FIG 341**

Acero Inoxidable 1.4408 / A-316
150 PSI

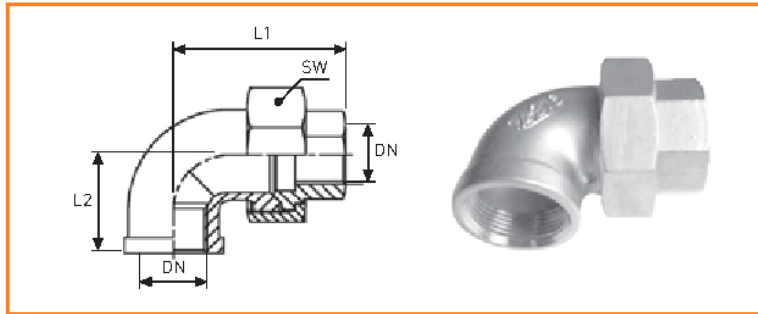
Código	DN	L mm	SW mm	Bolsa unidades	Peso kg/u.
504F341006	1/8"	40,0	25,0	10	0,06
504F341008	1/4"	50,0	30,0	10	0,11
504F341010	3/8"	50,0	35,0	10	0,13
504F341015	1/2"	58,0	42,0	10	0,23
504F341020	3/4"	67,0	47,0	10	0,31
504F341025	1"	68,3	53,0	10	0,39
504F341032	1.1/4"	83,0	71,0	5	0,85
504F341040	1.1/2"	86,3	78,0	5	0,96
504F341050	2"	94,0	92,0	5	1,47
504F341065	2.1/2"	113,3	112,0	2	2,46
504F341080	3"	127,0	126,0	2	3,45
504F341100	4"	154,5	157,0	1	5,72



**Enlace 3 pieza curva H-M
CÓNICA FIG 342**

Acero Inoxidable 1.4404 / A-316L
150 PSI

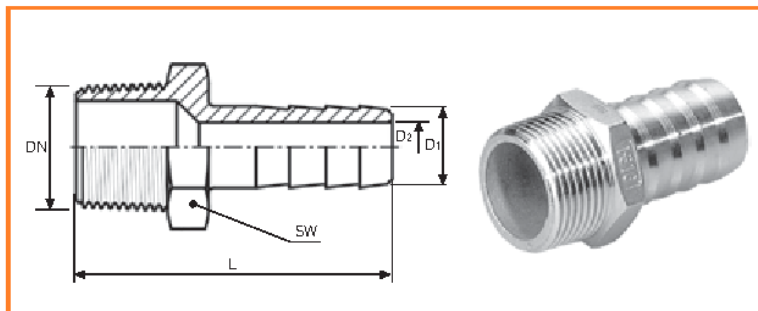
Código	DN	L1 mm	L2 mm	SW mm	Bolsa unidades	Peso kg/u.
504F342008	1/4"	58,6	21,0	30,0	10	0,15
504F342010	3/8"	61,0	25,0	35,0	10	0,19
504F342015	1/2"	71,0	28,0	42,0	10	0,27
504F342020	3/4"	78,7	33,0	47,0	10	0,41
504F342025	1"	88,4	38,0	53,0	10	0,60
504F342032	1.1/4"	102,9	45,0	71,0	5	1,14
504F342040	1.1/2"	110,3	50,0	78,0	3	1,32
504F342050	2"	119,4	58,0	92,0	2	1,99



Enlace 3 pieza curva H-H
CÓNICA FIG 343

Acero Inoxidable 1.4404 / A-316L
150 PSI

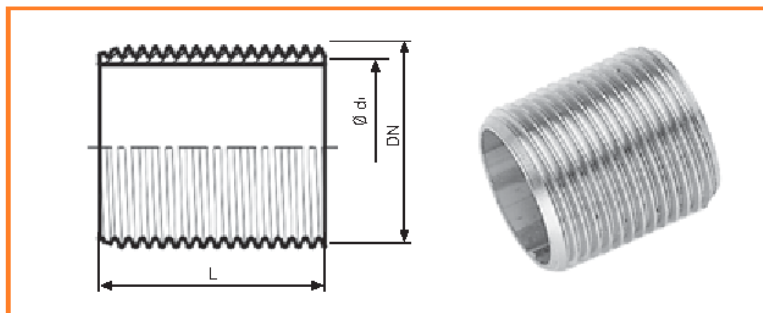
Código	DN	L1 mm	L2 mm	SW mm	Bolsa unidades	Peso kg/u.
504F343008	1/4"	46,2	21,0	30,0	10	0,15
504F343010	3/8"	49,0	25,0	35,0	10	0,19
504F343015	1/2"	56,0	28,0	42,0	10	0,27
504F343020	3/4"	62,7	33,0	47,0	10	0,41
504F343025	1"	68,0	38,0	53,0	10	0,60
504F343032	1.1/4"	79,5	45,0	71,0	5	1,14
504F343040	1.1/2"	88,0	50,0	78,0	5	1,32
504F343050	2"	93,8	58,0	92,0	2	1,99



Entronque manguera
FIG 399

Acero Inoxidable 1.4408 / A-316
150 PSI

Código	DN	D1 mm	D2 mm	L mm	SW mm	Bolsa unidades	Peso kg/u.
504F399006	1/8"	7,20	3,0	45,0	12,5	10	0,02
504F399008	1/4"	9,10	5,5	47,0	16,5	10	0,03
504F399010	3/8"	13,00	8,0	55,0	20,0	10	0,06
504F399011	3/8"	16,00	8,0	55,0	20,0	10	0,06
504F399015	1/2"	15,20	11,0	64,0	23,5	10	0,07
504F399016	1/2"	19,00	11,0	64,0	23,5	10	0,09
504F399020	3/4"	20,10	17,5	68,0	31,0	10	0,14
504F399021	3/4"	25,00	17,5	68,0	31,0	10	0,15
504F399025	1"	25,40	18,0	71,0	38,5	10	0,20
504F399026	1"	27,00	18,0	71,0	38,5	10	0,20
504F399032	1.1/4"	33,00	25,5	80,0	46,0	5	0,37
504F399040	1.1/2"	39,10	31,5	95,0	52,0	5	0,55
504F399050	2"	51,10	43,0	105,0	62,0	5	0,81



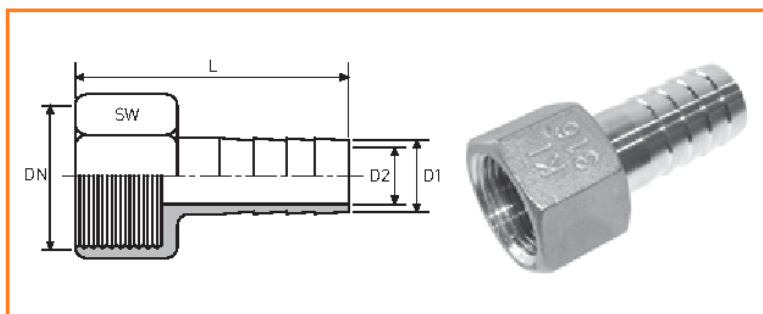
Manguito interior

FIG 531

Tubo sin soldadura

Acero Inoxidable 1.4404 / A-316L

Código	DN	di mm	L mm	Bolsa unidades	Peso kg/u.
504F531008	1/4"	9	18	10	0,01
504F531010	3/8"	12,2	22	10	0,01
504F531015	1/2"	15,5	25	10	0,02
504F531020	3/4"	21,5	30	10	0,03
504F531025	1"	27	35	10	0,05
504F531032	1.1/4"	34,7	38	5	0,08
504F531040	1.1/2"	41,2	38	5	0,08
504F531050	2"	53	45	5	0,12
504F531065	2.1/2"	69,3	55	1	0,21
504F531080	3"	80,5	60	1	0,30
504F531100	4"	105,3	70	1	0,50

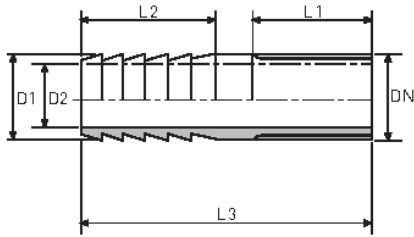


Unión manguera

FIG 599

Acero Inoxidable 1.4408 / A-316
150 PSI

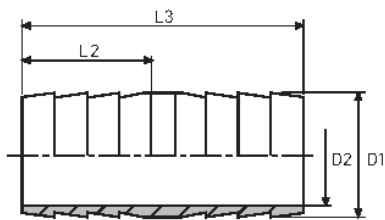
Código	DN	D1 mm	D2 mm	L mm	SW mm	Bolsa unidades	Peso kg/u.
504F599006	1/8"	6,5	3	39,0	15	10	0,022
504F599008	1/4"	9,0	4	42,0	19	10	0,041
504F599010	3/8"	11,0	6	53,0	22	10	0,055
504F599015	1/2"	14,0	8	62,0	27	10	0,096
504F599020	3/4"	20,5	14	63,5	32	10	0,133
504F599025	1"	25,0	17	66,0	38	10	0,216
504F599032	1.1/4"	33,0	26	74,0	50	5	0,328
504F599040	1.1/2"	39,5	32	87,5	56	5	0,419
504F599050	2"	52,0	43	94,5	68	5	0,679



**Entronque rosca-manguera
FIG 601**

Acero Inoxidable 1.4408 / A-316
150 PSI

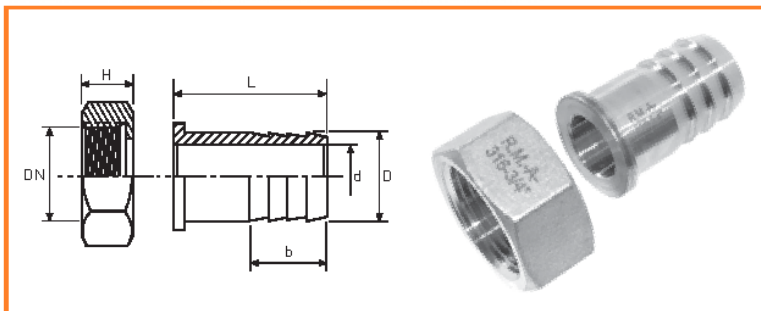
Código	DN	D1 mm	D2 mm	L1 mm	L2 mm	L3 mm	Bolsa unidades	Peso kg/u.
504F601008	1/4"	13,5	8,9	13	31	52	10	0,034
504F601010	3/8"	17,2	12,6	15	31	54	10	0,036
504F601015	1/2"	21,3	16,1	15	31	54	10	0,057
504F601020	3/4"	26,9	21,7	18	35	63	10	0,072
504F601025	1"	33,7	27,3	21	35	66	10	0,149
504F601032	1.1/4"	42,4	36,0	23	40	78	5	0,195
504F601040	1.1/2"	48,3	41,9	23	40	78	5	0,263
504F601050	2"	60,3	53,1	23	40	78	5	0,326



**Doble manguera
FIG 602**

Acero Inoxidable 1.4408 / A-316
150 PSI

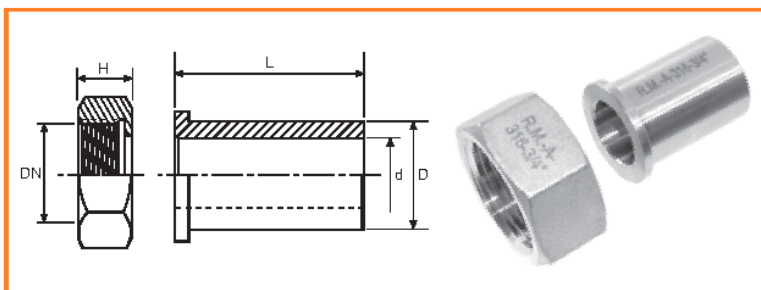
Código	Pipe O.D.	D1 mm	D2 mm	L2 mm	L3 mm	Bolsa unidades	Peso kg/u.
504F602008	1/4"	13,5	8,9	31	70	10	0,047
504F602010	3/8"	17,2	12,6	31	70	10	0,050
504F602015	1/2"	21,3	16,1	31	70	10	0,071
504F602020	3/4"	26,9	21,7	35	80	10	0,097
504F602025	1"	33,7	27,3	35	80	10	0,186
504F602032	1.1/4"	42,4	36,0	40	95	5	0,254
504F602040	1.1/2"	48,3	41,9	40	95	5	0,360
504F602050	2"	60,3	53,1	40	95	5	0,429



**Racor 2PR manguera
FIG 603**

Acero Inoxidable 1.4408 / A-316
150 PSI

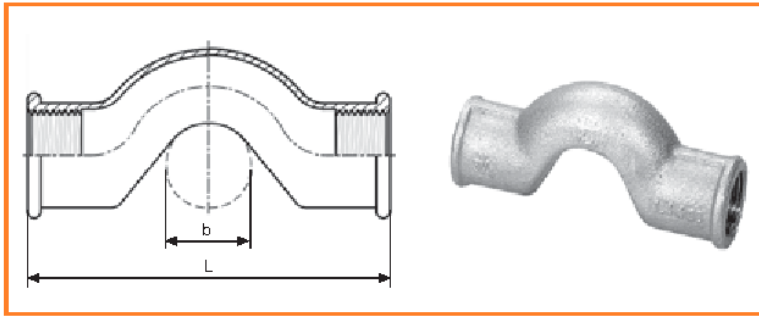
Código	DN	H mm	D mm	d mm	L mm	b mm	Bolsa unidades	Peso kg/u.
504F603010	3/8"	14	13	7,0	28	15	10	0,050
504F603015	1/2"	15	15	10,0	30	15	10	0,058
504F603020	3/4"	16	20	14,0	35	20	10	0,089
504F603025	1"	18	25	19,0	40	20	10	0,156
504F603032	1.1/4"	19	33	26,0	47	24	5	0,198
504F603040	1.1/2"	21	39	31,0	68	43	5	0,366
504F603050	2"	23	51	41,0	82	52	5	0,665



**Racor 2PR tubo
FIG 604**

Acero Inoxidable 1.4408 / A-316
150 PSI

Código	DN	H mm	D mm	d mm	L mm	Bolsa unidades	Peso kg/u.
504F604010	3/8"	14	13	7	20	10	0,047
504F604015	1/2"	15	15	10	25	10	0,056
504F604020	3/4"	16	20	15	30	10	0,081
504F604025	1"	18	25	19	35	10	0,155
504F604032	1.1/4"	19	33	27	40	5	0,181
504F604040	1.1/2"	21	39	32	45	5	0,304
504F604050	2"	23	51	42	50	5	0,507

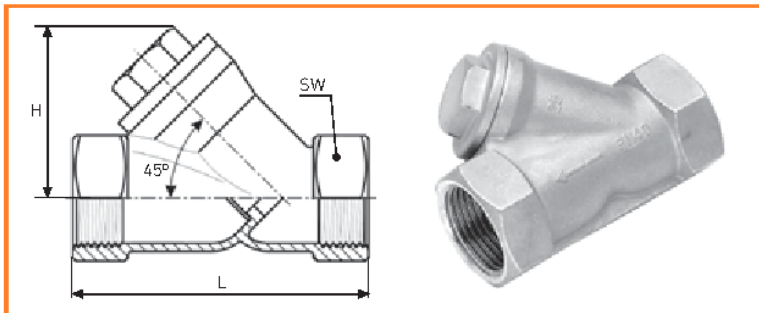


**Curva puente
FIG 85**

Acero Inoxidable 1.4408 / A-316
150 PSI

Código	DN	L mm	Bolsa unidades	Peso kg/u.
504F085010	3/8"	78	10	0,13
504F085015	1/2"	91	5	0,19
504F085020	3/4"	106	5	0,27
504F085025	1"	119	1	0,51

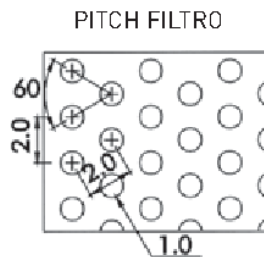
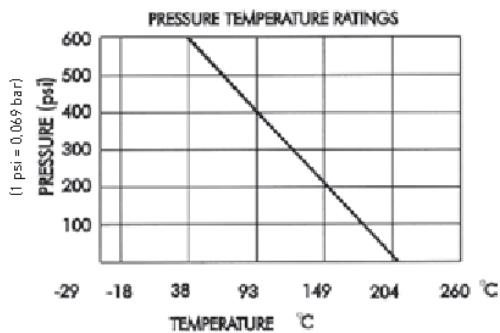
Hasta fin de existencias



**Filtro "Y"
PN40**

Acero Inoxidable 1.4408 / A-316

Código	DN	D mm	L mm	H mm	SW mm	Bolsa unidades	Peso kg/u.
60FY008	1/4"	10	65	35	24	1	0,221
60FY010	3/8"	12	65	35	24	1	0,233
60FY015	1/2"	15	60	38	27	1	0,245
60FY020	3/4"	20	69	42	34	1	0,365
60FY025	1"	25	85	50	41	1	0,700
60FY032	1.1/4"	32	99	55	50	1	0,950
60FY040	1.1/2"	38	111	59	60	1	1,179
60FY050	2"	51	137	73	70	1	1,837



Nº	Descripción	Materiales
1	Cuerpo	Microfusión A-316
2	Rejilla	AISI-316
3	Tapa	Microfusión A-316
4	Junta	PTFE
5	Tapón	AISI-316
6	Junta	PTFE