

Thermodynamic disc traps

The BV66 is a brand new line of compact and lightweight thermodynamic disc traps designed to efficiently discharge condensate on applications with working pressures up to 42 bar (609 psi). Disc trap completely made of Stainless Steel with integrated strainer. These simple, yet rugged, traps will provide economical long-term performance on drip leg, tracing, and process services.



Specifications

Size: 1/2", 3/4", 1"

End connections:

Threaded BSPP

Flange connections on request

Materials:

- Body: Stainless steel ASTM A743 (CA 40F)

- Cover: Stainless steel AISI 304

- Disc: Stainless steel AISI 420

- Strainer: Stainless steel AISI 304

- Strainer Cap: Stainless steel AISI 304

Maximum Operating Temperature: 400° C (752°F)

Operating Pressure: 42 bar g. (609 psig)

Maximum Back Pressure:

Must not exceed 80% of inlet pressure.

Design conditions:

63 bar g./400°C/Hidraulic test @ 95 bar g.

Installation:

Horizontal pipe for an appropriate use.

» Easy in-line inspection and maintenance

Simple one-piece thermodynamic cartridge which can be inspected and replaced without having to remove the steam trap from the line.

» Single moving part

Simple, yet effective design uses just one moving part to enhance minimal maintenance and long operating life.

» All parts made in Stainless Steel

Body material and trim are made in stainless steel. Besides, body surface is nickel plated to avoid oxidation.

» High capacities

Optimized porting configuration provides higher flow capacities than other cartridge designs.

» Rugged design

Withstands the effects of water hammer, vibration, and corrosive environments.



93 699 46 04



pedidos@suministrosrado.com www.suministrosrado.com

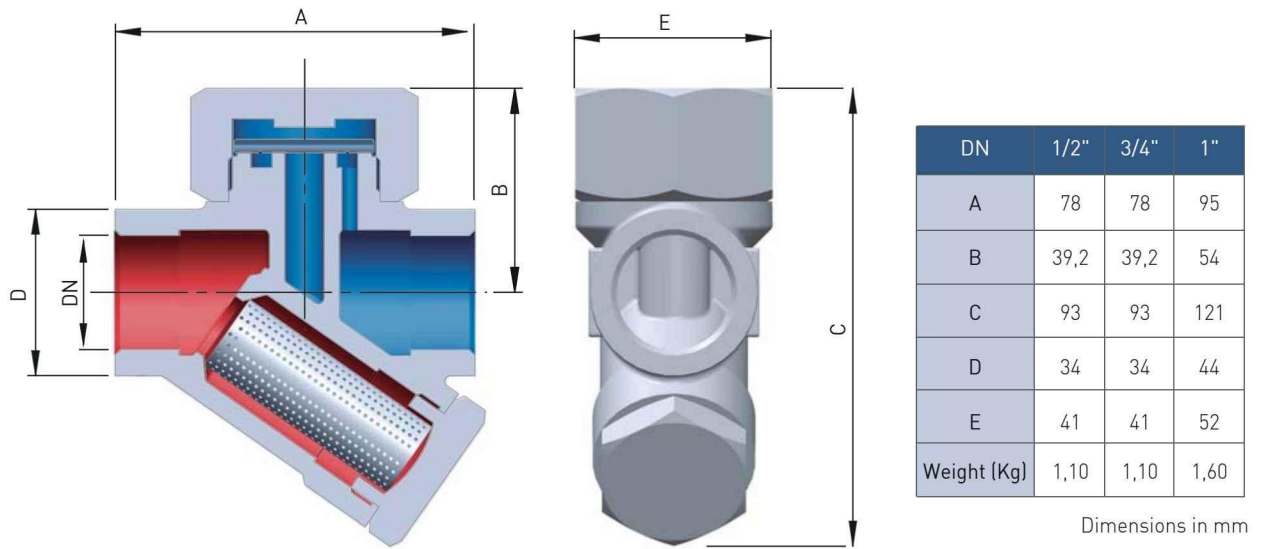
BV66

Max. operating temp. 400°C

Operating pressure 42 bar g

Stainless steel
ASTM A743 (CA 40F)

Dimensions and weight

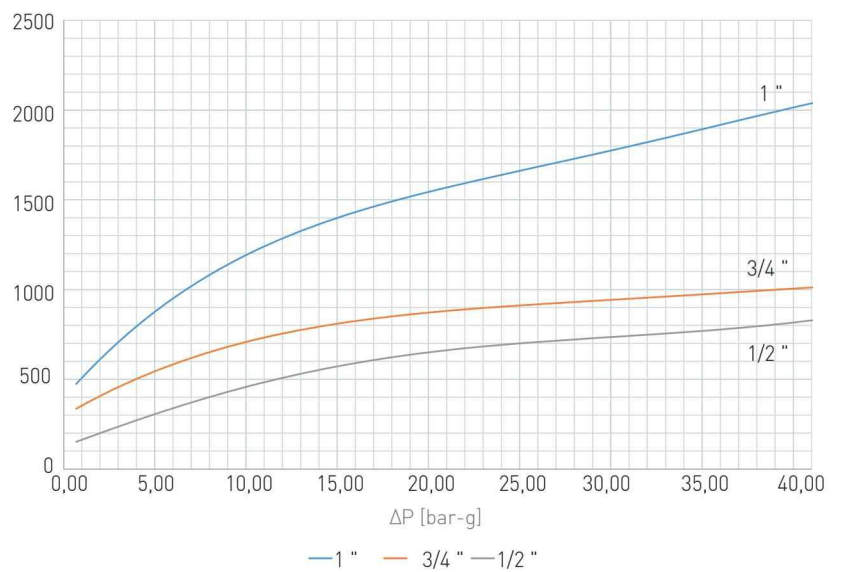


Discharge capacities

Differential Pressure Barg	1/2"	3/4"	1"
0,7	151	339	476
0,8	155	341	484
1	161	352	502
2	203	401	623
3	239	452	701
4	261	502	798
6	342	594	923
8	403	651	1069
10	454	701	1236
15	576	803	1398
20	642	886	1502
25	701	901	1699
30	725	949	1753
42	804	1043	2018

Note: Discharge capacities in Kg/h with outlet pressure 0 bar.

Discharge capacity [kg/h]

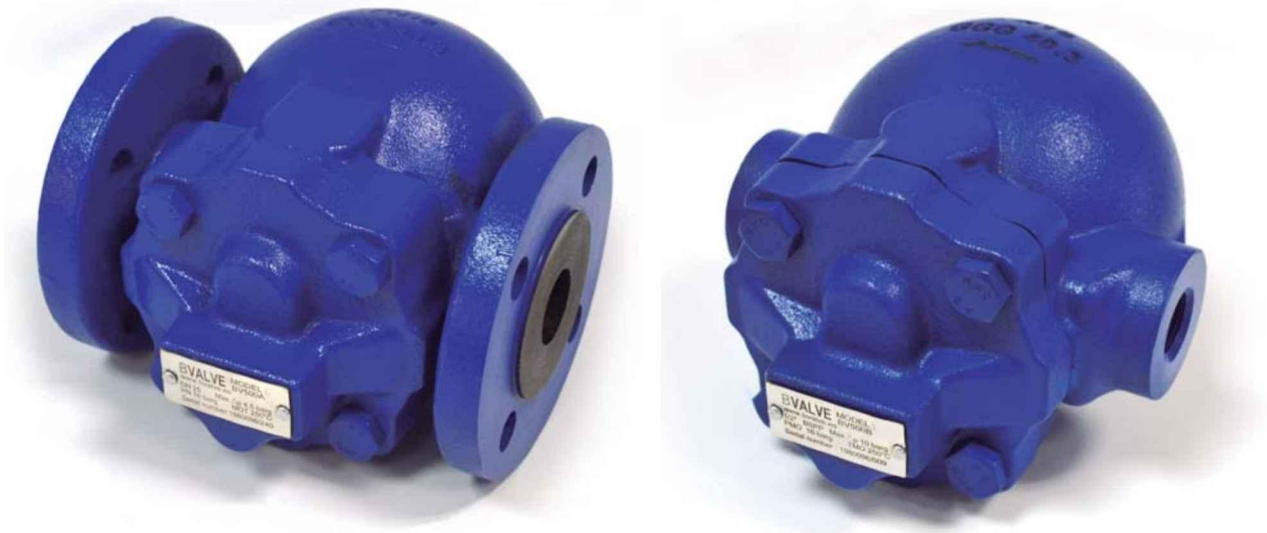


Float trap with thermostatic air vent

Flanged DIN PN 16

Threaded end BSPP

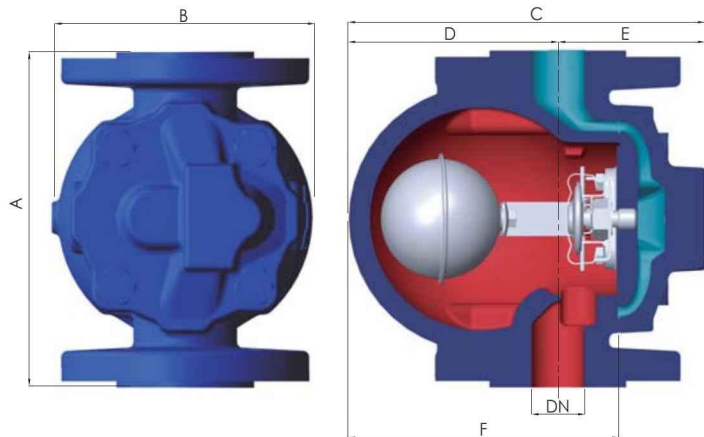
The BV500 is a float & thermostatic style steam trap with an inline, straight-through body design, which eliminates the staggered piping usually associated with this type of steam trap. It utilizes a stainless steel float and a simple lever mechanism to open or close the valve in correlation to the amount of condensate present. The opening is proportional to the condensate rate and is unaffected by instantaneous pressure changes. The BV500 is used where fast response and continuous condensate discharge is required such as on heat exchangers, tanks, pans, ovens, and drying cylinders.



Dimensions and weight flanges connection

DN	15	20	25	40	50
A	150	150	160	320	320
B	108,5	108,5	123	237,4	262,2
C	156	156	170	276,7	290,2
D	81,5	81,5	99,5	245,2	252,2
E	74,5	74,5	70,5	31,5	38
F	114	114	128	203	205
Weight (Kg)	3,2	3,2	4,7	17,6	22

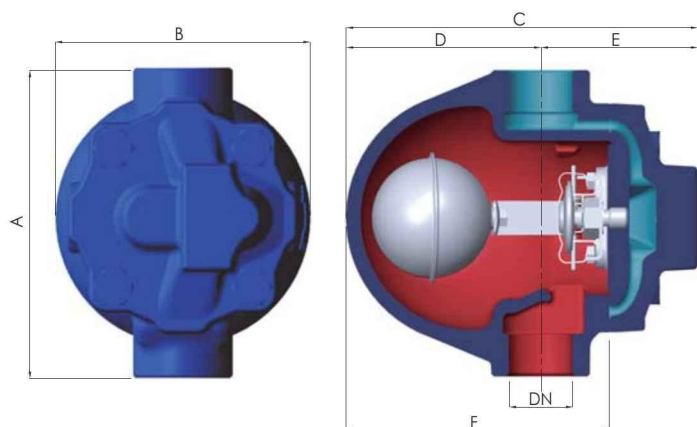
Dimensions in mm.



Dimensions and weight thread connection

DN	1/2"	3/4"	1"	1-1/2"	2"
A	145	145	145	270	300
B	120	120	120	237,4	262,2
C	167	167	167	280,2	292,2
D	92,5	92,5	92,5	245,2	252,2
E	74,5	74,5	74,5	35	40
F	125	125	125	203	205
Weight (Kg)	3,2	3,2	4,7	17,6	22

Dimensions in mm



93 699 46 04



pedidos@suministrosrado.com www.suministrosrado.com

BV500

Max. operating temperature: 250°C

Operating pressure: 16 barg

Installation

The BV500 steam trap must be fitted with the float arm in a horizontal plane so that the float will rise and fall vertically within the trap body. Nominal sizes DN 15, DN 20 and DN 25 can be installed both in horizontal and vertical pipes by turning the cover 90°.

Specifications

Sizes: DN 15, DN 20, DN 25, DN 40 and DN 50
 End connections: Flanged DIN PN 16 / Thread end BSPP
 Maximum Allowable Pressure: 25 bar
 Maximum Allowable Temperature: 300°C
 Maximum Operating Pressure: 16 bar
 Maximum Differential Pressure: 4,5 bar, 10 bar, 14 bar
 Maximum Operating Temperature: 250°C

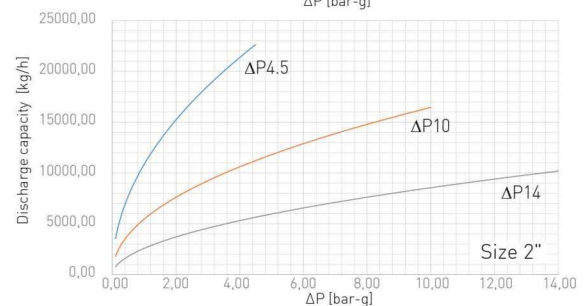
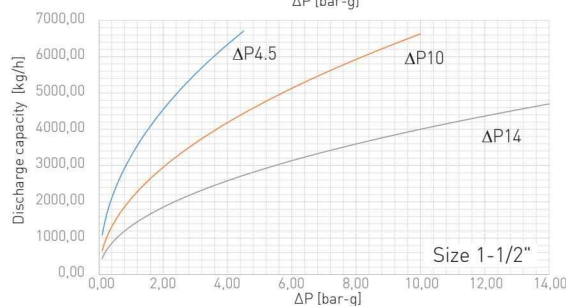
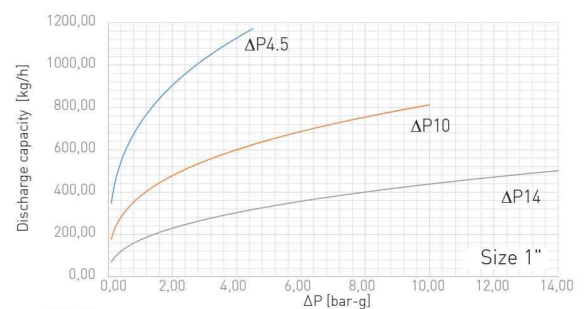
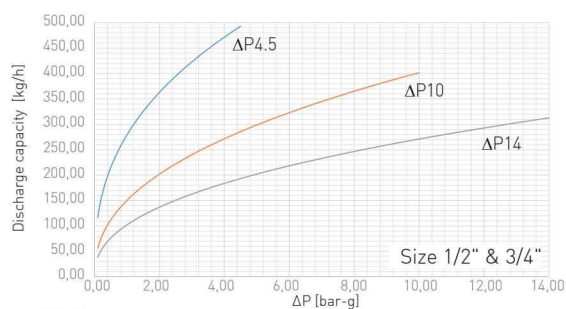
Materials:

Body & Cover: Ductile iron GGG 40.3
 Thermostatic Capsule: Stainless steel
 Air Vent Seat / Float Seat: Stainless steel 304
 Main Valve (Ball): Stainless steel 304
 Float & Float Lever: Stainless steel 304

Discharge capacities

Differential Pressure Barg	ΔP4,5 (A)				ΔP10 (B)				ΔP14 (C)			
	1/2"-3/4"	1"	1-1/2"	2"	1/2"-3/4"	1"	1-1/2"	2"	1/2"-3/4"	1"	1-1/2"	2"
0.1	115	365	1100	3500	55	187	660	1800	38	68	450	850
0.2	160	425	1450	4800	75	211	925	1600	52	90	625	1250
0.3	180	491	1800	6000	89	249	1150	3100	62	101	750	1450
0.4	190	523	2150	6950	100	280	1300	3500	70	133	850	1700
0.6	225	601	2650	8500	125	314	1625	4250	82	145	1050	2150
0.8	260	689	2950	9600	140	359	1825	4800	93	159	1200	2500
1	275	721	3250	12500	160	391	2125	5400	100	172	1300	2750
2	360	901	4500	15000	200	483	3000	7500	135	224	1800	3600
3	425	1003	5500	17500	240	552	3600	9200	170	272	2250	4500
4.5	500	1225	6700	22500	280	608	4400	11250	190	316	2750	5500
5					300	653	4600	11850	200	323	2900	5850
6					320	699	5100	13100	220	349	3200	6400
8					360	749	6000	15000	250	401	3600	7500
10					400	801	6700	16300	270	451	4000	8400
14									310	503	4700	9500

Notes: 1. Discharge capacities in Kg/h with outlet pressure 0 bar.



93 699 46 04



pedidos@suministrosrado.com www.suministrosrado.com

Y type strainers

Flanged ends



Features

BVALVE introduces its new Y type strainers which stop pipelines and equipment from blockage through the filtering of foreign matter which tends to build up in pipelines, such as solids or contaminants. They are therefore used to avoid expensive shut downs and to secure pumps' suction inlet, valves, and pipeline equipment from damaging.

Typical Applications

These may be applied on processes containing steam, thermal oil, water, hot water, compressed air, chemical fluids and LPG among others.

Specifications

Size:	DN15-DN300	Connections:	Flanges DIN EN1092-2 PN16
Body and cover:	Nodular cast iron EN-GJS-400-18-LT	Desing:	DIN EN 12516
Screen:	AISI304	Working Conditions:	EN 1092-2 PN16 (-10 °C / 350 °C)
Gasket:	Graphite	Face to Face:	DIN EN 558-1
Studs / nuts:	CARBON STEEL Gr.10.9	Test:	EN 12266-1 P10



93 699 46 04

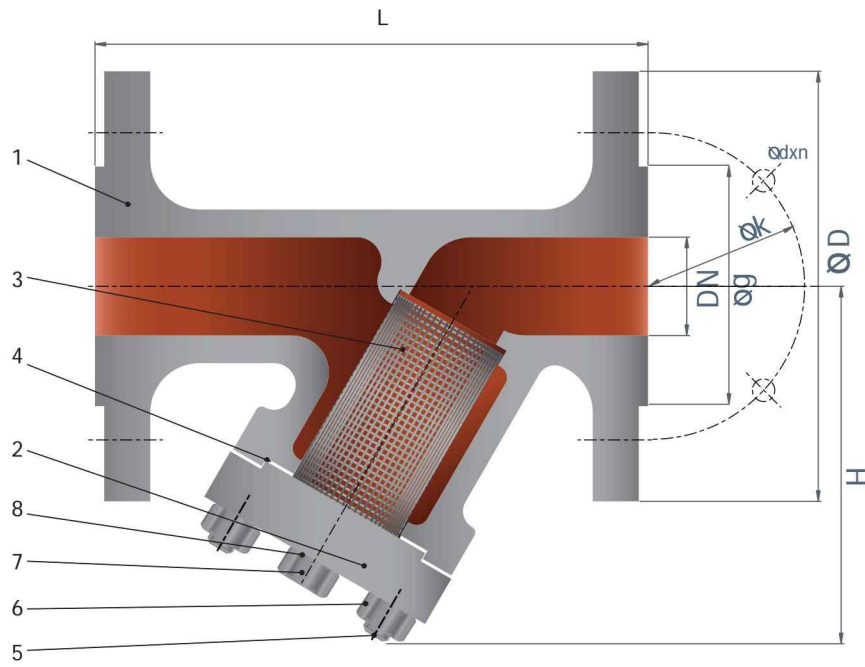


pedidos@suministrosrado.com www.suministrosrado.com

BV12064 | PN16 EN 1092-2

Nodular cast iron

Temperature min. -10°C
 Temperature max. +350°C



Nº	COMPONENT	MATERIALS
1	Body	EN-GJS-400-18-LT
2	Bonnet	EN-GJS-400-18-LT
3	Screen	Stainless Steel 304
4	Gasket	Graphite
5	Stud	CARBON STEEL Gr.10.9
6	Nut	CARBON STEEL Gr.10.9
7	Drain Plug	CARBON STEEL (Gr.1518)
8	Gasket	Graphite

DN / Size	Mesh (mm.)
15 - 50	1
65 - 80	1,25
100 - 300	1,60

DN200 - DN300 screens include supporting basket

Dimensions (mm)

DN / Size	15	20	25	32	40	50	65	80	100	125	150	200	250	300
L	130	150	160	180	200	230	290	310	350	400	480	600	730	850
H	66	72	85	90	118	133	180	210	247	284	326	432	538	605
ØD	95	105	115	140	150	165	185	200	220	250	285	340	405	460
Øk	65	75	85	100	110	125	145	160	180	210	240	295	355	410
dxn	14x4	14x4	14x4	19x4	19x4	19x4	19x4	19x8	19x8	19x8	23x8	23x12	28x12	28x12
Weight(kg)	2,2	2,8	3,5	5,5	7	9,5	24	31,3	42,4	84	96	110	180	286
Øg	46	56	65	76	84	99	118	132	156	184	211	266	319	370

WORKING CONDITIONS						
Temperature °C	-10/120	150	200	250	300	350
Pressure Bar	16	15,5	14,7	13,9	12,8	11,2



93 699 46 04



pedidos@suministrosrado.com www.suministrosrado.com

Y type strainers

Flanged ends



Features

BVALVE introduces its new Y type strainers which stop pipelines and equipment from blockage through the filtering of foreign matter which tends to build up in pipelines, such as solids or contaminants. They are therefore used to avoid expensive shut downs and to secure pumps suction inlet, valves and pipeline equipment from damaging.

Typical Applications

These may be applied on processes containing steam, thermal oil, water, hot water, compressed air, chemical fluids and LPG among others.

Specifications

Size:	DN15-DN300	Design:	EN 12916
Body / bonnet:	Carbon Steel DIN 17245 GS-C25 / 1.0619	Working Conditions:	EN 1092-1 (-10 °C / 400 °C)
Screen:	AISI 316 / 1.4401	Face to Face:	EN 558-1
Gasket:	Graphite	Test:	EN 12666-1 P10
Studs and nuts:	ASTM A193 B7 / 194-2H	Marking:	DIN EN 19
Connections:	Flanges DIN EN 1092-B1	Painting:	High temperature up to 600°C



93 699 46 04

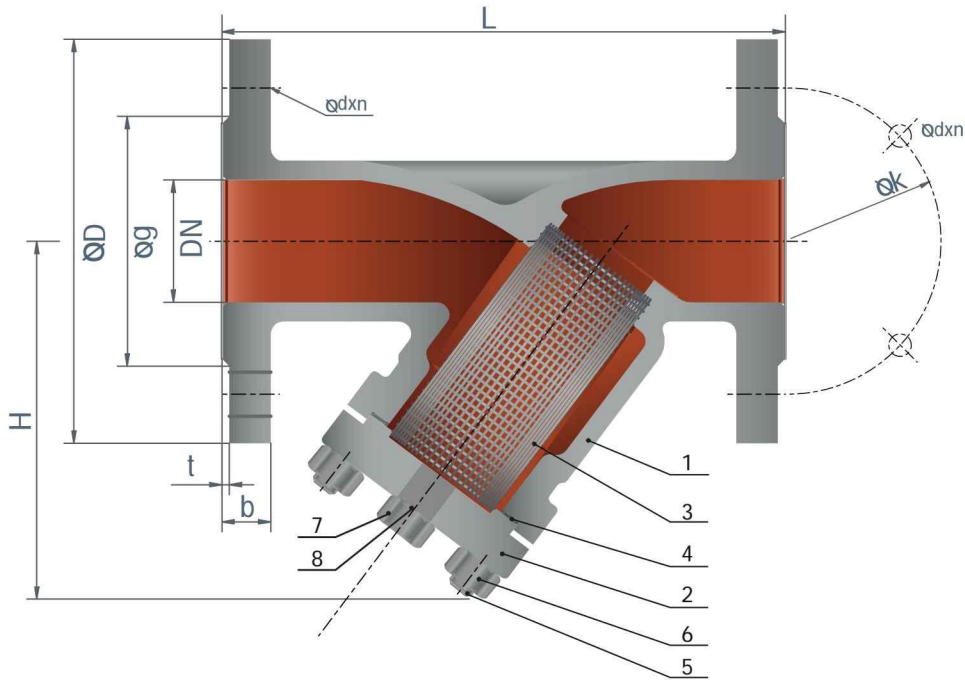


pedidos@suministrosrado.com www.suministrosrado.com

BV12065 | PN40 EN 1092-1

Carbon steel

Temperature min. -10°C
Temperature max. +400°C



Nº	COMPONENT	MATERIALS
1	Body	DIN 17245 GS-25
2	Bonnet	DIN 17245 GS-25
3	Screen	AISI 316 / 1.4401
4	Gasket	Graphite + Stainless Steel 16
5	Stud	ASTM A193 B7
6	Nut	ASTM A193 B7
7	Drain Plug	DIN 17243 C22 8
8	Gasket	Graphite + Stainless Steel 16

DN / Size	Mesh (mm.)
15 - 50	1
65 - 80	1,25
100 - 300	1,60

DN200 - DN300 screens are with supporting basket

Dimensions (mm)

DN / Size	15	20	25	32	40	50	65	80	100	125	150	200	250	300
L	130	150	160	180	200	230	290	310	350	400	480	600	730	850
H	97	98	108	113	138	147	170	204	240	288	334	380	452	600
ØD	95	105	115	140	150	165	185	200	235	270	300	375	450	515
Øk	65	75	85	100	110	125	145	160	190	220	250	320	385	450
b	16	18	18	18	18	20	22	24	24	26	28	34	38	42
dxn	14x4	14x4	14x4	18x4	18x4	18x4	18x8	18x8	22x8	26x8	26x8	30x12	33x12	33x16
Weight (Kg)	2,8	3,7	5,1	6,7	9,1	11,4	16,4	22,5	33	47,2	66,3	139	237	341
Øg	45	58	68	78	88	102	122	138	162	188	218	285	345	410
t	2	2	2	2	3	3	3	3	3	3	3	3	3	4

WORKING CONDITIONS

Temperature °C	-10/120	150	200	250	300	350	400
Pressure Bar	40	35,2	33,3	30,4	27,6	25,7	23,8



93 699 46 04



pedidos@suministrosrado.com www.suministrosrado.com

Y type strainers

Threaded ends



Features

BVALVE introduces its new Y type strainers which stop pipelines and equipment from blockage through the filtering of foreign matter which tends to build up in pipelines, such as solids or contaminants. They are therefore used to avoid expensive shut downs and to secure pumps suction inlet and pipeline equipment from damaging.

Typical Applications

These may be applied on processes containing steam, thermal oil, water, hot water, compressed air, chemical fluids and LPG among others.

Specifications

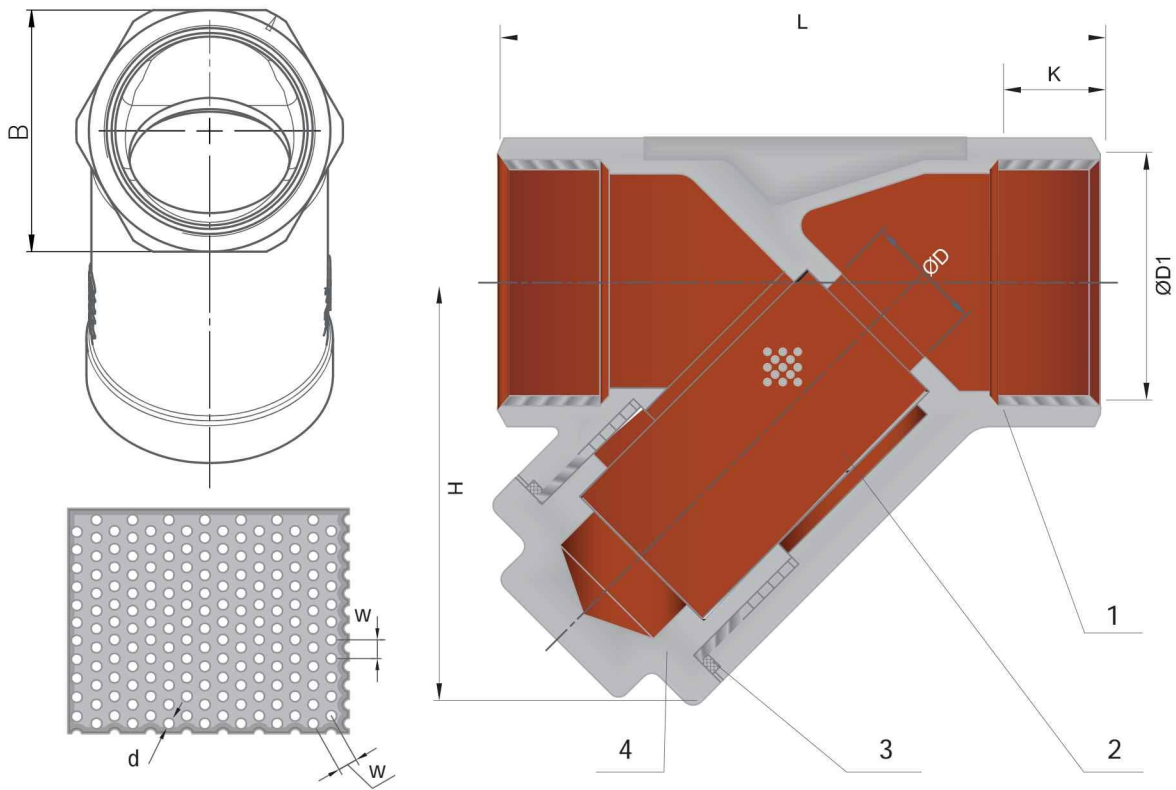
Sizes: 1/2" - 2"	Screwed-in cap
Investment casting	Connecting threads: Thread ends BSP female
Y type	Max operating temperature: 210°C
SS316 screen	Max operating pressure: PN40



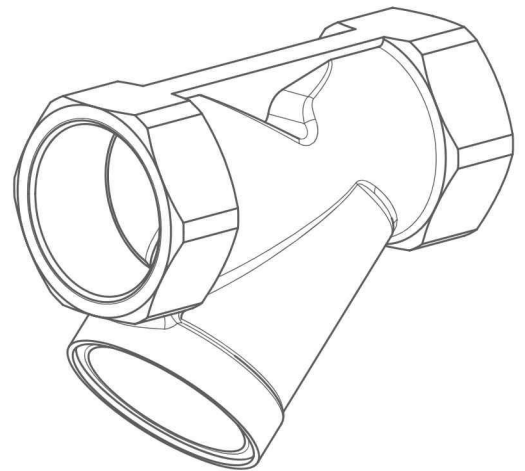
BV800 | PN40 EN 1092-1

Stainless steel

Temperature min. -10°C
Temperature max. +210°C



Nº	COMPONENT	MATERIALS
1	Body	A351-CF8M
2	Screen	SS316
3	Joint gasket	PTFE
4	Cap	A351-CF8M



Dimensions (mm)

Size	1/2"	3/4"	1"	1-1/4"	1-1/2"	2"
øD	15	20	25	32	40	50
B	26	32	40	48	55	68
(H)	45	52	68	70	80	98
L	64	80	90	106	119	140
øD1	1/2 BSP	3/4 BSP	1 BSP	1- 1/4 BSP	1-1/2 BSP	2 BSP
W	2	2	2	2	2	2
d	1	1	1	1	1	1
Kgs	0,2	0,320	0,565	0,735	1,040	1,630



93 699 46 04



pedidos@suministrosrado.com www.suministrosrado.com