



# WAFER TYPE BUTTERFLY VALVE Z 011-A therm



Wafer type valve Z 011-A with integrated thermometer.  
This construction is also deliverable for the series Z 014-A.

## TECHNICAL DATA

Nominal diameter:	DN 20 - DN 200 (available only with hand lever)
Deliverable for the series:	Z 011-A and Z 014-A
Face-to-face:	EN 558 Series 20 ISO 5752 Series 20 API 609 Table 1
Flange accommodation:	EN 1092 PN 6/10/16 ASME Class 150
Lap-joint flange:	EN 1092
Weld-on flange:	EN 1092
Flange Surface Design:	EN 1092 Form A/B ASME RF, FF
Top flange:	EN ISO 5211
Marking:	EN 19
Tightness check:	EN 12266 (Leakage rate A) ISO 5208, Category 3
Temperature range:	-20°C to +130°C (depending on pressure, medium and material)
Operating pressure:	max. 16 bar
Vacuum:	1 mbar absolute

## FEATURES

- EBRO therm butterfly valves are ready to accept thermometers, electronic thermo sensors (PT 100) or a system identification plate
- The valves are supplied with the mounting hole sealed and the thermometer is enclosed separately -marked to prevent confusion
- The patented be-metallic helix guarantees a quick reaction time during temperature changes and - due to its position in the valve disc -prevents the formation of a mixed temperature between the medium and the valve body

## GENERAL APPLICATIONS

- Civil engineering



93 699 46 04



pedidos@suministrosrado.com [www.suministrosrado.com](http://www.suministrosrado.com)



# WAFER TYPE PROCESS VALVE T 211-C



PTFE-lined wafer type valve for chemically toxic and highly corrosive media.

## TECHNICAL DATA

Nominal diameter:	DN (40)50 - DN 300
Face-to-face:	EN 558 Table 20
Flange accommodation:	EN 1092 PN 10/16 AS ME Class 150
Flange Surface Design:	EN 1092 Form A/B AS ME RF, FF
Top flange:	EN ISO 5211
Marking:	EN 19 PAS 1085
Tightness check:	EN 12266 (Leakage rate A)
Temperature range:	-40°C to +200°C (depending on working pressure)
Operating pressure:	max. 10 bar (16 bar special version)
Vacuum:	up to 1 mbar absolute, (with silicon elastomer inserts) from -10°C to +160°C

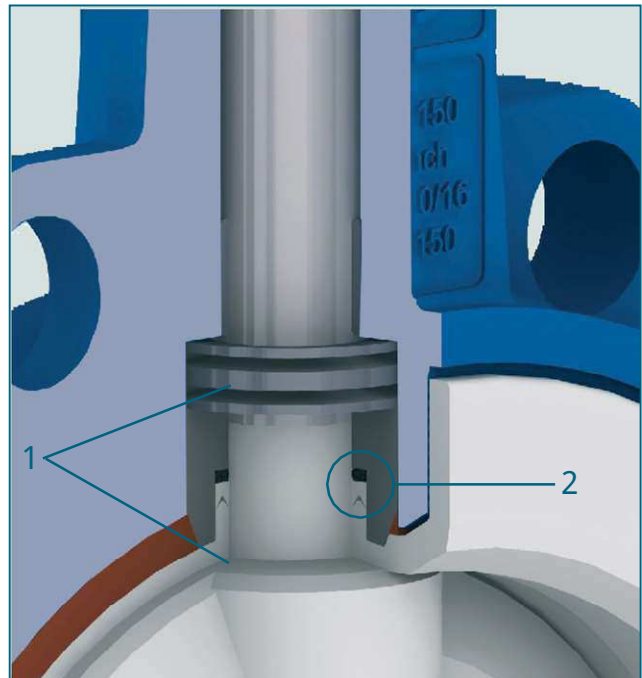
Valve Design  
acc. to PAS 1085

## FEATURES

- Environmental protection via EBRO-Safety seal
- TA-Luft/VDI 2440,RWT- V certified
- Isolation height according to plant prescription
- Maintenance-free
- Can be disassembled, material-specific recycling possible
- Material conform to FDA to EG 1935/2004

## DESIGN FEATURES

- Optimized low torques
- FEM dimensioned components
- Double flat shaft acc. to EN standards
- Shaft/disc: duplex (one-piece lost-wax casting)
- Triple shaft bearing



Safety seal at both shaft ends:

1. Primary sealing by means of a Belleville spring washer, transmitting prestress on the spherical segment area.
2. Secondary sealing of the shaft by means of PTFE-Chevron and o-ring.



93 699 46 04



pedidos@suministrosrado.com www.suministrosrado.com

# WAFER TYPE BUTTERFLY VALVE Z 011-AS



A low weight wafer type valve (body aluminium) which is optimally suited for applications in public swimming pools.

## TECHNICAL DATA

Nominal diameter:	DN 50 - DN 300 Larger diameters: See Z 011-A with aluminium body
Face-to-face:	EN 558 Series 20 ISO 5752 Series 20 API 609 Table 1
Flange accommodation:	EN 1092 PN 6/10/16 ASME Class 150 AS 4087 PN 16
Flange Surface Design:	EN 1092 Form A/B ASME RF, FF
Top flange:	EN ISO 5211
Marking:	EN 19
Tightness check:	EN 12266 (Leakage rate A) ISO 5208, Category 3
Temperature range:	-10°C to +100°C (depending on pressure, medium and material)
Operating pressure:	max. 3 bar

## FEATURES

- Low weight aluminium body
- Can be used as control valve or shut-off valve
- Triple shaft bearing
- Interchangeable seat
- Can be installed in any desired position
- Maintenance-free
- Can be disassembled, material specific recycling possible

## GENERAL APPLICATIONS

- Public swimming pools



93 699 46 04

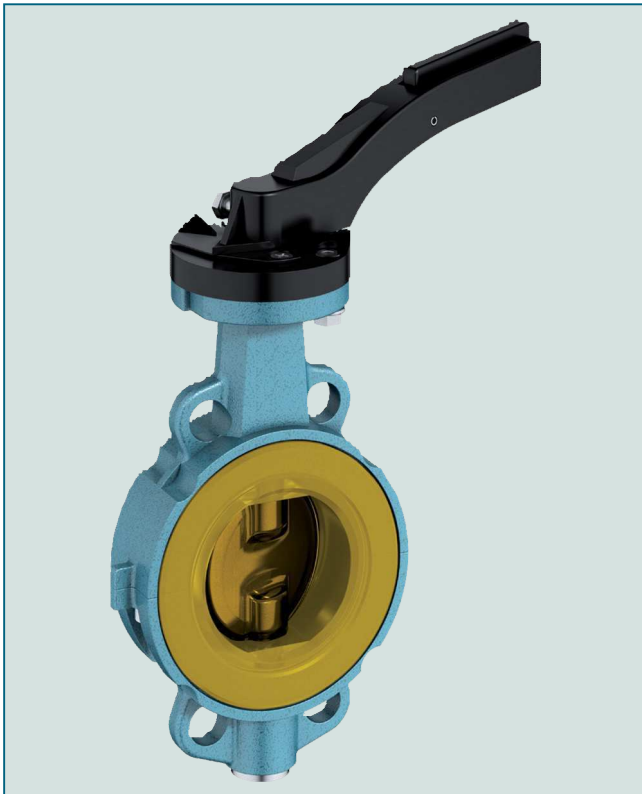


pedidos@suministrosrado.com [www.suministrosrado.com](http://www.suministrosrado.com)





# WAFER TYPE BUTTERFLY VALVE Z 011-GMX



Wafer type butterfly valve with special lining and disc for abrasive media.

## TECHNICAL DATA

Nominal diameter:	DN 50 - DN 300
Face-to-face:	EN 558 Series 20 ISO 5752 Series 20 API 609 Table 1
Flange accommodation:	EN 1092 PN 10 ASME Class 150
Flange Surface Design:	EN 1092 Form A/B ASME RF, FF
Marking:	EN 19
Tightness check:	EN 12266 (Leckrate A) ISO 5208, Category 3
Temperature range:	-10°C to +90°C (depending on pressure, medium and material)
Operating pressure:	max. 6 bar

## FEATURES

- Shut-off and controlling of strong abrasive media, e.g. sand, cement, flue ash
- High abrasion strength of valve disc and seal
- Two-part body
- Triple shaft bearings prevent shaft deflection and guarantee optimum guidance even after many years of operational service
- Absolutely tight sealing with flow in either direction
- Can be installed in any desired position
- Maintenance-free
- Can be disassembled, material specific recycling possible

## GENERAL APPLICATIONS

- Bulk handling technology
- Weighing technology
- Pneumatic conveying systems



93 699 46 04



pedidos@suministrosrado.com ww.suministrosrado.com



Double-Zanged butterfly valve in double-eccentric construction. Reliable sealing even with extreme temperature and pressure conditions.

#### TECHNICAL DATA

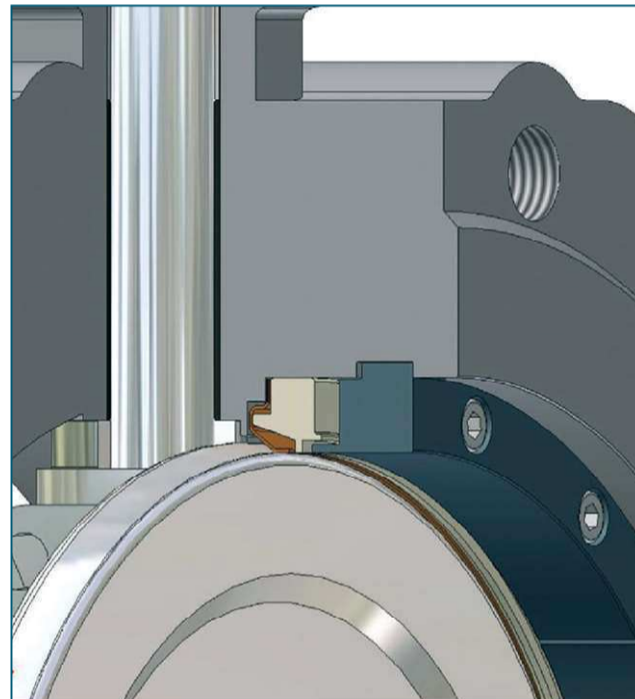
Nominal diameter:	DN 80 - DN 600
Face-to-face:	EN 558 Series 13 others upon request
Flange accommodation:	EN 1092 PN 10/16/25/40 ASME Class 150 ASME Class 300 AS 4087 PN 16/21
Flange Surface Design:	EN 1092 Form A/B ASME RF, FF
Marking:	EN 19
Tightness check	
- for R-PTFE seat:	EN 12266 (Leakage rate A)
- for Inconel seat:	EN 12266 (Leakage rate B) ISO 5208, Category 3
Temperature range:	-60°C bis +600°C
Operating pressure:	≠ DN 150, 40 bar > DN 150, 25 bar
Vacuum:	up to 1mbar absolute

#### FEATURES

- Shut-off and control valve for gaseous and liquid media
- Disc has double-eccentric bearing
- Seat ring systems available: R-PTFE, Inconel and Fire Safe
- Maintenance-free
- Long service life, even at high switching frequencies
- Seal variants:
  - soft-sealing (R-PTFE) max. 230°C
  - metallic sealing (Inconel) max. 600°C
  - Fire safe (PTFE / Inconel) max. 200°C
- Fire safe BS 6755 Part 2, API 607 5th Edition

#### GENERAL APPLICATIONS:

- Chemical and petrochemical industry
- Hot water and steam systems
- District heat supply
- Vacuum systems
- Shipbuilding
- Gas process technology
- Heavy duty services



Sealing system with inside metallic thrust collar.



93 699 46 04



pedidos@suministrosrado.com [www.suministrosrado.com](http://www.suministrosrado.com)