

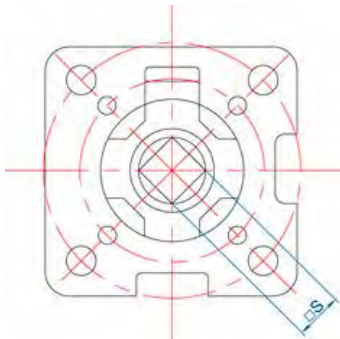
- Cuerpo fabricado en acero inoxidable CF8M (AISI-316)  
Body made of stainless steel CF8M (AISI-316)
- Bola fabricada en acero inoxidable CF8M (AISI-316)  
CF8M (AISI-316) stainless steel ball
- Asientos bola en PTFE  
Reinforced PTFE ball seats
- Rosca H BSP s/ norma ISO 228/1 (DIN 2599)  
F BSP Thread ISO 228/1 (DIN 2599)
- Brida conexión a depósito en acero inoxidable AISI-316L  
S.S. tank bottom flange AISI-316L

- Plataforma montaje directo ISO5211  
Direct mounting pad ISO 5211
- Paso total  
Full bore
- Presión máxima de trabajo: 63 Bar (1)  
Max. working pressure: 63 Bar (1000)
- Temperatura de trabajo: -20°C / 180°  
Working temperature: -20°C / 180°C

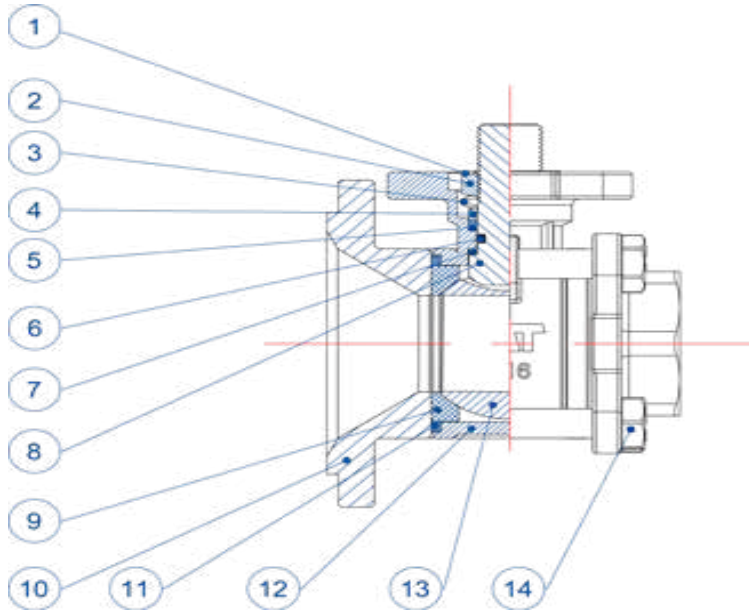
## DIMENSIONES / DIMENSIONS

| CÓDIGO     | MEDIDA | DN | ØD  | ØD  | ØK  | L   | H1    | €  |
|------------|--------|----|-----|-----|-----|-----|-------|----|
| CODE       | SIZE   | DN | ØD  | ØD  | ØK  | L   | H1    | €  |
| 310912-015 | 1/2"   | 15 | 70  | 60  | 66  | 42  | 4XM14 | 1  |
| 310912-020 | 3/4"   | 20 | 84  | 75  | 83  | 48  | 4XM14 | 1  |
| 310912-025 | 1"     | 25 | 95  | 80  | 83  | 55  | 4XM14 | 1  |
| 310912-032 | 1 1/4" | 32 | 110 | 90  | 106 | 60  | 4XM18 | 1  |
| 310912-040 | 1 1/2" | 38 | 130 | 110 | 110 | 70  | 4XM18 | 1  |
| 310912-050 | 2"     | 50 | 150 | 140 | 120 | 85  | 4XM18 | 1  |
| 310912-065 | 2 1/2" | 65 | 185 | 175 | 160 | 109 | 4XM18 | 1  |
| 310912-080 | 3"     | 76 | 200 | 185 | 170 | 118 | 8XM18 | 11 |

## DIMENSIONES ISO 5211 / FLANGE ISO 5211 DIMENSIONS



| MEDIDA | DN | ISO 5211 | S     | TORQUE |
|--------|----|----------|-------|--------|
| SIZE   | DN | ISO 5211 | S     | Nm     |
| 1/4"   | 8  | F03-F04  | 9x9   | 3-4    |
| 3/8"   | 10 | F03-F04  | 9x9   | 3-4    |
| 1/2"   | 15 | F03-F04  | 9x9   | 4-5    |
| 3/4"   | 20 | F03-F04  | 9x9   | 5-7    |
| 1"     | 25 | F04-F05  | 11x11 | 12-14  |
| 1 1/4" | 32 | F04-F05  | 11x11 | 12-14  |
| 1 1/2" | 40 | F05-F07  | 14x14 | 20-25  |
| 2"     | 50 | F05-F07  | 14x14 | 25-30  |
| 2 1/2" | 65 | F07-F10  | 17x17 | 35-40  |
| 3"     | 80 | F07-F10  | 17x17 | 60-65  |



## MATERIALES / MATERIALS

| Nº | NOMBRE                            | MATERIALES                       | CALIDAD  |
|----|-----------------------------------|----------------------------------|----------|
| Nº | NAME                              | MATERIALS                        | QUALITY  |
| 1  | Arandela posicion Location washer | Acero inoxidable Stainless steel | AISI 304 |
| 2  | Tuerca cierre Seal nut            | Acero inoxidable Stainless steel | AISI 304 |
| 3  | Arandela bellevile Spring washer  | Acero inoxidable Stainless steel | AISI 304 |
| 4  | Prensaestopa Packing gland        | Acero inoxidable Stainless steel | AISI 304 |
| 5  | Empaquetadura eje Stem packing    | PTFE                             | PTFE     |
| 6  | Junta tórica O-ring               | FKM                              | FKM      |
| 7  | Junta eje Stem gasket             | PTFE                             | PTFE     |
| 8  | Eje Stem                          | Acero inoxidable Stainless steel | AISI 304 |
| 9  | Asiento bola Ball seat            | PTFE                             | PTFE     |
| 10 | Brida depósito Tank flange        | Acero inoxidable Stainless steel | AISI 316 |
| 11 | Junta cuerpo Body gasket          | PTFE                             | PTFE     |
| 12 | Cuerpo Body                       | Acero inoxidable Stainless steel | AISI 316 |
| 13 | Bola Ball                         | Acero inoxidable Stainless steel | AISI 316 |
| 14 | Tornillo Stud                     | Acero inoxidable Stainless steel | AISI 304 |